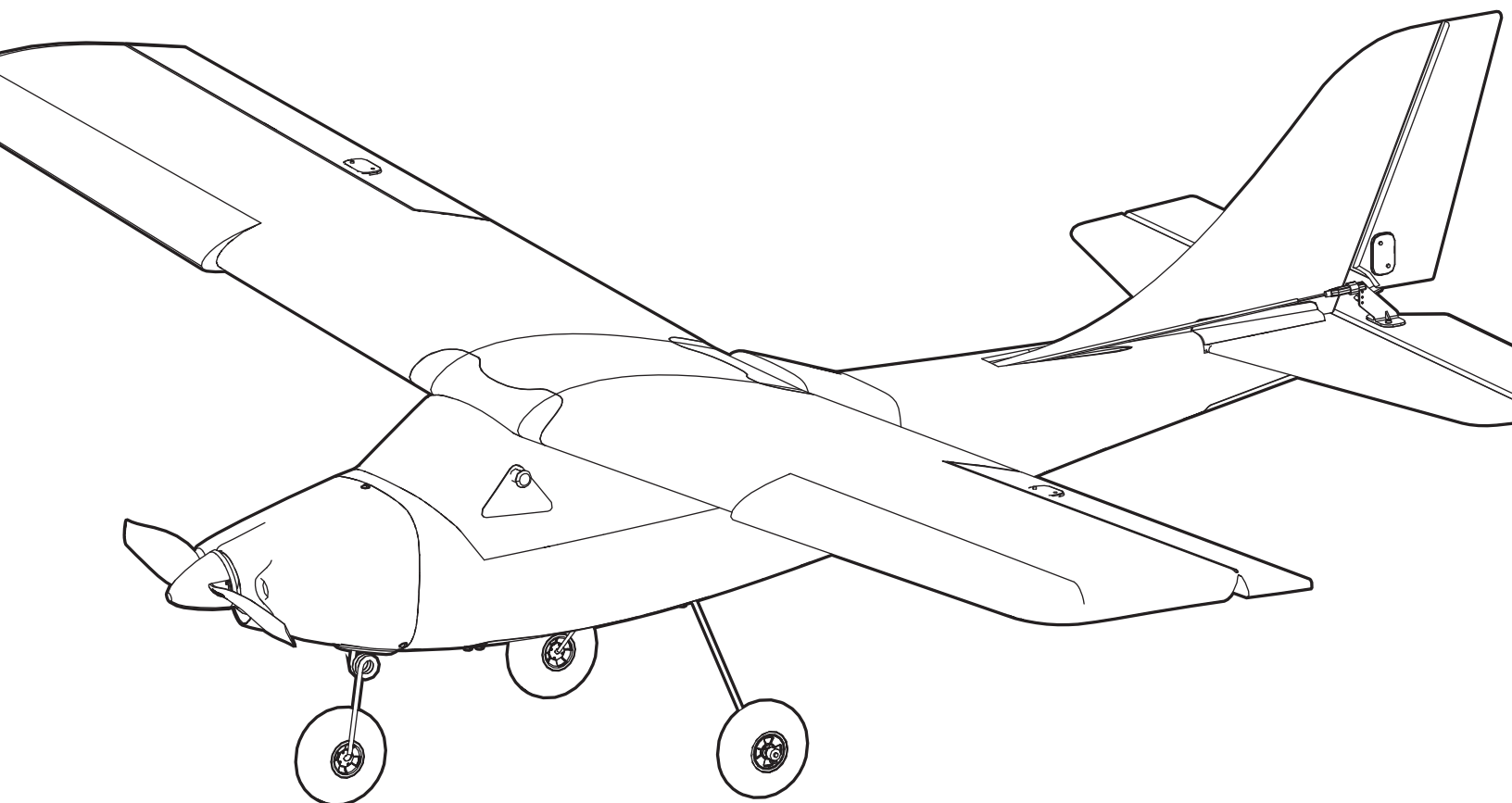


# Apprentice® S 2 1.2m



Scan the QR code and select the Manuals and Support quick links from the product page for the most up-to-date manual information.

Scannen Sie den QR-Code und wählen Sie auf der Produktseite die Quicklinks Handbücher und Unterstützung, um die aktuellsten Informationen zu Handbücher.

Scannez le code QR et sélectionnez les liens rapides Manuals and Support sur la page du produit pour obtenir les informations les plus récentes sur le manuel.

Scannerizzare il codice QR e selezionare i Link veloci Manuali e Supporto dalla pagina del prodotto per le informazioni manuali più aggiornate.



HBZ310001, HBZ315001

**Instruction Manual | Bedienungsanleitung**  
**Manuel d'utilisation | Manuale di Istruzioni**

**NOTICE**

All instructions, warranties and other collateral documents are subject to change at the sole discretion of Horizon Hobby, LLC. For up-to-date product literature, visit [www.horizonhobby.com](http://www.horizonhobby.com) or [www.towerhobbies.com](http://www.towerhobbies.com) and click on the support or resources tab for this product.


**Meaning of Special Language:**

The following terms are used throughout the product literature to indicate various levels of potential harm when operating this product:

**WARNING:** Procedures, which if not properly followed, create the probability of property damage, collateral damage, and serious injury OR create a high probability of superficial injury.

**CAUTION:** Procedures, which if not properly followed, create the probability of physical property damage AND a possibility of serious injury.

**NOTICE:** Procedures, which if not properly followed, create a possibility of physical property damage AND little or no possibility of injury.

 **WARNING:** Read the ENTIRE instruction manual to become familiar with the features of the product before operating. Failure to operate the product correctly can result in damage to the product, personal property and cause serious injury.


This is a sophisticated hobby product. It must be operated with caution and common sense and requires some basic mechanical ability. Failure to operate this Product in a safe and responsible manner could result in injury or damage to the product or other property. This product is not intended for use by children without direct adult supervision. Do not use with incompatible components or alter this product in any way outside of the instructions provided by Horizon Hobby, LLC. This manual contains instructions for safety, operation and maintenance. It is essential to read and follow all the instructions and warnings in the manual, prior to assembly, setup or use, in order to operate correctly and avoid damage or serious injury.

**AGE RECOMMENDATION: Not for children under 14 years. This is not a toy.**

## Safety Precautions and Warnings

As the user of this product, you are solely responsible for operating in a manner that does not endanger yourself and others or result in damage to the product or the property of others.

- Always keep a safe distance in all directions around your model to avoid collisions or injury. This model is controlled by a radio signal subject to interference from many sources outside your control. Interference can cause momentary loss of control.
- Always operate your model in open spaces away from full-size vehicles, traffic and people.
- Always carefully follow the directions and warnings for this and any optional support equipment (chargers, rechargeable battery packs, etc.).
- Always keep all chemicals, small parts and anything electrical out of the reach of children.
- Always avoid water exposure to all equipment not specifically designed and protected for this purpose. Moisture causes damage to electronics.
- Never place any portion of the model in your mouth as it could cause serious injury or even death.
- Never operate your model with low transmitter batteries.
- Always keep aircraft in sight and under control.
- Always use fully charged batteries.
- Always keep transmitter powered on while aircraft is powered.
- Always remove batteries before disassembly.
- Always keep moving parts clean.
- Always keep parts dry.
- Always let parts cool after use before touching.
- Always remove batteries after use.
- Always ensure failsafe is properly set before flying.
- Never operate aircraft with damaged wiring.
- Never touch moving parts.

 **WARNING AGAINST COUNTERFEIT PRODUCTS:** If you ever need to replace your Spektrum receiver found in a Horizon Hobby product, always purchase from Horizon Hobby, LLC or a Horizon Hobby authorized dealer to ensure authentic high-quality Spektrum product. Horizon Hobby, LLC disclaims all support and warranty with regards, but not limited to, compatibility and performance of counterfeit products or products claiming compatibility with DSM or Spektrum technology.

## Registration

Register your product today to join our mailing list and keep up to date with product updates, offers and Hobby Zone® news.



## Table of Contents

Registration .....	3
Completion Guide .....	3
Required Tools .....	3
Aircraft Components .....	4
Aircraft Assembly .....	5
Install the Transmitter Batteries .....	7
Installing the Flight Battery and Arming Electronic Speed Control (ESC) .....	8
Center of Gravity (CG) .....	9
Control Direction Test .....	10
Before Your First Flight .....	10
Choose a Flying Field .....	11
Range Test .....	11
Flight Control .....	12
Sensor Assisted Flight Envelope (SAFE) Technology .....	13
Preflight Checklist .....	15
Flying .....	15
Trimming the Aircraft .....	17
Post Flight .....	18
Transmitter and Receiver Binding .....	18
Flight Training .....	19
Optional Transmitter Setup .....	20
Optional Floats (Water Takeoff and Landings) .....	21
Service and Repairs .....	22
Trouble Shooting Guide for SAFE Technology .....	23
Trouble Shooting Guide .....	23
Replacement Parts .....	24
Recommended Parts .....	24
Optional Parts .....	24
Hardware .....	24
Glossary of Important Terms .....	25
Important Federal Aviation Administration (FAA) Information .....	25
AMA National Model Aircraft Safety Code .....	26
Limited Warranty .....	26
Contact Information .....	27
FCC Information .....	27
IC Information .....	27
Compliance Information for the European Union .....	28

Specifications	
<b>Wingspan</b>	48" (1220mm)
<b>Length</b>	34.2" (869mm)
<b>Weight</b>	Without Battery: 22.4oz (639g) With Recommended 3S 1300mAh Flight Battery: 26.1oz (740g)

Included Equipment	
<b>Transmitter</b>	Spektrum™ DXS 2.4GHz (SPMR1010)
<b>Transmitter Batteries</b>	4 AA Alkaline
<b>Receiver</b>	Spektrum™ AR631 6CH AS3X/SAFE Receiver (SPMAR631)
<b>ESC</b>	30-Amp 3S/4S ESC with Telemetry (EFLA1030FB)
<b>Motor</b>	2832-1300Kv 14-pole (SPMXAM1900)
<b>Propeller</b>	8.25 x 5.5 (EFLP82555)
<b>Servos</b>	(2) Aileron, A381 9g Sub-Micro (SPMSA381) (1) Elevator, A382 14g Sub-Micro MG (SPMSA382) (1) Rudder/Nose wheel, A382 14g Sub-Micro MG (SPMSA382)

Required Equipment	
<b>Flight Battery</b>	3S 11.1V 1300mAh LiPo Battery with IC3® Connector
<b>Battery Charger</b>	3S LiPo Battery Compatible

Recommended Equipment	
SPMXPSA200	Smart G2 Air Powerstage 2

Optional Accessories	
HBZ3113	Float Mounting Wires: MiniApprentice
HBZ7390	Float Set: Super Cub LP
SPMR6775	NX6 6 Ch Transmitter Only
RFL1205	RealFlight Trainer Edition RC Flight Simulator
SPMWS2000	WS2000 Wireless Simulator USB Dongle
SPMXPSA3	Smart Powerstage Aircraft 3S Bundle
SPMXC1070	Smart S150 AC/DC Charger, 1x50W
SPMXBC100	SMART Battery & Servo Tester

## Completion Guide

Scan the QR code to go to the product completion guide for information on the recommended Powerstage bundle as well as other compatible batteries and chargers.

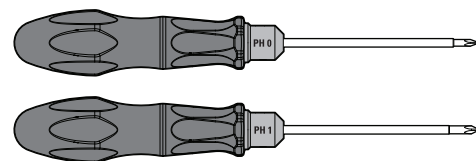


HBZ310001



HBZ315001

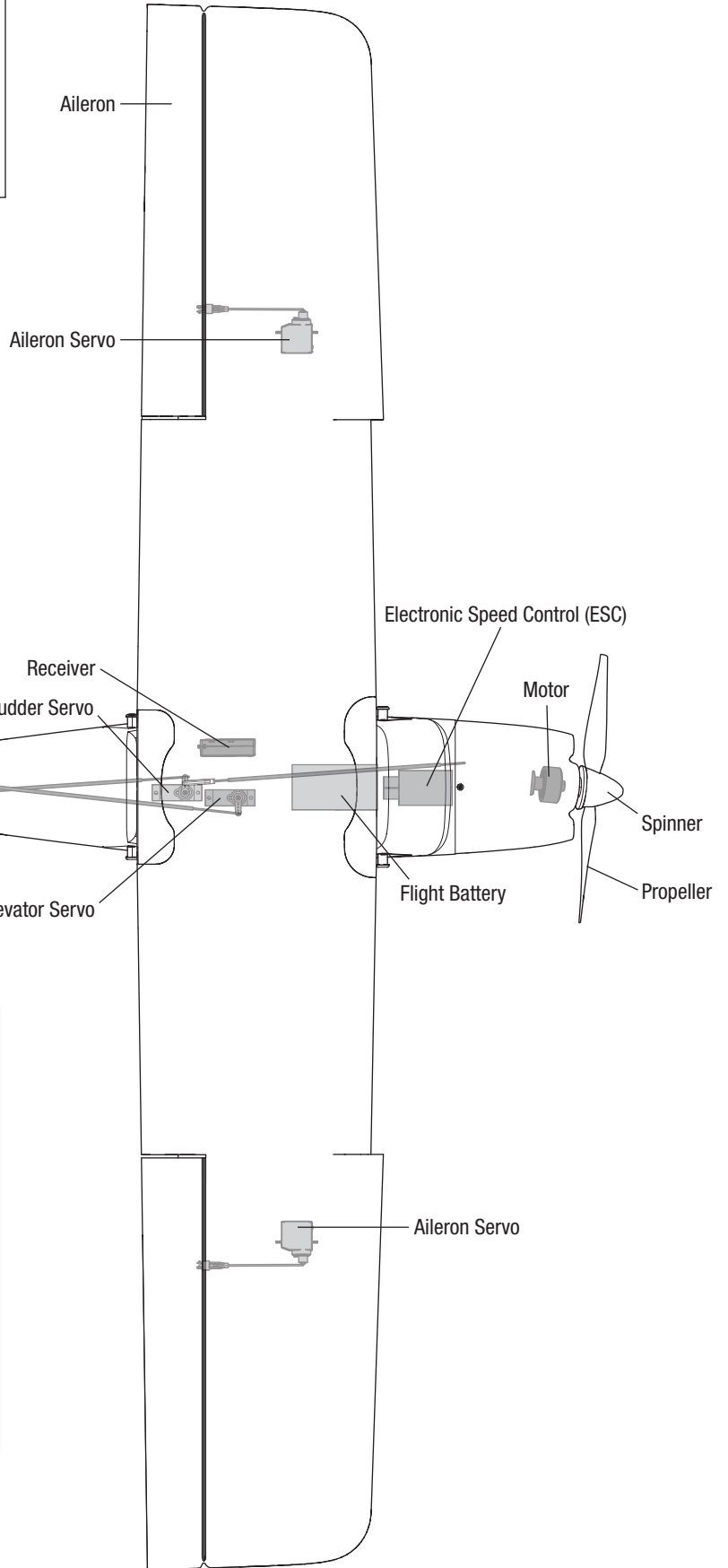
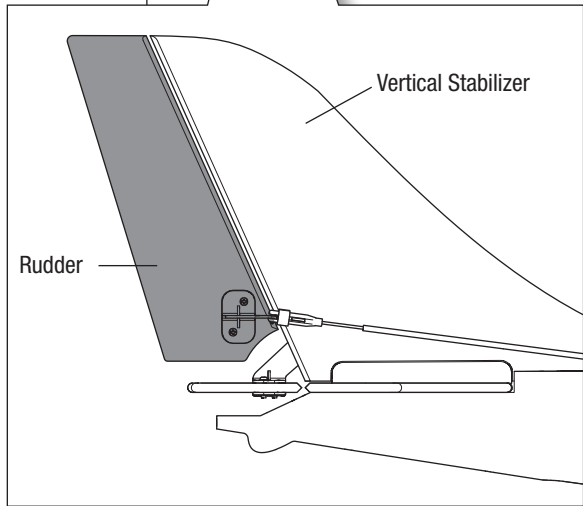
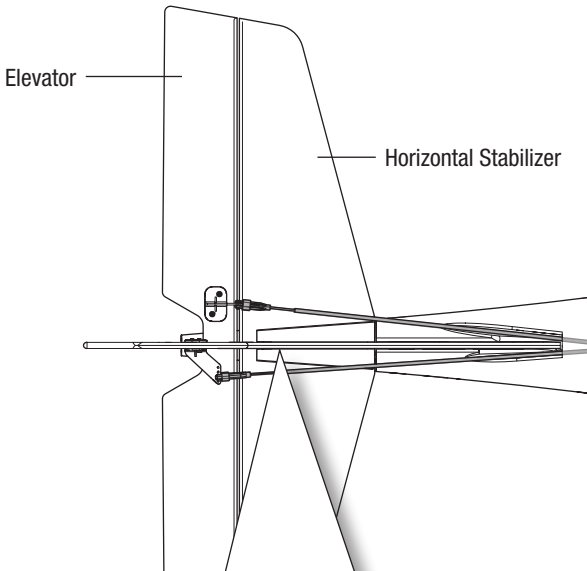
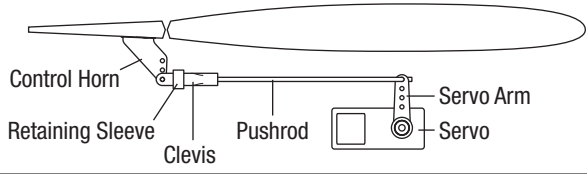
## Required Tools



- Phillips Screwdrivers (PH#0, PH#1)

# Aircraft Components

## Typical Control Components



## Aircraft Assembly

We recommend reading each section of this manual before proceeding with assembly per the steps outlined. We also recommend watching the entire assembly video by scanning this QR code or using this URL: [www.horizonhobby.cc/ApprenticeS2assembly](http://www.horizonhobby.cc/ApprenticeS2assembly).



Assembly Video

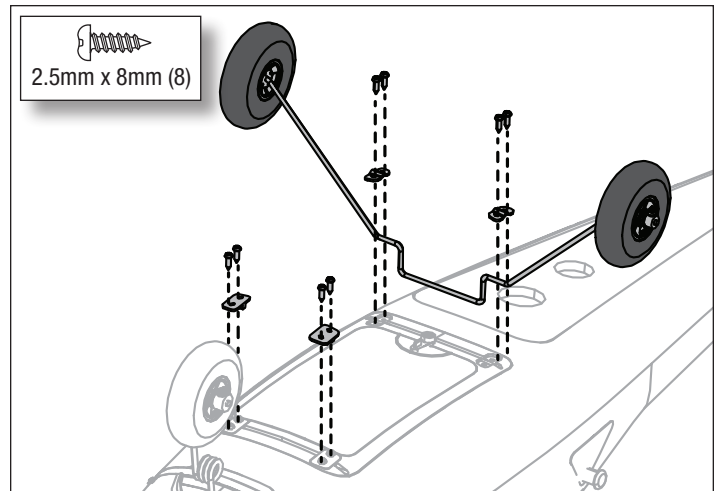
### Landing Gear Installation

The Apprentice S 2 1.2m includes hardware options for wheel installation as well as the necessary wire struts for the optional float installation (floats are not included).

1. Install the main landing gear assembly into the slot on the bottom of the fuselage.
2. Install the two landing gear retainers over the landing gear assembly as shown, securing them with four 2.5mm x 8mm Phillips screws and a PH#1 screwdriver.

**IMPORTANT:** Do not overtighten the screws in the plastic. Only tighten the screws until the retainers are firmly seated and the landing gear is not loose.

3. Install the optional float set strut retainers, securing them with four 2.5mm x 8mm Phillips screws and a PH#1 screwdriver, to ensure the retainers do not become lost. These retainers are required for installation of the optional float set mount wires.



### Tail Installation

We recommend watching the "Tail Installation" chapter/section of the assembly video by scanning this QR code or using this URL: [www.horizonhobby.cc/ApprenticeS2assembly](http://www.horizonhobby.cc/ApprenticeS2assembly).

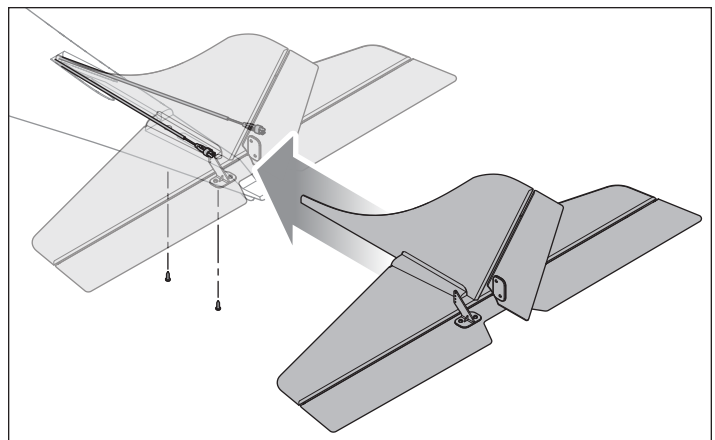
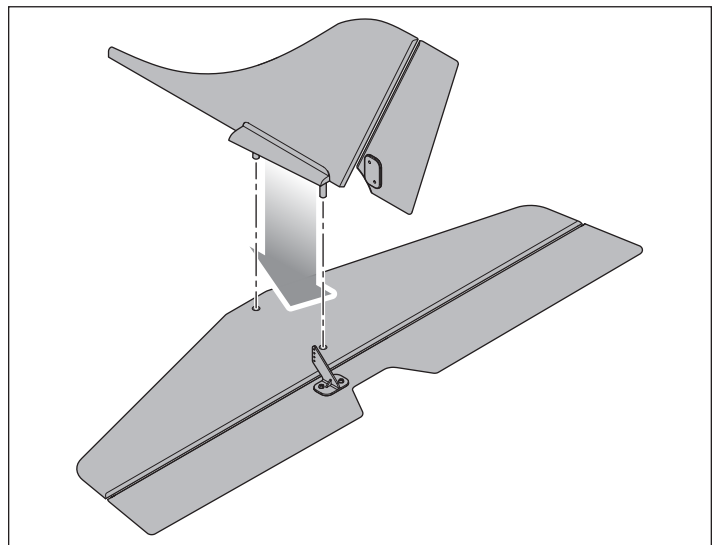
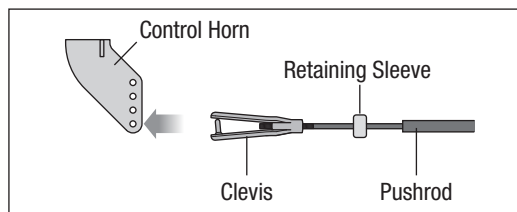


Assembly Video

1. Insert the two pins on the base of the vertical stabilizer through the holes in the horizontal stabilizer as shown.
2. Guide the tail assembly under and between the control linkages, and insert the vertical stabilizer pins into the corresponding holes in the rear of the fuselage.
3. From the bottom of the fuselage, using a PH#1 screwdriver, install two 2.5mm x 8mm Phillips screws through the holes in the fuselage and into the vertical stabilizer pins.

**IMPORTANT:** Do not overtighten the screws in the plastic. Only tighten the screws until the vertical and horizontal stabilizers are firmly seated.

4. Attach the clevises of the rudder and elevator control horns by gently prying open the clevis, inserting the clevis pin through the outermost hole of the control horn, and closing the side of the clevis over the clevis pin, capturing the control horn between it.
5. Slide the retaining sleeve over the clevis to keep the clevis sides from opening.



## Wing Installation

We recommend watching the “Wing Installation” chapter/section of the assembly video by scanning this QR code or using this URL: [www.horizonhobby.cc/ApprenticeS2assembly](http://www.horizonhobby.cc/ApprenticeS2assembly).



Assembly Video

The wing of the Apprentice S 2 1.2m is secured to the fuselage using four of the included rubber bands. This method of installation allows the wing to move or separate from the fuselage in the event of a hard landing or crash, minimizing damage to the airframe. The use of more than four rubber bands is not recommended, as using additional bands may cause the wing to be held too securely to the fuselage.

1. Connect the aileron servo connectors to the Y-harness, marked “AIL”, in the fuselage. The left and right servos can be connected to either side of the Y-harness. Ensure the Y-harness is connected to port 2 of the receiver. Correct operation of the SAFE system requires connection of both ailerons to the included Y-harness and port 2 of the receiver.

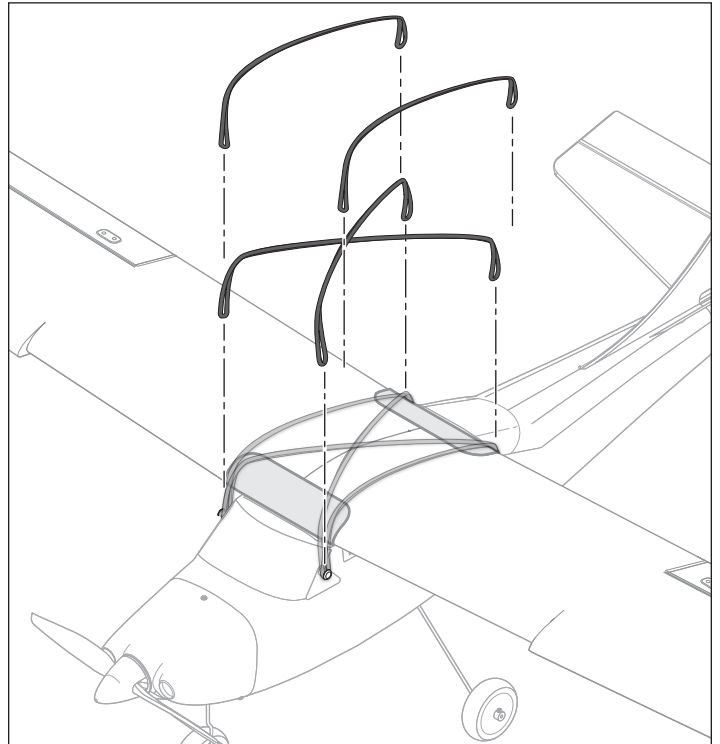
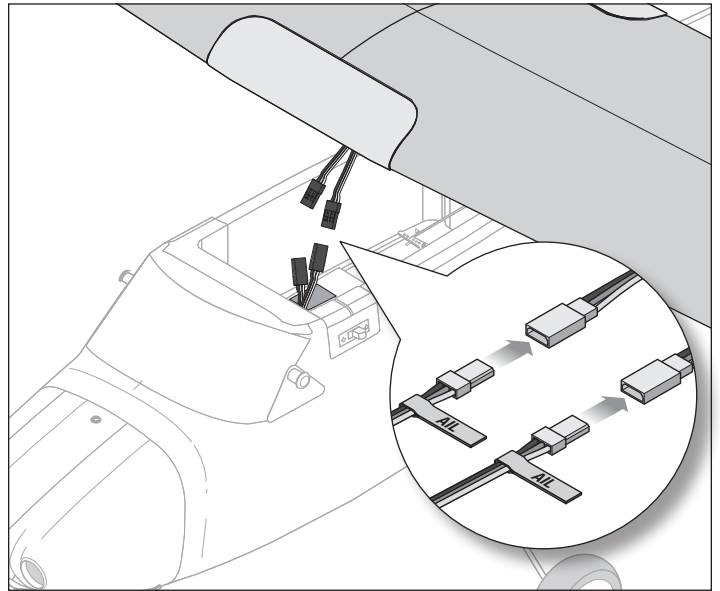
**IMPORTANT:** Ensure the servo connectors and the Y-harness are connected with the correct polarity. The connectors have a small bevel on two corners which must align with the corresponding bevel in the Y-harness connectors. In addition, the wire colors should match between the servos and Y-harness.

2. Center the wing on the fuselage. The bottom of the wing should sit flat against the top of the fuselage wing saddle.

**IMPORTANT:** Ensure the aileron servo wires are not pinched between the wing and fuselage.

3. Secure the wing to the fuselage by installing four rubber bands between the front and back fuselage pins and over the top of the wing.

**TIP:** Install each of the first two bands diagonally, starting from the front pin to the rear pin on the opposite side of the fuselage. Install the last two bands starting from the front pin straight back to the rear pin on the same side of the fuselage.



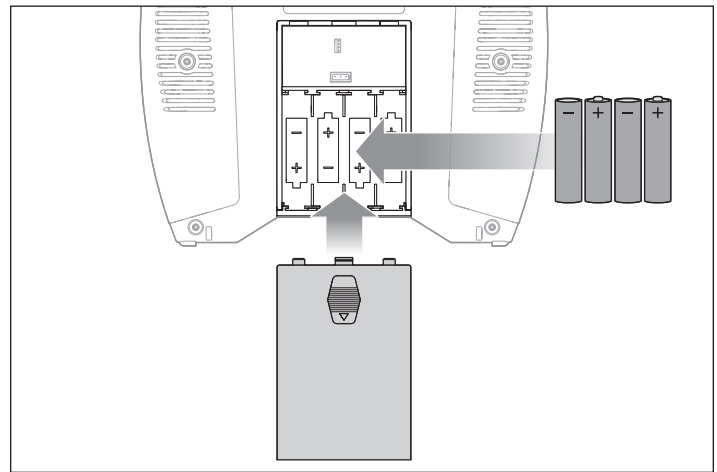
## Install the Transmitter Batteries

1. Remove the battery cover.
2. Install the included four AA batteries, noting proper polarity.
3. Reinstall the battery cover.

### Low Battery Alarm

When the transmitter battery voltage drops below 4.7 volts, an alarm sounds and the voltage LEDs flash. Replace the batteries immediately. If the alarm sounds while flying, land your aircraft as soon as possible.

**CAUTION:** Do not attempt to recharge the included AA batteries. These batteries are not rechargeable. Charging non-rechargeable batteries may cause the batteries to burst, resulting in injury to persons and/or damage to property.



### Transmitter Switches and LEDs

**Button A = Trainer/Bind/Panic Button:** This button is used to control the Trainer, Bind and Panic Recovery Mode functions.

See the Flight Training section for information on using the transmitter as part of a "buddy box" training system.

See the Binding section for information on re-binding your transmitter and aircraft if necessary. The included transmitter comes bound to the receiver/aircraft from the factory, therefore binding is not typically necessary.

See the Sensor Assisted Flight Envelope (SAFE) Technology section for information about panic recovery mode.

**Switch F = Hi/Lo Rate Switch:** This switch supports high and low rate functions on aileron, elevator and rudder channels.

We recommend using low rates when first learning to fly or for smooth and more precise maneuvering, and high rates for more aggressive maneuvers and aerobatics.

In the upper, or "HI" position, servo travel is 100% on these channels. In the lower, or "LO," position, servo travel decreases to 70%.

**Switch B = Flight Mode Switch:** This switch is used to select the SAFE flight mode. See the Sensor Assisted Flight Envelope (SAFE) Technology section for information about the various SAFE flight modes.

**Switch H = Throttle Cut Switch:** This switch activates throttle cut.

With the throttle cut on (switch position 1), throttle input from the throttle stick is deactivated. This safety feature ensures any accidental bump of the throttle stick will not activate the motor while the flight battery is connected.

With the throttle cut off (switch position 0), any position of the throttle stick above the lowest setting will activate the aircraft motor.

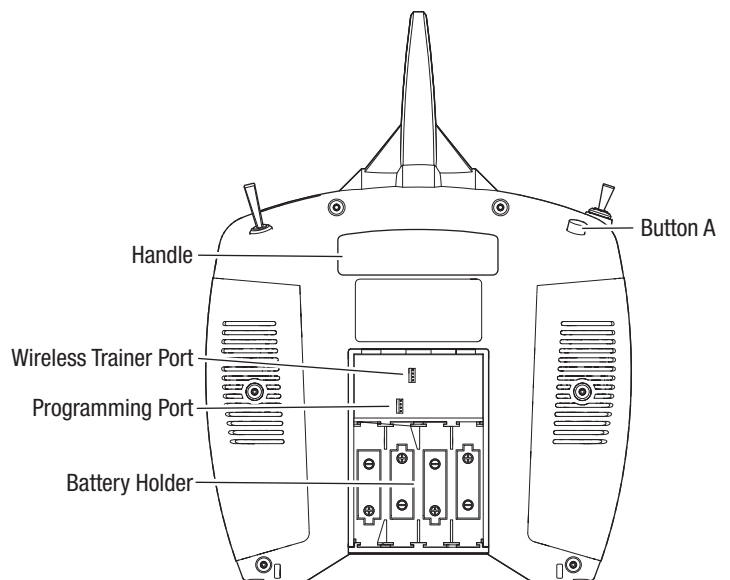
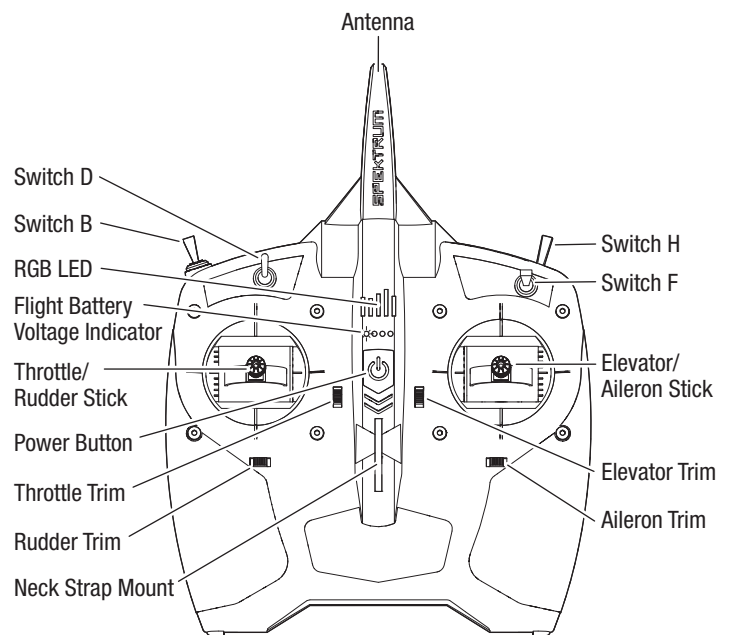
**NOTICE:** Always ensure the throttle stick is at the lowest setting before switching the throttle cut function off. Failure to do so will result in the motor activating.

**Switch D = Channel 7 Switch:** This switch is not used for this aircraft.

### RGB LED and Audible Indications:

**Flashing with beeps:** The transmitter is in bind mode, because the bind button was held down while the transmitter was powered on. See the Binding section for more information.

**Pulsates with one low tone beep every 2 seconds:** The transmitter battery voltage has dropped below 4.7 volts. Replace the transmitter batteries immediately. If this happens while flying, land the aircraft as soon as possible.



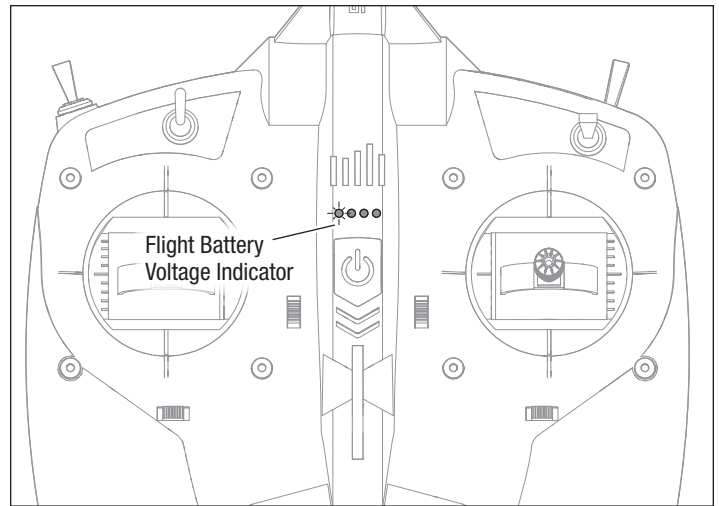
## Flight Battery Voltage Indicator

The included DXS transmitter is equipped with a flight battery voltage indicator feature that works with compatible Smart technology receivers, flight controllers and telemetry-capable ESCs. This Smart technology feature gives a visual representation of the approximate flight battery voltage/power remaining via the four LED indicators on the transmitter.

- When the battery is fully charged, all four LEDs glow solid.
- When the throttle is increased, the voltage of the battery drops, causing the LEDs to indicate less voltage, via fewer LEDs glowing solid or flashing. The useable capacity of the battery remains.
- When the throttle is decreased, the load on the battery decreases and the voltage of the battery increases, indicated by more LEDs glowing solid or flashing. Over time less of the useable capacity of the battery remains and less power is available, indicated by fewer LEDs glowing solid or flashing.
- When the last LED begins to flash, the flight battery low voltage alarm on the transmitter sounds before the low voltage cutoff function is triggered in the aircraft ESC (see the Flying section for a description of the low voltage cutoff function). The flight battery low voltage alarm sounds for 25 seconds. If the throttle is lowered and the flight battery voltage recovers because enough useable capacity remains in the flight battery, the alarm will stop before 25 seconds. In either case, land the aircraft as soon as practical after the alarm sounds.

To reset the flight battery low voltage warning:

1. After landing, disconnect the flight battery from the aircraft for at least 15 seconds, or until the flight battery voltage indicator LEDs on the DXS transmitter go out.
2. Connect a fully charged battery to the aircraft. The flight battery voltage indicator resets prior to the next flight.



## Installing the Flight Battery and Arming Electronic Speed Control (ESC)

**CAUTION:** Always keep hands away from the propeller. When armed, the motor will turn the propeller in response to any throttle movement.

1. Lower the transmitter throttle stick and turn on throttle cut (switch H, position 1). With the throttle cut on, throttle input from the throttle stick is deactivated. This safety feature ensures any accidental bump of the throttle stick will not activate the motor while the flight battery is connected.

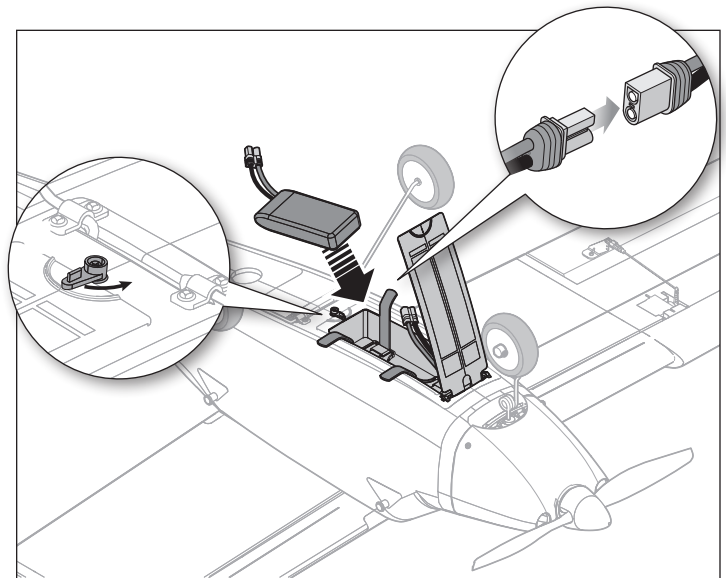
**IMPORTANT:** If you connect the battery while the throttle is not at its lowest position, the ESC will not arm. Reduce throttle to the lowest setting for the ESC to arm.

2. Power on the transmitter, and wait at least 5 seconds before proceeding.
3. Rest the aircraft on a flat surface with the landing gear facing up.
4. Turn the battery compartment latch and remove the battery hatch.
5. Secure the flight battery in the battery compartment using the hook and loop straps so the aircraft is balanced at the correct center of gravity (CG). See the Center of Gravity section for information on measuring the CG.
6. Connect the flight battery to the ESC connector, noting proper polarity.
7. Replace the battery hatch, locking it in place with the battery compartment latch.
8. Set the aircraft upright on its landing gear. Keep the aircraft immobile while the SAFE system initializes.
9. After the SAFE system initializes, the control surfaces will move back and forth, then come to neutral to indicate the SAFE system has initialized and is ready to operate.

**IMPORTANT:** If the aircraft is moved and does not complete initialization within approximately 30 seconds, disconnect and reconnect the flight battery to re-initialize the system.

**IMPORTANT:** AS3X technology in Experienced Mode is not active until you advance the throttle past 25%. Once it is active, the control surfaces may move on the aircraft. This is normal. The AS3X technology will remain active until the ESC is disconnected.

**CAUTION:** Always disconnect the Li-Po flight battery from the aircraft receiver when not flying to avoid over-discharging the battery.





## Center of Gravity (CG)

An aircraft with the correct CG is balanced at a calculated point for safe and stable flight. When flying in Beginner mode with the aircraft balanced properly, the aircraft should climb gradually at full power and fly level at 50–60% power with no elevator input.

If the CG is too far forward (nose heavy), up elevator is required to fly level at 50%–60% power.

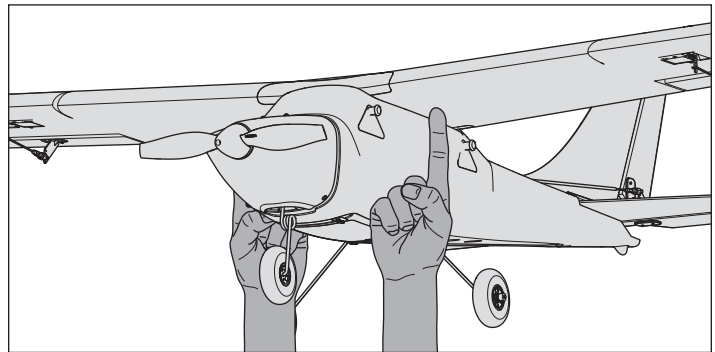
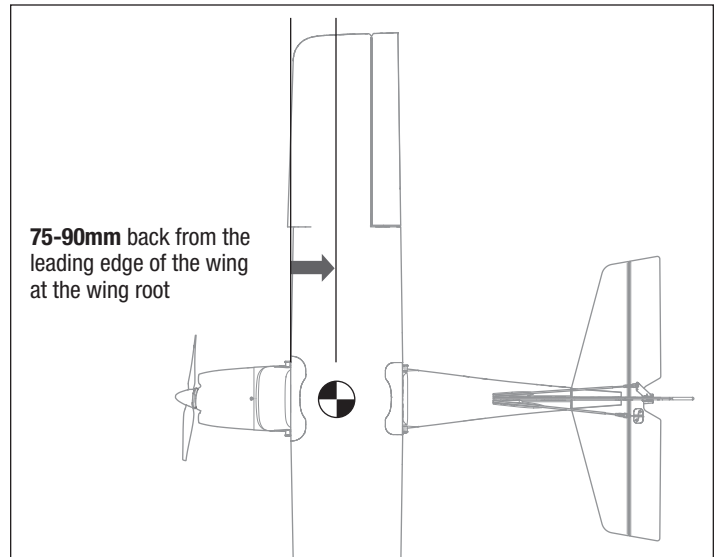
If the aircraft CG is too far aft (tail heavy), down elevator is required to fly level. After installing the battery (in the recommended position) and before powering on the ESC, verify the CG by supporting the aircraft upright on your fingertips 75–90mm back from the front edge of the wing, at the wing root.

- If the nose tilts down, move the flight battery back until the aircraft balances.
- If the nose tilts up, move the flight battery forward until the aircraft balances.

Scan the QR code to view the assembly video and the proper method to balance the aircraft.



Assembly Video



## Control Direction Test

**WARNING:** Do not perform this or any other equipment test without turning on throttle cut. Serious injury or property damage could result from the motor starting inadvertently.

If the control surfaces do not respond as shown, **DO NOT FLY**. Refer to the *Troubleshooting Guide* for more information. If you need more assistance, contact the appropriate Horizon Hobby Product Support department.

1. Power on the transmitter.
2. Turn on throttle cut (switch H, position 1).
3. Set the flight mode switch to Experienced Mode (switch B, position 2). **IMPORTANT:** Do NOT check the controls in the Beginner or Intermediate Modes (switch B, position 0 or 1).
4. Place the model on level ground away from obstacles.
5. Power on the aircraft, and wait for it to fully initialize.
6. Move the sticks on the transmitter as shown in the table and observe the control surfaces on the aircraft. Ensure the aircraft control surfaces respond as shown and return to neutral when the control input is released.
7. Check for any binding in the control surfaces.
8. With the aircraft on a smooth surface, roll the aircraft forward by hand. Push the rudder trim button on the transmitter left or right until the aircraft tracks straight.

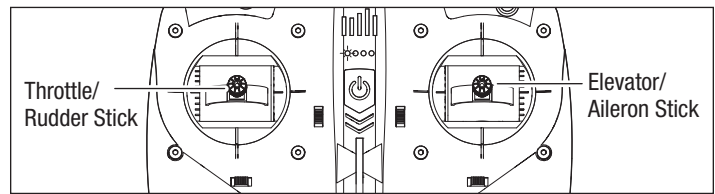
**TIP:** The transmitter emits a faint beep with each click of the trim buttons in either direction. Holding the button in either direction quickly adjusts the trim several steps until the button is released or until the trim reaches the end of its travel. If the trim button does not beep when clicked, the trim is at the far end of its travel. Center trim is indicated by a slightly louder beep.

### Centering the Control Surfaces

After checking for correct control surface movement and nose wheel alignment, release the transmitter sticks. Check each of the control surfaces to make sure they are centered.

For any surface that is not centered:

1. Slide the retaining sleeve off the clevis.
2. Gently pry the clevis open.
3. Slide the clevis pin out of the control horn.
4. Rotate the clevis on the pushrod to lengthen or shorten the length of the pushrod to adjust the center position of the surface.
5. When the correct position is achieved, slide the clevis pin back into the correct control horn hole.
6. Close the clevis, capturing the control horn between the sides.
7. Slide the retaining sleeve over the clevis to keep the clevis from opening.



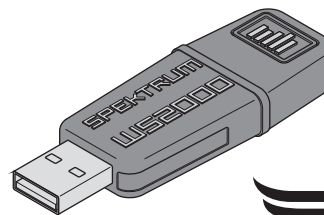
	Transmitter Command	Control Surface Response (viewed from the rear)
Elevator		
Ailerons		
Rudder		

## Before Your First Flight

Before attempting to fly this aircraft for the first time, we recommend using the RealFlight Trainer Edition RC Flight Simulator (RFL1205, sold separately) and a Spektrum WS2000 Wireless Simulator Dongle (SPMWS2000, sold separately) along with the DXS transmitter included with the RTF Basic version to learn and practice the basics of flying. Featuring six popular Horizon Hobby trainer aircraft and built-in Virtual Flight Instructor lessons, new pilots can learn to fly successfully by practicing on a PC at home or on a laptop just about anywhere else!

We also encourage you to connect with experienced RC pilots in your area through hobby shops or at designated flying fields. And for those located in the United States, we recommend joining a national organization such as the Academy of Model Aeronautics (AMA). The AMA can provide information on local clubs, instructors and established flying sites in your area in addition to insurance coverage. Visit [www.modelaircraft.org](http://www.modelaircraft.org) for more information.

**RF** TRAINER  
EDITION  
REALFLIGHT



RealFlight  
Trainer Edition



## Choose a Flying Field

### Consult local laws and ordinances before choosing a location to fly your aircraft.

In order to have the most success and to protect your property and aircraft, it is very important to select a place to fly that is very open. We recommend consulting your local hobby shop for information on local flying fields and clubs. For customers in the United States, visit the Academy of Model Aeronautics at [www.modelaircraft.org](http://www.modelaircraft.org) for more information on flying clubs.

Remember, this aircraft can reach significant speeds when flying and will cover ground very quickly. Plan on flying in an area that gives you more space than you think you need, especially during the initial flights.

## Range Test

**WARNING:** While holding the aircraft during the range test, always keep body parts and loose items away from the motor. Failure to do so could cause personal injury.

Before each flying session, and especially with a new model, you should perform a range check.

The included Spektrum DXS transmitter incorporates a range check mode to reduce the output power of the transmitter. Follow the directions below to enter range check mode for the DXS transmitter:

1. With the throttle stick and trim set to the lowest setting, power on the transmitter for at least 5 seconds.
2. With the help of an assistant to hold the aircraft, connect the aircraft battery to the ESC connector. Keep the aircraft immobile for 5 seconds.
3. Face the model, holding the transmitter in your normal flying position.
4. Press and hold the bind button (button A) and toggle the HI/LO rate switch (switch F) up and down twice. The transmitter RGB LED will flash and the alarm will sound, indicating the system is in range check mode. Do not release the bind button until the range check is complete.

**IMPORTANT:** You must hold the bind button through the entire range check process. Releasing the button will exit range check mode.

5. With the model firmly restrained on the ground, stand approximately 30 paces away from the model.

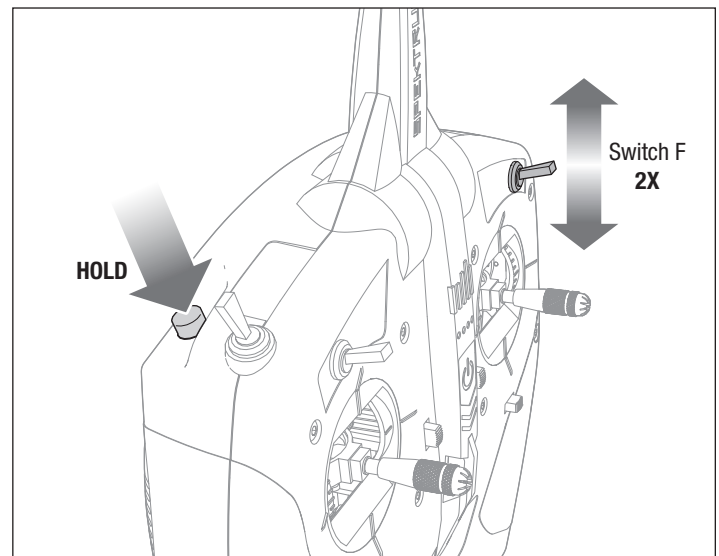
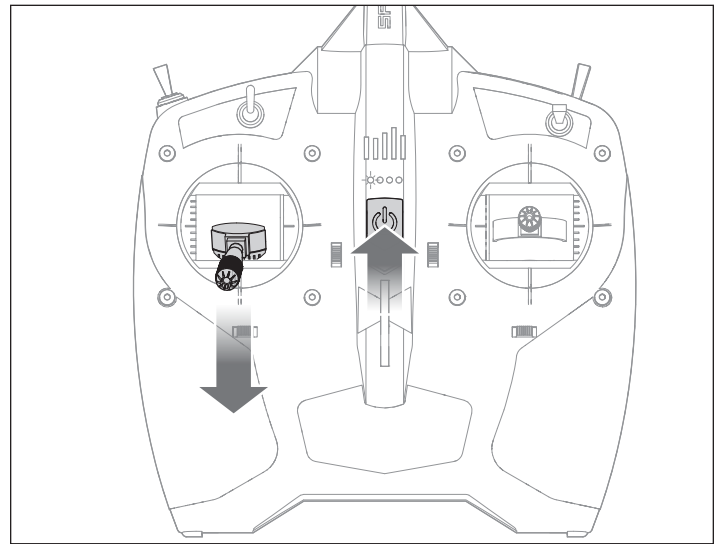
**TIP:** In some aircraft, when the model is placed on the ground, the antenna(s) can be within inches of the ground. Close proximity of the antenna(s) to the ground can reduce the effectiveness of the range check. If you experience issues during the range check, restrain the model on a non-conductive stand or table up to 2ft (60cm) above the ground, then range check the system again.

6. Move the transmitter rudder, elevator, aileron and throttle controls to ensure they operate smoothly at approximately 30 paces. If control issues exist, do not attempt to fly. Refer to the Warranty and Service Contact Information table at the end of this manual to contact Horizon Hobby product support.
7. When the range check is successfully completed, release the bind button to exit range check mode.

**CAUTION:** Due to reduced output power of the transmitter, NEVER attempt to fly while the transmitter is in range check mode. Loss of control will occur.

### The chosen flying site should:

- Have a minimum of 1300 feet (400m) of clear space in all directions.
- Be free of trees, buildings, cars, power lines or anything that could entangle your aircraft or interfere with your line of sight.
- Be clear of people and pets.



## Flight Control

**IMPORTANT:** Even though SAFE technology is a very helpful tool, the aircraft still needs to be flown manually. If incorrect input is given at lower altitudes or at slower speeds, the aircraft can crash. Study these control inputs and the aircraft response to each carefully before attempting your first flight. For first flights, set the SAFE flight mode switch to Beginner Mode (position 0). For smooth control of your aircraft, always make small corrections. All directions are described as if you were sitting in the aircraft.

### Throttle, Faster or Slower

- Push the throttle stick forward to make the aircraft go faster and climb.
- Pull the throttle stick back to slow down and descend.

### Elevator Up and Down

- Pull the elevator stick back to make the nose of the aircraft go up.
- Push the elevator stick forward to make the nose of the aircraft go down.

### Aileron Right and Left

- Move the aileron stick right to make the aircraft roll or bank right.
- Move the aileron stick left to make the aircraft roll or bank left.

**TIP:** Always picture yourself in the aircraft when determining which way to bank the aircraft wings.

- When the aircraft is flying away from you, banking the aircraft right or left appears normal.
- When flying toward you, the aircraft will appear to bank the opposite direction to the control input given. This will become more instinctual with experience.









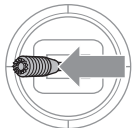
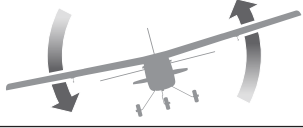
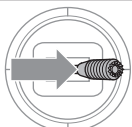

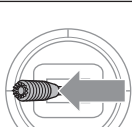

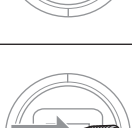
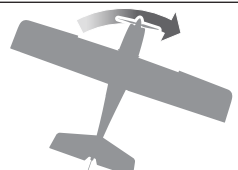
**TIP:** When flying toward yourself, if one of the wings drops, move the aileron stick toward the low wing to level the aircraft.

### Rudder Right and Left

- Push the rudder stick right to yaw the aircraft nose to the right.
- Push the rudder stick left to yaw the aircraft nose to the left.

The rudder stick is also used to steer the aircraft left and right while taxiing on the ground.

**TIP:** Similar to aileron control, picture yourself in the aircraft to determine which direction to point the nose whether you are flying away from yourself or toward yourself.

	Transmitter Command	Aircraft Response
Throttle		
		
Elevator		
		
Aileron		
		
Rudder		
		

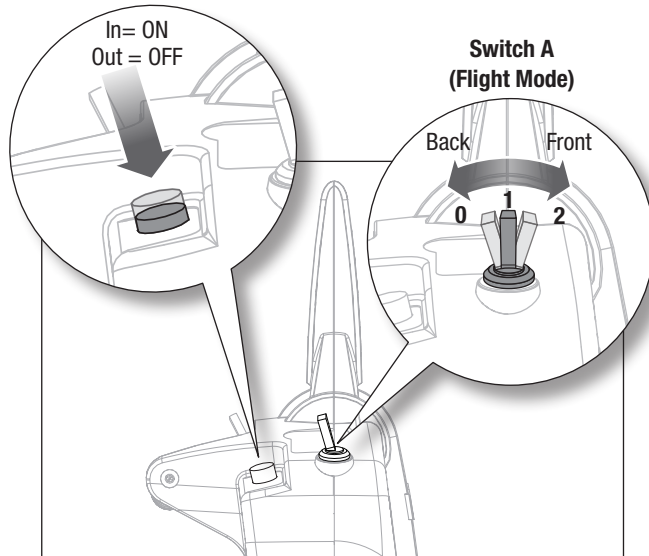
## Sensor Assisted Flight Envelope (SAFE) Technology

You control the help SAFE® technology provides while you learn to fly. As your flying skills grow, decrease SAFE technology assistance. Change aircraft response at any time by moving the Channel 5 (SAFE Flight mode) switch on your transmitter.

**IMPORTANT:** These instructions are for the included DXS transmitter (or similar transmitters) with a 3-position switch for Channel 5. If you fly this aircraft with a Spektrum transmitter other than the included DXS, refer to Optional Transmitter Setup and Receiver Setup.

SAFE Flight Modes	Switch A Position (Flight Mode Switch)
Beginner Mode	Position 0
Intermediate Mode	Position 1
Experienced Mode	Position 2

**Button I**  
Trainer/Bind/Panic Button



### Panic Recovery Mode

If you get into distress while flying in any mode, press and hold the Panic / Trainer button and move the control sticks to their neutral position. The SAFE technology will return the aircraft to a stable attitude, if the aircraft is at a sufficient height with no obstacles in its path. Release the Panic Button to turn off Panic mode and return the current SAFE flight mode. If you get into trouble and need to go back to Beginner mode for maximum stability, remember to fully move back the Channel 5 switch.

### Activating SAFE Technology

SAFE technology is not active until you advance the throttle past 25%. Once the SAFE technology is active, the control surfaces may move on the aircraft. This is normal. The SAFE technology will remain active until the ESC is turned off.

### Understanding Oscillation

In some flight conditions, you may see oscillation. If oscillation occurs, decrease the airspeed. If oscillation still persists, refer to the Troubleshooting Guide for more information.

**CAUTION:** Flying in level forward flight and calm wind conditions at full throttle in any mode or long high-speed dives may result in strong oscillation that can damage the aircraft.

If there is oscillation in any mode, decrease throttle immediately. If oscillation persists, refer to the Troubleshooting Guide.

**CAUTION:** Beginner, Intermediate, and Panic modes are intended for the training environment. Flying continuous high-G maneuvers (such as loops) in Experienced mode for an extended period of time may lead to inconsistent flight envelope and Panic mode behavior. If this occurs, land in Experienced mode and power cycle the receiver before flying again.

### Launch and Landing Assistance

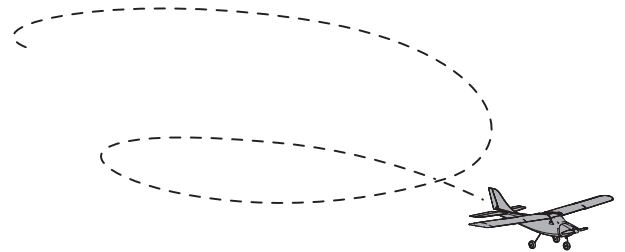
Take off and landings can be better managed by using the Beginner mode. If the model is launched incorrectly, or is landing at a less than perfect attitude, pull and hold the Panic Switch. The model can correct and help to prevent a crash. See the Take Off and Landing sections in this manual.

**IMPORTANT:** A level runway is required for takeoffs in Beginner mode due to throttle climb assistance.



### Failsafe

In the unlikely loss of radio connection, failsafe will place the aircraft in a descending circle to the ground, unless the radio connection is restored.



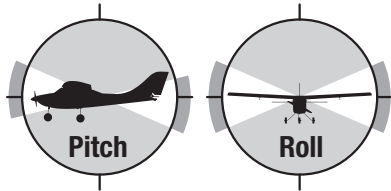
### SAFE Technology makes this aircraft a better learning tool, but you must set yourself up for success in flying:

- SAFE technology is designed as flight assistance, not an autopilot. The pilot is always in control and required to fly the aircraft at all times
- Follow the instructions provided in this manual to maintain your aircraft in top flying condition
- Seek qualified model flying instruction through your local model flying club. A qualified flight instructor can propel your advancement in this hobby
- Wind and environment can affect SAFE technology flight performance
- Ensure you have no distractions so you benefit from every moment of flight time
- You must still fly the aircraft away from obstacles and at an altitude that will allow for a safe recovery

SAFE technology is a revolutionary flight training system designed to give you a stable platform for safely developing your flying skills. This is not an autopilot or self-guiding robot. The sensors and software in this system help you fly the aircraft where you want to go while decreasing the risk of an out-of-control crash. You can progress through the Beginner, Intermediate and Experienced flight modes as your skills increase, all with the confidence of an optional Panic recovery mode. At any time during a flight you can switch between the 3 flight modes or use Panic recovery to get your aircraft to a safe flying attitude.

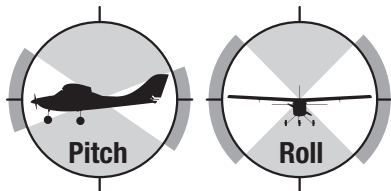
## SAFE Flight Modes

### Beginner Mode



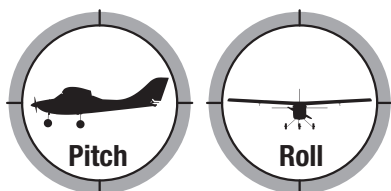
- Envelope limit: Pitch (nose up and down) and Roll (wing tips up and down) angles are limited to help you keep the aircraft airborne
- Self-leveling: when the pitch and roll controls are returned to neutral, the aircraft returns to level flight
- Stability assisted takeoff and landing
- Throttle based climb and descent

### Intermediate Mode



- Natural Flight Experience: Pitch and roll controls are increased. Self leveling is not active.
- Large Flight Envelope: The pilot is only prevented from entering extreme flight attitudes.

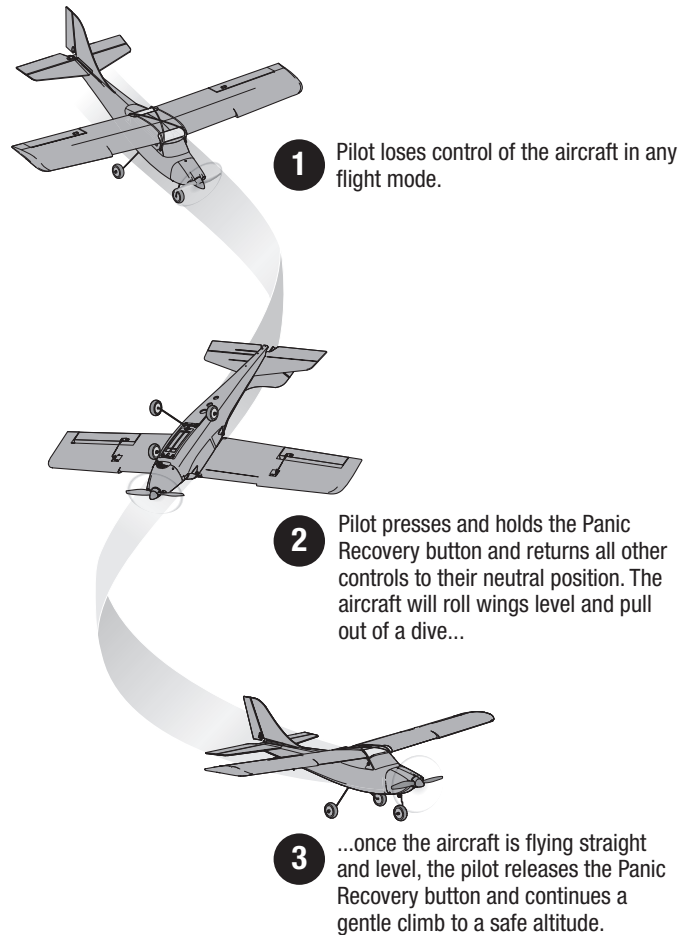
### Experienced Mode



- Natural Flight Experience: The pilot experiences natural AS3X flight for smooth handling and outstanding precision
- Unlimited Flight Envelope: No limit on Pitch and Roll angles (airframe limited)

## Panic Recovery

- Immediate recovery to a safe flying attitude
- Return all transmitter controls to neutral for the quickest recovery
- This mode is intended to provide the pilot with the confidence to continue to improve their flight skills



**IMPORTANT:** Aircraft will recover to a safer attitude even if sticks are held. Some control input is still used with panic activated.

## AS3X® technology

Horizon Hobby has always made RC sport, scale and unique aircraft with the kind of performance experts appreciate. Now the exclusive Artificial Stability 3 aXis (AS3X) system helps take performance expectations in aircraft a quantum leap higher. Based on the successful use of MEMS sensor technology within the AS3X Stabilization System essential to Blade® ultra micro flybarless helicopters, the specifically tuned AS3X System for airplanes helps invisibly correct for turbulence, torque and tip stalls when encountered. Furthermore, the outstanding control agility delivers an ultra smooth, locked-in feel that obeys your every command with performance that's natural feeling. It's so gratifying, in fact, that it's as though you're the RC pilot of an expertly tuned, giant-scale aircraft. AS3X will change the way you'll want to fly now and in the future.

## Preflight Checklist

Find a safe open area to fly.	Perform a radio system range test.
Charge the flight battery.	Plan flight for flying field conditions.
Install a fully charged flight battery in the aircraft.	Set a flight time for 6-8 minutes using the recommended 1300mAh 3S battery pack.
Make sure all linkages move freely.	Have Fun!
Check the Center of Gravity (CG).	
Perform the control direction test.	

## Flying

This aircraft is relatively easy to fly and helps you apply beginner skills to flying; however, we recommend you get help from a qualified flight instructor for your first radio controlled flights. Some model flying clubs provide flight training at their flying fields. Find a nearby flying club through your local hobby shop. In the U.S., visit the Academy of Model Aeronautics at [www.modelaircraft.org](http://www.modelaircraft.org) for more information on clubs and flight instruction.

Scan the QR code for a link to a video with tips to help successfully fly the aircraft.



Flying Video

### Tips for Success

- Start in beginner mode. As you learn and become more confident, change modes to advance.
- Resist the desire to fly at full throttle. Flying slowly at first allows for greater response time should anything go wrong.
- Always keep your aircraft in plain sight and up wind from you.
- Gain experience by first flying in large circles high off the ground. Once you feel comfortable, gradually progress to more advanced maneuvers.
- Do not attempt your first turn at low altitude. Higher altitudes allow for greater possibility of correction.
- Control stick movements are quite sensitive. Avoid pushing the control sticks to their endpoints until you become more familiar with your aircraft.
- To recover from a nose dive, decrease throttle and release the aileron stick. Pull the elevator stick back a small amount to pull up the nose of the aircraft.
- If you feel you have lost control press and hold the Panic Button.

### Weather Conditions

A good flying day is calm, with winds that are less than 5–7 mph (8–11 km/h). Flying in faster winds than this could make flying difficult and result in a crash. Wind near the ground can be less than the wind at the elevation where your aircraft flies.

### Takeoff

#### Ground Launch

Take off from the ground in Beginner mode is recommended for first flights, however, if the ground is not hard and level, get help to hand launch your aircraft.

1. Place the aircraft on its landing gear in a large, open area with smooth asphalt or concrete. The aircraft's nose should point into the wind (in no greater than 5–7 mph (8–11 km/hr) wind).
2. Stand behind your aircraft so you can see the rudder, ailerons and elevator.
3. Slowly move the throttle stick to FULL (100%) while gently pulling back on the elevator stick. Use the rudder to keep the aircraft's nose pointed into the wind while it leaves the ground.

**TIP:** Ground launch in Beginner mode. Increase the throttle and keep the aircraft straight with the rudder control. The aircraft will rise from a level runway in a short distance. Obtain a steady climb to a safe altitude. Use the Panic Mode switch if needed.

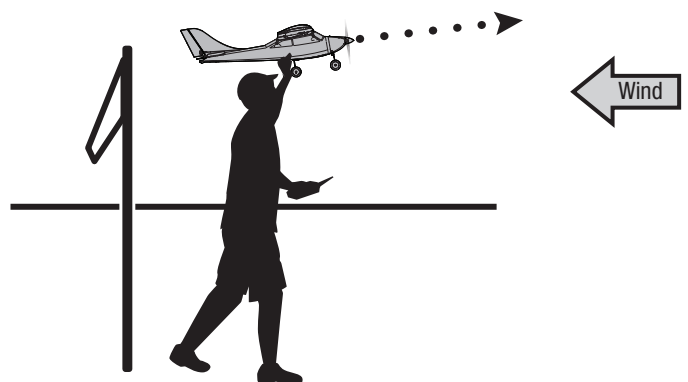


#### Hand Launch

When learning to fly, get help to hand-launch your aircraft so you can concentrate on flying. If you must hand-launch the aircraft alone, hold the model in your dominant hand and the transmitter in your other hand. An optional neck strap (SPMP610, sold separately) can help you hold the transmitter.

1. Grip the aircraft under the fuselage, behind the rear landing gear.
2. Carefully increase transmitter throttle control to FULL (100%).
3. Throw the aircraft slightly nose up and directly into the wind while keeping the wings parallel to the ground.

**TIP:** Hand launch in Beginner mode. The technology will keep the aircraft level and in a climb. Obtain a safe and steady climb to a safe altitude. Use the Panic Mode switch if needed.



## In Flight

Continue to climb into the wind at full throttle, until the aircraft reaches about 50 feet (15 meters). Gradually turn the aircraft away from you while still maintaining altitude. Begin a turn by banking the aircraft slightly with the aileron stick. Gently pull back on the elevator stick to pull the aircraft around the turn and to maintain altitude. When the aircraft reaches the heading desired, simply apply the opposite aileron to level the wings and ease off the elevator.

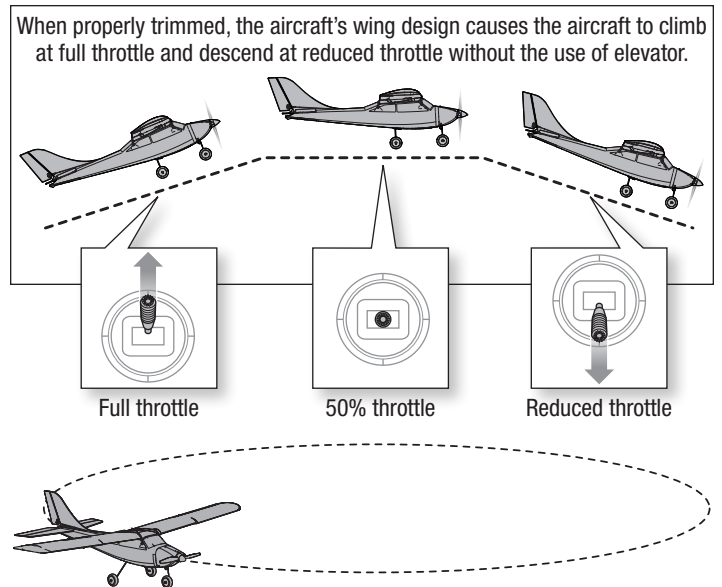
Climb to about 200 feet (60 meters) and reduce the throttle to around 50%. Adjust the throttle up or down to maintain altitude. Try not to get the aircraft too high or far away, making it difficult to see.

As you are flying:

- Fly at a high enough altitude to give yourself time to react to what the aircraft is doing.
- Make small and gentle stick movements to see how the aircraft responds.
- Practice flying in large circles, high off the ground. Flying with the nose pointed toward you is one of the hardest skills to master when learning to fly. Flying in circles will give you experience viewing the aircraft from all angles.
- If you lose orientation of the aircraft, press and hold the Panic Recovery button and release the sticks. The aircraft will return to level flight. Release the button to continue your flight.

**NOTICE:** If a crash is imminent, activate throttle cut or quickly lower the throttle and throttle trim. Failure to do so could result in greater damage to the airframe, as well as damage to the ESC and motor.

**NOTICE:** Crash damage is not covered under warranty.



## Landing

1. Reduce the throttle to around 50% to slow the airspeed.
2. Fly the aircraft downwind past the end of the runway.
3. Turn the aircraft into the wind and line the aircraft up with the runway center line.
4. Gradually decrease the throttle further to begin descending towards the runway, keeping the wings level during approach. Try to have the aircraft at approximately 10 feet (3 meters) altitude as it passes over the threshold of the runway.
5. As the aircraft passes over the threshold of the runway decrease the throttle.
6. Just as the aircraft is about to touch down, gently pull back on the elevator to raise the nose, or flare, for a gentle landing on the main landing gear. The goal is to be at a low enough speed so the aircraft will not climb when the landing flare is started.

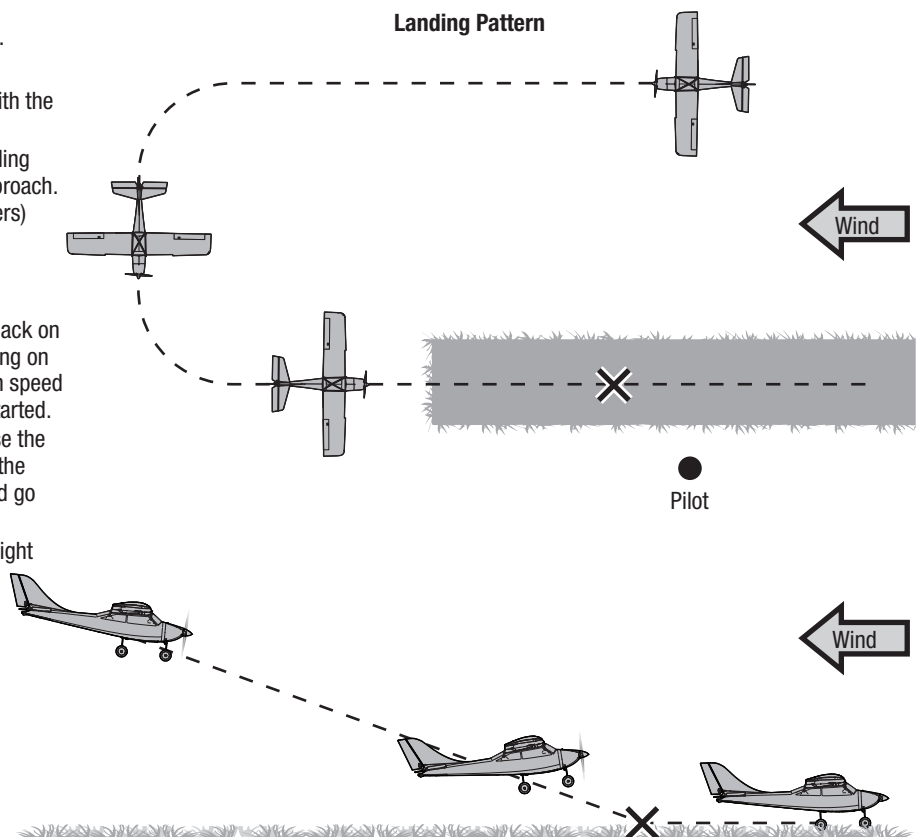
**TIP:** If the aircraft bounces back into the air, either increase the throttle slightly and ease the aircraft gently back down to the runway, or increase the throttle to full power, climb out and go around to begin the landing process again.

7. Continue using the rudder stick to steer the aircraft straight down the runway, allowing the aircraft to roll to a stop.

**NOTICE:** If a crash is imminent, activate throttle cut or quickly lower the throttle and throttle trim. Failure to do so could result in greater damage to the airframe, as well as damage to the ESC and motor.

**NOTICE:** Crash damage is not covered under warranty.

**IMPORTANT:** When finished flying, never keep the aircraft in the sun. Do not store the aircraft in a hot, enclosed area such as a car. Doing so can damage the foam.



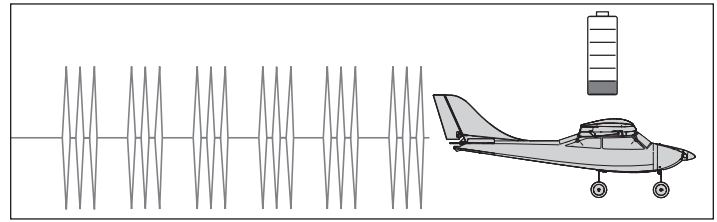


## Low Voltage Cutoff (LVC)

Low Voltage Cutoff is a function built into the electronic speed control to protect the battery from over-discharge. When the flight battery charge is low, LVC limits power supplied to the motor so the flight controls receive sufficient energy to safely land the aircraft.

When LVC engages, the aircraft will slow and the motor will begin to pulse. When the motor power decreases, land the aircraft immediately and charge the flight battery.

**NOTICE:** Repeated flying to the low voltage cutoff will damage the battery.



## Trimming the Aircraft

### Adjusting Trim in Flight

If your aircraft does not fly straight and level at half throttle with the sticks at neutral, fly into the wind and adjust the trim sliders as indicated in the table until the aircraft maintains a reasonably straight and level flight path.

- Trimming is best done in calm wind conditions.
- The SAFE flight mode switch should be set to Experienced mode (switch B, position 2) before adjusting the trims.

After the aircraft is trimmed in flight, land the aircraft and proceed to the Manually Adjusting Trim section to re-center the servos and set the trim mechanically.

The included DXS transmitter features electronic trim buttons. The transmitter emits a faint beep with each click of the trim buttons in either direction. Holding the button in either direction quickly adjusts the trim several steps until the button is released or until the trim reaches the end of its travel. If the trim button does not beep when clicked, the trim is at the far end of its travel. Center trim is indicated by a slightly louder beep.

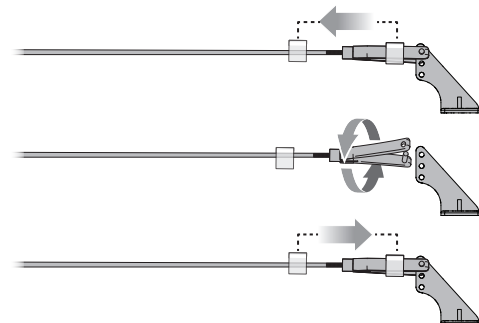
**TIP:** Trim the aircraft at sufficient altitude of about 100' (30 meters). Having an experienced flight instructor trim your aircraft during the first flight is recommended.

	Aircraft Drift	Required Trim
Elevator		
Aileron		
Rudder		

### Manually Adjusting Trim

After adjusting the aircraft trims in the air, the servos should be re-centered and the pushrods adjusted to reflect the trim changes made in the air. Doing so ensures the servos will retain full throw and not overdrive in either direction.

1. After landing from the trim flight, set the throttle cut to ON (switch H, position 1).
2. Set the flight mode switch to experienced mode (switch B, position 2). Ensure the aircraft is kept immobile.
3. One at a time, take note of any offset in position of each control surface.
4. Remove the clevis from the control horn of the control surface by sliding the soft rubber tube back along the pushrod. Gently pry the clevis open and slide the pin out of the control horn.
5. Center the transmitter trim for that control surface.
6. Adjust the clevis in or out by rotating the clevis on the pushrod until the control surface position matches the corrected offset when the clevis pin is inserted in the control horn.
7. Re-insert the clevis pin in the correct hole in the control horn.
8. Snap the clevis closed, capturing the control horn between the clevis sides.
9. Slide the soft rubber tube over the clevis to keep it from opening.
10. Move to the next control surface and repeat steps 3 through 9, until all of the transmitter control surface trims are centered.



## Post Flight

Disconnect the flight battery from the ESC.
Power OFF the transmitter.
Remove the flight battery from the aircraft.
Recharge the flight battery.
Repair or replace all damaged parts.
Store the flight battery apart from the aircraft and monitor the battery charge.
Make note of the flight conditions and flight plan results, planning for future flights.

**IMPORTANT:** When finished flying, never keep the aircraft in the sun. Do not store the aircraft in a hot, enclosed area such as a car. Doing so can damage the foam.

### LiPo battery tips:

- Disconnect and remove the Li-Po battery from the aircraft after use to prevent trickle discharge.
- Charge your Li-Po battery to about half capacity for long term storage.
- During storage, make sure the battery charge does not fall below 3V per cell.
- Always read and follow all safety warnings and guidelines included with your LiPo batteries.

## Transmitter and Receiver Binding

Binding is the process of programming the aircraft receiver with the identification code of the transmitter so the receiver will only connect to that specific transmitter.

The included transmitter was bound to the aircraft at the factory. If the aircraft does not respond to transmitter control inputs when the batteries in the aircraft and transmitter are fully charged, the aircraft receiver and transmitter may need to be re-bound.

To re-bind the transmitter and receiver:

1. Power OFF the transmitter
2. Set the throttle stick to the low position and all other controls to neutral.\*  
Ensure the aircraft is immobile.

**IMPORTANT:** The throttle will not arm if the transmitter's throttle control is not put at the lowest position.

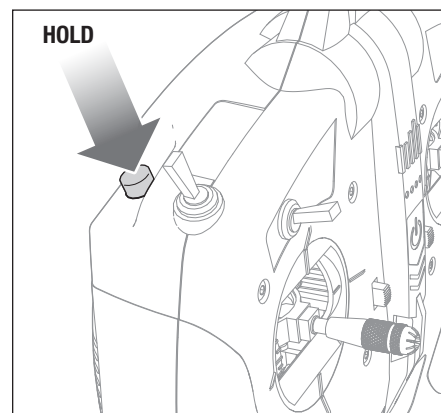
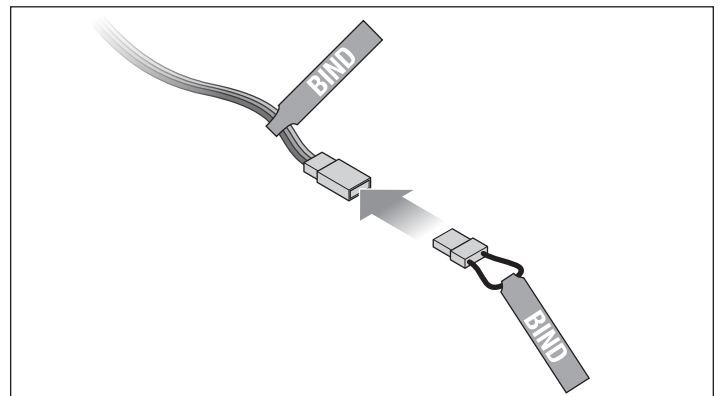
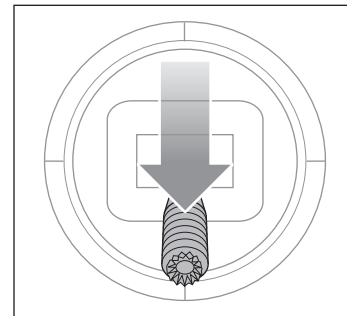
3. Install a bind plug in the BIND extension lead located in the battery compartment.
4. Connect the flight battery to the ESC. The receiver LED will flash rapidly (visible with the wing removed).
5. Press and hold the bind button (button A) on the transmitter while powering ON the transmitter. The receiver LED will glow solid when the receiver and transmitter are bound. The aircraft will initialize and the controls will function normally.
6. Remove the bind plug from the BIND extension.

Once properly bound, the receiver and transmitter will retain their bind for future flights.

If you encounter problems, refer to the troubleshooting guide. If necessary, contact the appropriate Horizon Hobby product support office.

### \* Failsafe

The receiver stores the position of the transmitter throttle control at the time of binding as the failsafe position. If the receiver should ever lose communication with the transmitter, the failsafe function will activate. Failsafe moves the throttle channel to its preset failsafe position (low throttle) that was stored during binding. All other control channels move to put the aircraft in a slowly descending circle until radio link is re-established.



# Flight Training

## To the new pilot:

This aircraft is easy to fly and helps you apply beginner skills to flying; however, we recommend you get help from a qualified flight instructor for your first radio controlled flights. Some model flying clubs provide flight training at their flying fields. Find a nearby flying club through your local hobby shop. In the U.S., visit the Academy of Model Aeronautics at [www.modelaircraft.org](http://www.modelaircraft.org) for more information on clubs and flight instruction.

## To the flight instructor:

Feel free to experiment with the SAFE technology before instructing your student on this aircraft. The progressive switch positions in the SAFE technology are intended for a new pilot to learn with minimal instructor assistance. We recommend using Flight Mode Switch Position 1 to instruct a new pilot. Switch positions 0 and 2 may stabilize the aircraft more or less than desired for instruction purposes.

## DXS Wireless Trainer Feature

Your DXS transmitter may be connected wirelessly to another transmitter through the SRXL2 DSMX Remote Receiver (SPM9747, sold separately). The DXS transmitter is ideal as the instructor transmitter as it is compatible with all Spektrum transmitters when using this feature. Servo reversing and trims must be the same on both transmitters.

This “buddy box” approach has helped many new pilots get the feel for aircraft control with the close assistance of a flight instructor. Connecting two transmitters enables your flight instructor to hold the master transmitter while you hold the slave transmitter. While you learn to fly, the instructor holds the trainer switch to give you control of the aircraft. If you need help, the flight instructor can release the switch to take control.

**IMPORTANT:** If a transmitter other than the included DXS is used as the instructor or student transmitter, refer to Buddy Box Setup section below.

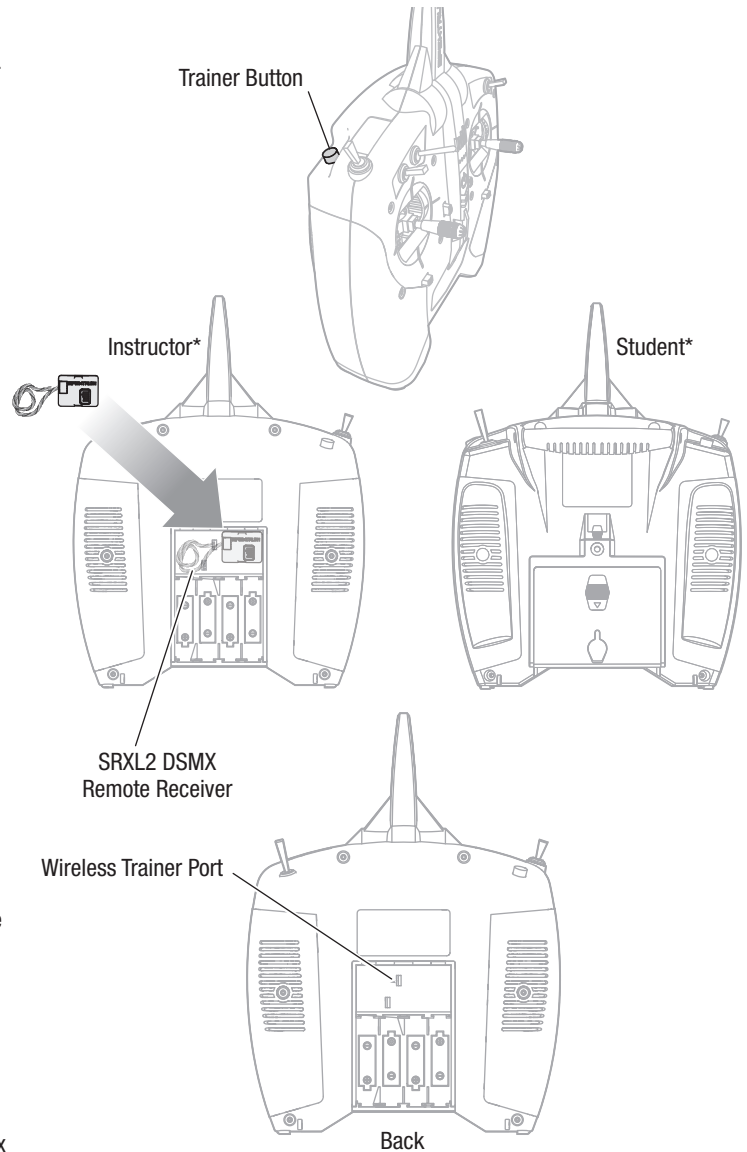
## Remote Receiver Installation

1. Open the battery door
2. Connect the remote receiver cable to the wireless trainer port.
3. Install the remote receiver in the cavity behind the battery door with double sided tape.

## Buddy Box Setup

**IMPORTANT:** Use these settings for an Instructor or Student transmitter if using the buddy box option for training on any transmitter other than the included DXS. Failure to do so will prevent the SAFE technology flight modes from working correctly.

The transmitter must be configured using the Transmitter Setup and Buddy Box setup charts.



Student* Transmitter Setup		Student Setup
Student Transmitter		Student Setup
DX4e, DX5e (2pos)		Factory Trainer Settings
DX4e, DX5e (3pos)		Factory Trainer Settings
DXe		Factory Trainer Settings
DX6i		Factory Trainer Settings
DX7		Factory Trainer Settings
DX6	DX9	Factory Trainer Settings
DX7s	DX10t	
DX7(G2)	DX18	
DX8	DX20	
DX8(G2)		

Instructor* Transmitter Setup		
Instructor Transmitter		Instructor Setup
DX4e, DX5e (2pos)		Factory Trainer Settings
DX4e, DX5e (3pos)		Factory Trainer Settings
DXe		Factory Trainer Settings
DX6i		Factory Trainer Settings
DX7		Trainer to Normal
DX6	DX9	Activate Programmable Master and insure channels Thro - Aux 1 are set to student.
DX7s	DX10t	
DX7(G2)	DX18	
DX8	DX20	
DX8(G2)*		

\* Some transmitters with older versions of Spektrum Airware software may use different terminology to describe the Student and Instructor functions.

## Optional Transmitter Setup

To use a Spektrum transmitter other than the included DXS, use the setup table which corresponds to your transmitter series, DX, NX or iX series, to program the transmitter.

When using the recommended setup, the transmitter switch layout is as follows:

- Switch B Selects the Flight mode; Beginner (position 0), Intermediate (position 1), Experienced (position 2)
- Button I controls the Panic mode (depressed activates Panic mode)
- Switch F controls the aileron dual rates
- Switch C controls the elevator dual rates
- Switch G controls the rudder dual rates.
- Switch H controls the throttle cut.

**IMPORTANT:** After completing the transmitter setup or making any changes to the transmitter setup, the transmitter and receiver must be re-bound to save the desired failsafe positions.

### Dual Rates

Make the initial flights in low rate, changing to high rate elevator for landing.

**NOTICE:** To ensure AS3X technology functions properly, do not lower rate values below 50%. If less control deflection is desired, manually adjust the position of the pushrods on the servo arm

**NOTICE:** If oscillation occurs at high speed, refer to the Troubleshooting Guide for more information.

### Exponential

After first flights, adjust the exponential settings in the transmitter to fine tune the responsiveness of the aircraft around neutral to your preference.

iX Series Transmitter Setup
1. Power ON your transmitter and begin once the Spektrum Airware app is open. Select the orange pen icon in the upper left corner of the screen, the system asks for permission to <b>Turn Off RF</b> , select <b>PROCEED</b>
2. Select the three dots in the upper right corner of the screen, select <b>Add a New Model</b>
3. Select Model Option, choose <b>DEFAULT</b> , select <b>Airplane</b> . The system asks if you want to create a new acro model, select <b>Create</b>
4. Select the last model on the list, named <b>Acro</b> . Tap on the word Acro and rename the file to a name of your choice
5. Tap and hold the back arrow icon in the upper left corner of the screen to return to the main screen
6. Go to <b>Model Setup</b> ; Select <b>Channel Assign</b> , select <b>PROCEED</b> <i>5 Gear: Switch B</i> <i>6 Aux1: Switch I</i> Press and hold the back arrow icon in the upper left corner of the screen to return to the main screen
7. Go to the <b>Model Adjust</b> menu
8. Select <b>Dual Rates and Expo</b> ; <i>Channel: Aileron</i> <i>Switch: Switch F</i> Set Switch Positions <b>0</b> and <b>1: Rate 100%, Expo 10%</b> Set Switch Position <b>2: Rate 70%, Expo 5%</b>
9. <i>Channel: Elevator</i> <i>Switch: Switch C</i> Set Switch Positions <b>0</b> and <b>1: Rate 100%, Expo 10%</b> Set Switch Position <b>2: Rate 70%, Expo 5%</b>
10. <i>Channel: Aileron</i> <i>Switch: Switch G</i> Set Switch Positions <b>0</b> and <b>1: Rate 100%, Expo 10%</b> Set Switch Position <b>2: Rate 70%, Expo 5%</b>
11. Tap the back arrow to return to the <b>Model Adjust</b> menu
12. Select <b>Throttle Cut</b> ; <i>Switch: Switch H</i> <i>Position: -100%</i>

NX Series Transmitter Setup
1. Power ON your transmitter, click on scroll wheel, roll to <b>System Setup</b> and click the scroll wheel. Choose yes.
2. Go to <b>Model Select</b> and choose <b>&lt;Add New Model&gt;</b> near the bottom of the list. Select <b>Airplane Model Type</b> by choosing the airplane, select <b>Create</b>
3. Set <b>Model Name</b> : Input a name for your model file
4. Go to <b>Channel Assign</b> <i>5 Gear: Change A to Switch B</i> <i>6 Aux1: Change D to Button I</i> Click <b>List</b> to exit
5. Select <b>&lt;Main Screen&gt;</b> , Click the scroll wheel to enter the <b>Function List</b>
6. Go to <b>D/R (Dual Rate) and Expo</b> ; <i>Channel: Aileron</i> <i>Set Switch: Switch F</i> Set Switch Positions <b>0</b> and <b>1: Rate 100%, Expo 10%</b> Set Switch Position <b>2: Rate 70%, Expo 5%</b>
7. Go to <b>D/R (Dual Rate) and Expo</b> ; <i>Channel: Elevator</i> <i>Set Switch: Switch C</i> Set Switch Positions <b>0</b> and <b>1: Rate 100%, Expo 10%</b> Set Switch Position <b>2: Rate 70%, Expo 5%</b>
8. Go to <b>D/R (Dual Rate) and Expo</b> ; <i>Channel: Rudder</i> <i>Set Switch: Switch G</i> Set Switch Positions <b>0</b> and <b>1: Rate 100%, Expo 10%</b> Set Switch Position <b>2: Rate 70%, Expo 5%</b>
9. Select <b>List</b> to go back to the <b>Function List</b>
10. Select <b>Throttle Cut</b> ; <i>Switch: Switch H</i> <i>Position: -100%</i>

DX Series Transmitter Setup
1. Power ON your transmitter, click on scroll wheel, roll to <b>System Setup</b> and click the scroll wheel. Choose yes.
2. Go to <b>Model Select</b> and choose <b>&lt;Add New Model&gt;</b> at the bottom of the list. The system asks if you want to create a new model, select <b>Create</b>
3. Set <b>Model Type</b> : Select <b>Airplane Model Type</b> by choosing the airplane. The system asks you to confirm model type, data will be reset. Select <b>YES</b>
4. Set <b>Model Name</b> : Input a name for your model file
5. Select <b>&lt;Main Screen&gt;</b> , Click the scroll wheel to enter the <b>Function List</b>
6. Go to <b>D/R (Dual Rate) and Expo</b> ; <i>Channel: Aileron</i> <i>Set Switch: Switch F</i> Set Switch Positions <b>0</b> and <b>1: Rate 100%, Expo 10%</b> Set Switch Position <b>2: Rate 70%, Expo 5%</b>
7. Go to <b>D/R (Dual Rate) and Expo</b> ; <i>Channel: Elevator</i> <i>Set Switch: Switch C</i> Set Switch Positions <b>0</b> and <b>1: Rate 100%, Expo 10%</b> Set Switch Position <b>2: Rate 70%, Expo 5%</b>
8. Go to <b>D/R (Dual Rate) and Expo</b> ; <i>Channel: Rudder</i> <i>Set Switch: Switch G</i> Set Switch Positions <b>0</b> and <b>1: Rate 100%, Expo 10%</b> Set Switch Position <b>2: Rate 70%, Expo 5%</b>
9. Select <b>List</b> to go back to the <b>Function List</b>
10. Select <b>Throttle Cut</b> ; <i>Switch: Switch H</i> <i>Position: -100%</i>

## Smart Technology Electronic Speed Control (ESC)

The Apprentice S 2 1.2m is equipped with an exclusive Smart technology electronic speed control that can provide a variety of real-time power system related telemetry data while you fly, including motor RPM, current, battery voltage and more to compatible Spektrum AirWare™ equipped transmitters.

When powered on, the ESC will send the below information to the flight control and the information will be displayed on the transmitter telemetry screen.

- RPM\*
- Voltage
- Current
- Throttle
- FET Temperature
- BEC Temperature

\* For the RPM telemetry information to display correctly, you must program the motor pole count into the Telemetry settings of your transmitter. The Apprentice S 2 1.2m uses a 14-pole motor.

### To program the motor pole count information:

1. Power on your transmitter.
2. Set the throttle cut to on.
3. Power on the aircraft and allow it to initialize.
4. In your transmitter, go to the **Function List (Model Setup** in iX series transmitters).

## Optional Floats (Water Takeoff and Landings)

**IMPORTANT:** We recommend flying with floats only when you are able to fly comfortably in Experienced flight mode.

Only use the floats if you are comfortable flying your aircraft and have repeatedly taken off, flown and landed with success. Flying off water poses a higher risk to the airplane because the electronics can fail if fully immersed in water.

Optional floats and float mounting wires (HBZ7390) sold separately.

Always ensure the optional floats are secure on the fuselage before putting the aircraft in water.

To take off from water:

1. Slowly increase the throttle, steering with the rudder to keep the aircraft tracking straight and into the wind. Avoid rapidly increasing the throttle as torque from the motor may cause the aircraft to roll to the left when on water.
2. Hold a small amount (1/4–1/3) of up elevator and the aircraft will lift off once flying speed is reached.
3. Keep the wings level on takeoff.

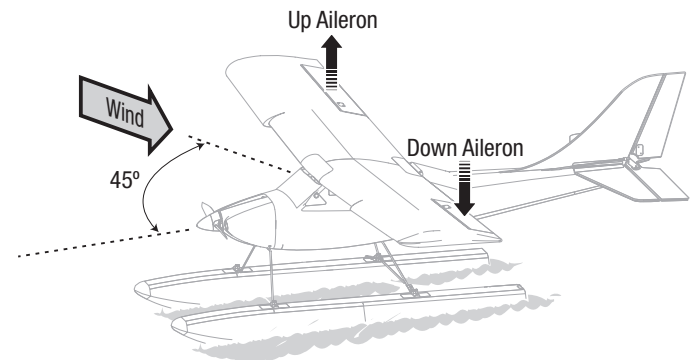
To land this aircraft on water, fly the aircraft to a couple of feet off the surface of the water. Reduce throttle and add up elevator to flare the aircraft.

When taxiing, you must use throttle to move the aircraft forward, but steer with the rudder stick. The stick will turn both the aircraft rudder and a small rudder attached to the left float.

ESC Status			
RPM:	0		
Volts:	0.0V		
Motor:	0.0A	0% Output	
Throttle:	0%		
Fet Temp:	0.0C		
BEC:	0.0C	0.0A	0.0V

5. Select the **Telemetry** menu option.
6. Go to the **ESC** menu option.
7. Scroll down to **Poles**.
8. Enter **14** (for iX series transmitters, you must click save to save your changes).
9. Return to the main screen.

Avoid taxiing cross wind if there is a breeze, as this can cause the aircraft to flip over if wind gets under the upwind wing. Taxi 45 degrees into the direction of the wind (not perpendicular to the wind) and use aileron to hold the upwind wing down. The aircraft will naturally try to face into the wind when taxiing. Always fully dry the aircraft after landing on water.



Taxi 45 degrees into the direction of the wind.



**CAUTION:** Never go alone to get a downed model in the water.



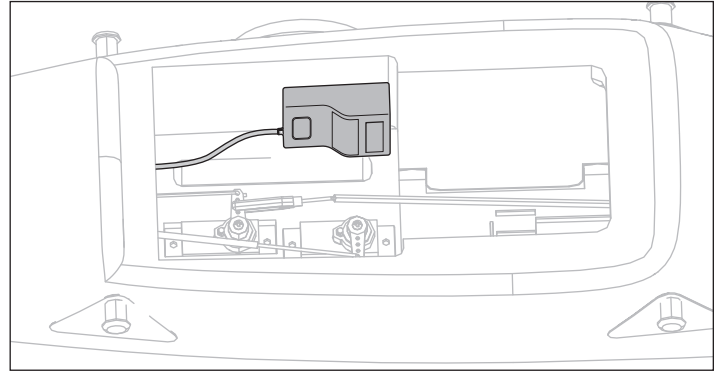
**CAUTION:** If at any time water splashes in the fuselage while flying from water, bring the airplane to shore, open the battery hatch and immediately remove any water that may have gotten in the fuselage. Leave the battery hatch open overnight to let the inside dry out and to prevent moisture damage to the electronic components. Failure to do so could cause the electronic components to fail, which could result in a crash.

## Service and Repairs

**NOTICE:** After any impact or replacement, always ensure the receiver is **secure in the fuselage**. If you replace the receiver, install the new receiver in the same orientation and manner as the original receiver or damage may result.

Thanks to the EPO foam material in the wing and fuselage of this aircraft, repairs to the foam can be made using virtually any adhesive (hot glue, regular CA (cyanoacrylate adhesive), epoxy, etc).

When parts are not repairable, see the replacement parts list for ordering by item number. For a listing of all replacement and optional parts, refer to the list at the back of this manual.



### Service of Power Components



**CAUTION:** Always disconnect the flight battery from the model before removing the propeller.

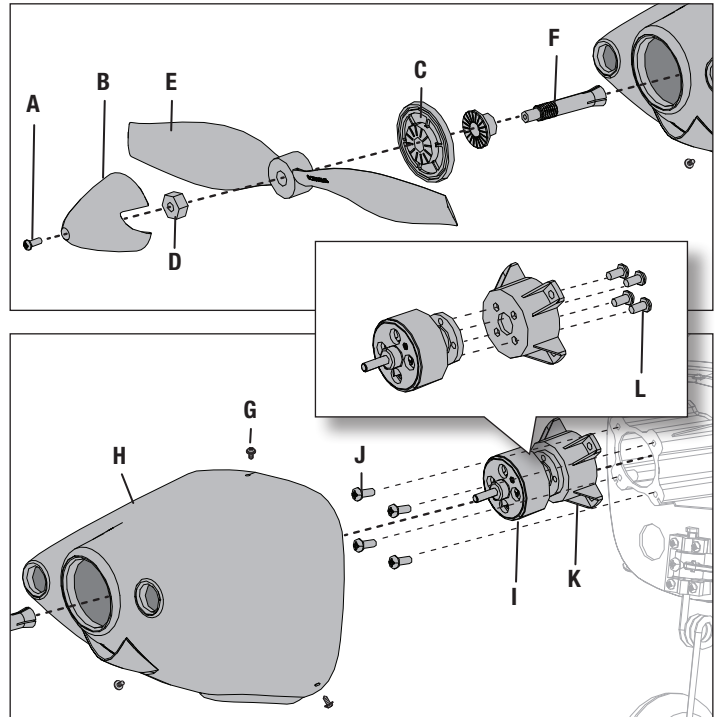
#### Disassembly

1. Remove the screw (A) and spinner (B) from the spinner backplate (C).
2. Remove the hex nut (D), propeller (E), and the spinner backplate from the collet (F). A tool will be required to remove the hex nut.
3. Carefully remove 3 screws (G) and the cowling (H) from the fuselage.
4. Remove the collet from the motor (I).
5. Remove 4 screws (J) from the motor mount (K) and the fuselage.
6. Disconnect the motor connectors from the ESC connectors.
7. Remove 4 screws (L) to remove the motor from the motor mount.

Assemble in reverse order.

#### Assembly Tips

- Correctly align and connect the motor wire colors with the ESC wires.
- The propeller size numbers (8.25 x 5.5) must face out from the motor for correct propeller operation.
- Ensure the spinner is fully connected to the spinner backplate for safe operation.



### Control Horn and Servo Arm Settings

**NOTICE:** Moving a linkage to another position may block the servo arm or affect SAFE technology functionality.

The illustration shows the factory hole settings in servo arms and control horns.

	Elevator	Ailerons	Rudder
Arms			
Horns			

## Trouble Shooting Guide for SAFE Technology

Problem	Possible Cause	Solution
Oscillation	Flying over recommended airspeed	Reduce air speed
	Damaged propeller or spinner	Replace propeller or spinner
	Imbalanced propeller	Balance the propeller. For more information, view John Redman's propeller balancing video at <a href="http://www.horizonhobby.com">www.horizonhobby.com</a>
	Motor vibration	Replace parts or correctly align all parts and tighten fasteners as needed
	Loose receiver	Total system failure. Align and secure receiver in fuselage
	Loose aircraft controls	Tighten or otherwise secure parts (servo, arm, linkage, horn and control surface)
	Worn parts	Adjust gain to compensate for parts wear or replace worn parts (especially propeller, pivot points or servo)
	Irregular servo rotation	Replace servo
Trim is at extreme and aircraft does not fly straight or level	Trim is not at neutral	If you adjust trim more than 4 clicks, adjust the clevis to mechanically remove trim

## Trouble Shooting Guide

Problem	Possible Cause	Solution
Aircraft will not respond to throttle but responds to other controls	Throttle not at lowest position or throttle trim too high	Reset controls with throttle stick and throttle trim at lowest setting
	Throttle servo travel is lower than 100%	Make sure throttle servo travel is 100% or greater
	Throttle channel is reversed	Reverse throttle channel on transmitter
	Motor disconnected from ESC	Make sure motor is connected to the ESC
Extra propeller noise or extra vibration	Damaged propeller and spinner, collet or motor	Replace damaged parts
	Propeller is out of balance	Balance or replace propeller
	Prop nut is too loose	Tighten the prop nut
	Spinner is not tight or fully seated in place	Tighten the spinner or remove the spinner and turn it 180 degrees
Reduced flight time or aircraft underpowered	Flight battery charge is low	Completely recharge flight battery
	Propeller installed backwards	Install propeller with numbers facing forward
	Flight battery damaged	Replace flight battery and follow flight battery instructions
	Flight conditions may be too cold	Make sure battery is warm before use
	Battery capacity too low for flight conditions	Replace battery or use a larger capacity battery
Aircraft will not Bind (during binding) to transmitter	Transmitter too near aircraft during binding process	Move powered transmitter a few feet from aircraft, disconnect and reconnect flight battery to aircraft
	Aircraft or transmitter is too close to large metal object, wireless source or another transmitter	Move aircraft and transmitter to another location and attempt binding again
	The bind plug is not installed correctly in the bind port	Install bind plug in bind port and bind the aircraft to the transmitter
	Flight battery/transmitter battery charge is too low	Replace/recharge batteries
	Bind switch or button not held long enough during bind process	Power off transmitter and repeat bind process. Hold transmitter bind button or switch until receiver is bound
Aircraft will not connect (after binding) to transmitter	Transmitter too near aircraft during connecting process	Move powered transmitter a few feet from aircraft, disconnect and reconnect flight battery to aircraft
	Aircraft or transmitter is too close to large metal object, wireless source or another transmitter	Move aircraft and transmitter to another location and attempt connecting again
	Bind plug left installed in bind port	Rebind transmitter to the aircraft and remove the bind plug before cycling power
	Aircraft bound to different model memory (ModelMatch™ radios only)	Select correct model memory on transmitter
	Flight battery/Transmitter battery charge is too low	Replace/recharge batteries
	Transmitter may have been bound using different DSM protocol	Bind aircraft to transmitter

Problem	Possible Cause	Solution
Control surface does not move	Control surface, control horn, linkage or servo damage	Replace or repair damaged parts and adjust controls
	Wire damaged or connections loose	Do a check of wires and connections, connect or replace as needed
	Transmitter is not bound correctly or the incorrect model was selected	Re-bind or select correct model in transmitter
	Flight battery charge is low	Fully recharge flight battery
	BEC (Battery Elimination Circuit) of the ESC is damaged	Replace ESC
Controls reversed	Transmitter settings are reversed	Perform the Control Direction Test and adjust the controls on transmitter appropriately
Motor power pulses then motor loses power	ESC uses default soft Low Voltage Cutoff (LVC)	Recharge flight battery or replace battery that is no longer performing
	Weather conditions might be too cold	Postpone flight until weather is warmer
	Battery is old, worn out, or damaged	Replace battery
	Battery C rating might be too small	Use recommended battery
Aircraft control surfaces do not move after switch is turned on	Aircraft was moving during initialization	Keep aircraft still during initialization

## Replacement Parts

Part #	Description
EFLA1030FB	30-Amp Telemetry Capable ESC
HBZ3101	Wing Set
HBZ3102	Fuselage
HBZ3103	Tail Set
HBZ3104	Cowl
HBZ3105	Pushrod Set
HBZ3106	Nose Gear
HBZ3107	Main Landing Gear
HBZ3108	Firewall and Motor Mount
HBZ3109	Nose Gear Arm and Mounting Strap
HBZ3110	Battery Door
HBZ3111	Wheels; 58mm (3)
HBZ3114	Spinner; 34mm
HBZ3115	Hardware Set
HBZ3116	Prop Adapter
HBZ3118	Decal Sheet
SPMAR631	AR631 6CH AS3X/SAFE Receiver
SPMR1010	DXS Transmitter Only
SPMSA381	9g Sub-Micro Servo: 400mm Lead
SPMSA382	14g Sub-Micro MG Servo, 240mm Lead
SPMX1300S30M	1300mAh 3S 11.1V Smart 30C LiPo;IC3
SPMXAM1900	2832-1300kv 14-pole
SPMXC1020	Smart S120 USB-C Charger, 1x20W

## Recommended Parts

Part #	Description
SPMXPSA200	Smart G2 Air Powerstage 2

## Optional Parts

Part #	Description
HBZ3113	Float Mounting Wires: MiniApprentice
HBZ7390	Float Set
SPMR6775	NX6 6 Ch Transmitter Only
RFL1205	RealFlight Trainer Edition RC Flight Simulator
SPMWS2000	WS2000 Wireless Simulator USB Dongle
SPMXPSA3	Smart Powerstage Aircraft 3S Bundle
SPMXC1070	Smart S150 AC/DC Charger, 1x50W
SPMXBC100	Smart Battery & Servo Tester
SPMXC2050	S155 G2 1x55W AC Smart Charger

## Hardware

Location	Description	Quantity
Spinner	M2.5 x 5mm Machine Screw	1
Cowl	M2 x 4mm Self Tapping	3
Motor Mount	M3 x 8mm Self Tapping	4
Motor	M3 x 6mm Machine Screw	4
Nose Gear Strap	M2.5 x 8mm Self Tapping	4
Nose Gear Set Screw	M3 x 6mm Machine Screw	1
Landing Gear Strap	M2.5 x 8mm Self Tapping	8
Wheel Collar	M2.5 x 4mm Machine Screw	3
Vertical Stabilizer	M2.5 x 8mm Self Tapping	2
Control Horns	M2 x 8mm Machine Screw	8



## Glossary of Important Terms

**Aileron:** Control surface found on the trailing edge of each wing. Giving right aileron control causes the right aileron to deflect up and the left aileron to deflect down, making the aircraft roll to the right. Giving left aileron control causes the left aileron to deflect up and the right aileron to deflect down, making the aircraft roll left.

**AS3X:** Active Stabilization, 3-Axis. An electronic stability system that counters outside forces such as wind, turbulence, torque, tip-stall, control sensitivity issues due to CG position, to make the aircraft fly more smoothly, and provide a better flying experience.

**Binding:** The process of electronically linking the transmitter to the receiver. The aircraft will then recognize only a particular transmitter.

**Center of Gravity (CG):** Point at which the aircraft balances, most notably from front to back.

**Clevis:** The U-shaped connector at the end of the aircraft pushrod which allows adjustment of the pushrod length.

**Control Throw:** The distance a control surface deflects, normally measured from the widest point of the control surface.

**Dual Rate:** Setting found in the transmitter which allows two different control throw distances when the control stick is deflected fully. Using a low rate gives less control throw at full deflection and thus a less sensitive feel to the aircraft. Using high rate gives greater control throw at full deflection and thus a more sensitive feel to the aircraft.

**Elevator:** Control surface found on the trailing edge of the horizontal stabilizer. Up elevator causes the aircraft to pitch up. Down elevator causes the aircraft to pitch down.

**Electronic Speed Control (ESC):** an electronic device that controls and regulates the speed of the motor. It has connections from the battery, to the motor, and to the Receiver.

**Exponential:** A setting programmed in the transmitter which allows the pilot to tailor the sensitivity of the controls around neutral. Increasing the exponential value creates a softer control feel around neutral, thus making the aircraft less sensitive to control inputs. Exponential only affects the controls around neutral.

**Low Voltage Cutoff (LVC):** A safety feature built into the electronic speed control which activates when the battery voltage drops below a determined level, cutting power to the motor, but still providing power to the receiver and servos, allowing the aircraft to be landed safely.

**Pitch:** The rotation of the aircraft nose up or down, controlled by the elevator.

**Range Test:** Test to check the transmitter and receiver are functioning properly. The test is done by setting the transmitter to a low-power mode and testing the control function from a set distance.

**Receiver:** an electronic device installed in the aircraft which decodes the control inputs sent from the transmitter and sends the inputs to the servos.

**Roll:** Left and right rotation of the aircraft around the longitudinal axis.

**Rudder:** Control surface found on the trailing edge of the vertical stabilizer. Right rudder control causes the nose of the aircraft to turn to the right. Left rudder causes the nose of the aircraft to turn left.

**Sensor-Assisted Flight Envelope (SAFE) Technology:** Offers smoother flight capability that battles windy conditions for you and multiple modes so you can fly with the level of protection and assistance that suits any given moment of the flight.

**Servo:** Electronic component which translates the control signals from the receiver into movement of a control surface. The servo is connected to the control surface with a pushrod.

**Throttle:** Control input which regulates the speed of the motor. A higher throttle setting makes the motor rotate faster, thus increasing forward thrust. A lower throttle setting makes the motor rotate slower, thus decreasing forward thrust.

**Transmitter:** Control unit held by the pilot which sends signals to the aircraft.

**Yaw:** Left or right rotation of the aircraft nose, controlled by the rudder.

## Important Federal Aviation Administration (FAA) Information

Use the QR code below to learn more about the Recreational UAS Safety Test (TRUST), as was introduced by the 2018 FAA Reauthorization Bill. This free test is required by the FAA for all recreational flyers in the United States. The completed certificate must be presented upon request by any FAA or law enforcement official.



Recreational UAS Safety Test

If your model aircraft weighs more than .55lbs or 250 grams, you are required by the FAA to register as a recreational flyer and apply your registration number to the outside of your aircraft. To learn more about registering with the FAA, use the QR code below.



FAA DroneZone

# AMA National Model Aircraft Safety Code

Effective January 1, 2018

A model aircraft is a non-human-carrying device capable of sustained flight within visual line of sight of the pilot or spotter(s). It may not exceed limitations of this code and is intended exclusively for sport, recreation, education and/or competition. All model flights must be conducted in accordance with this safety code and related AMA guidelines, any additional rules specific to the flying site, as well as all applicable laws and regulations.

As an AMA member I agree:

- I will not fly a model aircraft in a careless or reckless manner.
- I will not interfere with and will yield the right of way to all human-carrying aircraft using AMA's See and Avoid Guidance and a spotter when appropriate.
- I will not operate any model aircraft while I am under the influence of alcohol or any drug that could adversely affect my ability to safely control the model.
- I will avoid flying directly over unprotected people, moving vehicles, and occupied structures.
- I will fly Free Flight (FF) and Control Line (CL) models in compliance with AMA's safety programming.
- I will maintain visual contact of an RC model aircraft without enhancement other than corrective lenses prescribed to me. When using an advanced flight system, such as an autopilot, or flying First-Person View (FPV), I will comply with AMA's Advanced Flight System programming.
- I will only fly models weighing more than 55 pounds, including fuel, if certified through AMA's Large Model Airplane Program.
- I will only fly a turbine-powered model aircraft in compliance with AMA's Gas Turbine Program.
- I will not fly a powered model outdoors closer than 25 feet to any individual, except for myself or my helper(s) located at the flightline, unless I am taking off and landing, or as otherwise provided in AMA's Competition Regulation.
- I will use an established safety line to separate all model aircraft operations from spectators and bystanders.

## Limited Warranty

**What this Warranty Covers**—Horizon Hobby, LLC, (Horizon) warrants to the original purchaser that the product purchased (the "Product") will be free from defects in materials and workmanship at the date of purchase.

**What is Not Covered**—This warranty is not transferable and does not cover (i) cosmetic damage, (ii) damage due to acts of God, accident, misuse, abuse, negligence, commercial use, or due to improper use, installation, operation or maintenance, (iii) modification of or to any part of the Product, (iv) attempted service by anyone other than a Horizon Hobby authorized service center, (v) Product not purchased from an authorized Horizon dealer, (vi) Product not compliant with applicable technical regulations, or (vii) use that violates any applicable laws, rules, or regulations.

OTHER THAN THE EXPRESS WARRANTY ABOVE, HORIZON MAKES NO OTHER WARRANTY OR REPRESENTATION, AND HEREBY DISCLAIMS ANY AND ALL IMPLIED WARRANTIES, INCLUDING, WITHOUT LIMITATION, THE IMPLIED WARRANTIES OF NON-INFRINGEMENT, MERCHANTABILITY AND FITNESS FOR A PARTICULAR PURPOSE. THE PURCHASER ACKNOWLEDGES THAT THEY ALONE HAVE DETERMINED THAT THE PRODUCT WILL SUITABLY MEET THE REQUIREMENTS OF THE PURCHASER'S INTENDED USE.

**Purchaser's Remedy**—Horizon's sole obligation and purchaser's sole and exclusive remedy shall be that Horizon will, at its option, either (i) service, or (ii) replace, any Product determined by Horizon to be defective. Horizon reserves the right to inspect any and all Product(s) involved in a warranty claim. Service or replacement decisions are at the sole discretion of Horizon. Proof of purchase is required for all warranty claims. SERVICE OR REPLACEMENT AS PROVIDED UNDER THIS WARRANTY IS THE PURCHASER'S SOLE AND EXCLUSIVE REMEDY.

**Limitation of Liability**—HORIZON SHALL NOT BE LIABLE FOR SPECIAL, INDIRECT, INCIDENTAL OR CONSEQUENTIAL DAMAGES, LOSS OF PROFITS OR PRODUCTION OR COMMERCIAL LOSS IN ANY WAY, REGARDLESS OF WHETHER SUCH CLAIM IS BASED IN CONTRACT, WARRANTY, TORT, NEGLIGENCE, STRICT LIABILITY OR ANY OTHER THEORY OF LIABILITY, EVEN IF HORIZON HAS BEEN ADVISED OF THE POSSIBILITY OF SUCH DAMAGES. Further, in no event shall the liability of Horizon exceed the individual price of the Product on which liability is asserted. As Horizon has no control over use, setup, final assembly, modification or misuse, no liability shall be assumed nor accepted for any resulting damage or injury. By the act of use, setup or assembly, the user accepts all resulting liability. If you as the purchaser or user are not prepared to accept the liability associated with the use of the Product, purchaser is advised to return the Product immediately in new and unused condition to the place of purchase.

**Law**—These terms are governed by Illinois law (without regard to conflict of law principals). This warranty gives you specific legal rights, and you may also have other rights which vary from state to state. Horizon reserves the right to change or modify this warranty at any time without notice.

## WARRANTY SERVICES

**Questions, Assistance, and Services**—Your local hobby store and/or place of purchase cannot provide warranty support or service. Once assembly, setup or use of the Product has been started, you must contact your local distributor or Horizon directly. This will enable Horizon to better answer your questions and service you in the event that you may need any assistance. For questions or assistance, please visit our website at [www.horizonhobby.com](http://www.horizonhobby.com), submit a Product Support Inquiry, or call the toll free telephone number referenced in the Warranty and Service Contact Information section to speak with a Product Support representative.

**Inspection or Services**—If this Product needs to be inspected or serviced and is compliant in the country you live and use the Product in, please use the Horizon Online Service Request submission process found on our website or call Horizon to obtain a Return Merchandise Authorization (RMA) number. Pack the Product securely using a shipping carton. Please note that original boxes may be included, but are not designed to withstand the rigors of shipping without additional protection. Ship via a carrier that provides tracking and insurance for lost or damaged parcels, as Horizon is not responsible for merchandise until it arrives and is accepted at our facility. An Online Service Request is available at [http://www.horizonhobby.com/content/service-center\\_render-service-center](http://www.horizonhobby.com/content/service-center_render-service-center). If you do not have internet access, please contact Horizon Product Support to obtain a RMA number along with instructions for submitting your product for service. When calling Horizon, you will be asked to provide your complete name, street address, email address and phone number where you can be reached during business hours. When sending product into Horizon, please include your RMA number, a list of the included items, and a brief summary of the problem. A copy of your original sales receipt must be included for warranty consideration. Be sure your name, address, and RMA number are clearly written on the outside of the shipping carton.

**NOTICE:** Do not ship LiPo batteries to Horizon. If you have any issue with a LiPo battery, please contact the appropriate Horizon Product Support office.

**Warranty Requirements**—For Warranty consideration, you must include your original sales receipt verifying the proof-of-purchase date. Provided warranty conditions have been met, your Product will be serviced or replaced free of charge. Service or replacement decisions are at the sole discretion of Horizon.

**Non-Warranty Service**—Should your service not be covered by warranty, service will be completed and payment will be required without notification or estimate of the expense unless the expense exceeds 50% of the retail purchase cost. By submitting the item for service you are agreeing to payment of the service without notification. Service estimates are available upon request. You must include this request with your item submitted for service. Non-warranty service estimates will be billed a minimum of ½ hour of labor. In addition you will be billed for return freight. Horizon accepts money orders and cashier's checks, as well as Visa, MasterCard,

American Express, and Discover cards. By submitting any item to Horizon for service, you are agreeing to Horizon's Terms and Conditions found on our website [http://www.horizonhobby.com/content/service-center\\_render-service-center](http://www.horizonhobby.com/content/service-center_render-service-center).

**ATTENTION:** Horizon service is limited to Product compliant in the country of use and ownership. If received, a non-compliant Product will not be serviced. Further, the sender will be responsible for arranging return shipment of the un-serviced Product, through a carrier of the sender's choice and at the sender's expense. Horizon will hold non-compliant Product for a period of 60 days from notification, after which it will be discarded.

10/15

## Contact Information

Country of Purchase	Horizon Hobby	Contact Information	Address
United States of America	Horizon Service Center (Repairs and Repair Requests)	<a href="http://servicecenter.horizonhobby.com/RequestForm/">servicecenter.horizonhobby.com/RequestForm/</a>	2904 Research Rd Champaign, Illinois, 61822 USA
	Horizon Product Support (Product Technical Assistance)	<a href="mailto:productsupport@horizonhobby.com">productsupport@horizonhobby.com</a> 877-504-0233	
	Sales	<a href="mailto:websales@horizonhobby.com">websales@horizonhobby.com</a> 800-338-4639	
European Union	Horizon Technischer Service	<a href="mailto:service@horizonhobby.eu">service@horizonhobby.eu</a>	Hanskampring 9 D 22885 Barsbüttel, Germany
	Sales: Horizon Hobby GmbH	+49 (0) 4121 2655 100	

## FCC Information

### Contains FCC ID: BRWKATY1T BRWSPMSR6200A

This equipment complies with FCC and IC radiation exposure limits set forth for an uncontrolled environment. This equipment should be installed and operated with minimum distance 20cm between the radiator and/or antenna and your body (excluding fingers, hands, wrists, ankles and feet). This transmitter must not be co-located or operating in conjunction with any other antenna or transmitter.

#### Supplier's Declaration of Conformity

#### **FC** HBZ Apprentice S 2 1.2m RTF Basic (HBZ310001):

This device complies with part 15 of the FCC Rules. Operation is subject to the following two conditions: (1) This device may not cause harmful interference, and (2) this device must accept any interference received, including interference that may cause undesired operation.



**CAUTION:** Changes or modifications not expressly approved by the party responsible for compliance could void the user's authority to operate the equipment.

**NOTE:** This equipment has been tested and found to comply with the limits for a Class B digital device, pursuant to part 15 of the FCC Rules. These limits are designed to provide reasonable protection against harmful interference in a residential installation. This equipment generates, uses and can radiate

radio frequency energy and, if not installed and used in accordance with the instructions, may cause harmful interference to radio communications. However, there is no guarantee that interference will not occur in a particular installation. If this equipment does cause harmful interference to radio or television reception, which can be determined by turning the equipment off and on, the user is encouraged to try to correct the interference by one or more of the following measures:

- Reorient or relocate the receiving antenna.
- Increase the separation between the equipment and receiver.
- Connect the equipment into an outlet on a circuit different from that to which the receiver is connected.
- Consult the dealer or an experienced radio/TV technician for help.

Horizon Hobby, LLC  
2904 Research Rd.,  
Champaign, IL 61822  
Email: [compliance@horizonhobby.com](mailto:compliance@horizonhobby.com)  
Web: [HorizonHobby.com](http://HorizonHobby.com)

## IC Information

### Contains IC: 6157A-KATY1T

### 6157A-SPMSR6200A

### CAN ICES-3 (B)/NMB-3(B)

This device contains license-exempt transmitter(s)/receiver(s) that comply with Innovation, Science, and Economic Development Canada's license-exempt RSS(s). Operation is subject to the following 2 conditions:

1. This device may not cause interference.
2. This device must accept any interference, including interference that may cause undesired operation of the device.

## Compliance Information for the European Union

### CE EU Compliance Statement:

**HBZ Apprentice S 2 1.2m RTF (HBZ310001);** Hereby, Horizon Hobby, LLC declares that the device is in compliance with the following: Radio Equipment Directive (RED) 2014/53/EU; EU EMC Directive 2014/30/EU; RoHS 2 Directive 2011/65/EU; RoHS 3 Directive - Amending 2011/65/EU Annex II 2015/863.

**HBZ Apprentice S 2 1.2m BNF (HBZ315001);** Hereby, Horizon Hobby, LLC declares that the device is in compliance with the following: Radio Equipment Directive (RED) 2014/53/EU; EU EMC Directive 2014/30/EU; RoHS 2 Directive 2011/65/EU; RoHS 3 Directive - Amending 2011/65/EU Annex II 2015/863.

The full text of the EU declaration of conformity is available at the following internet address: <https://www.horizonhobby.com/content/support-render-compliance>.

**NOTE:** This product contains batteries that are covered under the 2006/66/EC European Directive, which cannot be disposed of with normal household waste. Please follow local regulations.

### Wireless Frequency Range and Wireless Output Power:

#### Transmitter:

2402-2478MHz  
17.7dBm

#### Receiver:

2404-2476MHz  
5.58dBm

### EU Manufacturer of Record:

Horizon Hobby, LLC  
2904 Research Road  
Champaign, IL 61822 USA

### EU Importer of Record:

Horizon Hobby, GmbH  
Hanskampring 9  
22885 Barsbüttel Germany

### WEEE NOTICE:



This appliance is labeled in accordance with European Directive 2012/19/EU concerning waste of electrical and electronic equipment (WEEE). This label indicates that this product should not be disposed of with household waste. It should be deposited at an appropriate facility to enable recovery and recycling.



E328



**HINWEIS**

Allen Anweisungen, Garantien und anderen zugehörigen Dokumenten sind Änderungen nach Ermessen von Horizon Hobby, LLC vorbehalten. Aktuelle Produktliteratur finden Sie unter [www.horizonhobby.com](http://www.horizonhobby.com) oder [www.towerhobbies.com](http://www.towerhobbies.com) im Support-Abschnitt für das Produkt.

**Begriffserklärung:**

Die folgenden Begriffe werden in der gesamten Produktliteratur verwendet, um die Gefährdungsstufen im Umgang mit dem Produkt zu definieren:

**WARNUNG:** Verfahren, die bei nicht ordnungsgemäßer Durchführung womöglich Schäden an Eigentum, Kollateralschäden und schwere Verletzungen ODER höchstwahrscheinlich oberflächliche Verletzungen verursachen können.

**ACHTUNG:** Verfahren, die bei nicht ordnungsgemäßer Durchführung womöglich Schäden an physischem Eigentum UND schwere Verletzungen verursachen können.

**HINWEIS:** Verfahren, die bei nicht ordnungsgemäßer Durchführung womöglich Schäden an physischem Eigentum UND geringfügige oder keine Verletzungen verursachen können.



**WARNUNG:** Lesen Sie die GESAMTE Bedienungsanleitung, um sich vor Inbetriebnahme mit den Funktionen des Produkts vertraut zu machen. Eine nicht ordnungsgemäße Bedienung des Produkts kann das Produkt und persönliches Eigentum schädigen und schwere Verletzungen verursachen.

Dies ist ein hoch entwickeltes Produkt für den Hobbygebrauch. Es muss mit Vorsicht und Umsicht bedient werden und erfordert einige mechanische Grundfertigkeiten. Wird das Produkt nicht sicher und umsichtig verwendet, so könnten Verletzungen oder Schäden am Produkt oder anderem Eigentum entstehen. Dieses Produkt ist nicht für den Gebrauch durch Kinder ohne direkte Aufsicht eines Erwachsenen vorgesehen. Versuchen Sie nicht, das Produkt ohne Zustimmung von Horizon Hobby, LLC zu zerlegen, mit nicht kompatiblen Komponenten zu verwenden oder beliebig zu verbessern. Dieses Handbuch enthält Sicherheitshinweise sowie Anleitungen zu Betrieb und Wartung. Es ist unerlässlich, dass Sie alle Anleitungen und Warnungen in diesem Handbuch vor dem Zusammenbau, der Einrichtung oder der Inbetriebnahme lesen und diese befolgen, um eine korrekte Bedienung zu gewährleisten und Schäden bzw. schwere Verletzungen zu vermeiden.

**ALTERSEMPFEHLUNG: Nicht für Kinder unter 14 Jahren. Dies ist kein Spielzeug.**



**WARNUNG GEGEN GEFÄLSCHTE PRODUKTE:** Sollten Sie jemals eine Spektrum Komponente ersetzen wollen, kaufen Sie die benötigten Ersatzteile immer bei Horizon Hobby oder einem von Horizon hobby autorisiertem Händler um die hohe Qualität des Produktes zu gewährleisten. Horizon Hobby LLC lehnt jedwede Haftung, Garantie oder Unterstützung sowie Kompatibilitäts- oder Leistungsansprüche zu DSM oder Spektrum in Zusammenhang mit gefälschten Produkten ab.

## Sicherheitsmaßnahmen und Warnungen

Als Benutzer dieses Produkts sind ausschließlich Sie für einen Betrieb verantwortlich, der weder Sie selbst noch andere gefährdet, bzw. der weder das Produkt noch Eigentum anderer beschädigt.

- Halten Sie stets in alle Richtungen einen Sicherheitsabstand zu Ihrem Modell ein, um Kollisionen und Verletzungen zu vermeiden. Dieses Modell wird über ein Funksignal gesteuert. Funksignale können von außerhalb gestört werden, ohne dass Sie darauf Einfluss nehmen können. Störungen können zu einem vorübergehenden Verlust der Steuerungskontrolle führen.
- Betreiben Sie Ihr Modell stets auf offenen Geländen, weit ab von Autos, Verkehr und Menschen.
- Befolgen Sie die Anweisungen und Warnungen für dieses Produkt und jedwedes optionales Zubehörteil (Ladegeräte, wieder aufladbare Akkus etc.) stets sorgfältig.
- Halten Sie sämtliche Chemikalien, Kleinteile und elektrische Komponenten stets außer Reichweite von Kindern.
- Vermeiden Sie den Wasserkontakt aller Komponenten, die nicht speziell dafür ausgelegt und entsprechend geschützt sind. Feuchtigkeit beschädigt die Elektronik.
- Nehmen Sie niemals ein Element des Modells in Ihren Mund, da dies zu schweren Verletzungen oder sogar zum Tod führen könnte.
- Betreiben Sie Ihr Modell niemals mit schwachen Senderbatterien.
- Behalten Sie das Modell stets im Blick und unter Kontrolle.
- Verwenden Sie nur vollständig aufgeladene Akkus.
- Behalten Sie den Sender stets eingeschaltet, wenn das Modell eingeschaltet ist.
- Entfernen Sie stets den Akku, bevor Sie das Modell auseinandernehmen.
- Halten Sie bewegliche Teile stets sauber.
- Halten Sie die Teile stets trocken.
- Lassen Sie die Teile stets auskühlen, bevor Sie sie berühren.
- Entfernen Sie nach Gebrauch stets den Akku.
- Stellen Sie immer sicher, dass der Failsafe vor dem Flug ordnungsgemäß eingestellt ist.
- Betreiben Sie das Modell niemals bei beschädigter Verkabelung.
- Berühren Sie niemals sich bewegende Teile.

## Registrierung

Registrieren Sie Ihr Produkt heute, um zu unserer Mailing-Liste zu gehören und mit Produktaktualisierungen, Angeboten und Hobbyzone News auf dem neuesten Stand zu sein.



## Inhaltsverzeichnis

Registrierung.....	31
Anleitung zur Fertigstellung.....	31
Erforderliches Werkzeug.....	31
Aircraft Components.....	32
Montage.....	33
Spektrum DXS Sender.....	35
Installation des Flug-Akkus und Aktivierung des elektronischen Geschwindigkeitsreglers (ESC).....	36
Schwerpunkt (CG).....	37
Steuerrichtungstest.....	38
Vor Ihrem ersten Flug.....	38
Wählen Sie ein Flugfeld.....	39
Reichweitentest.....	39
Flugsteuerung.....	40
Flugmodi der SAFE-(Sensor Assisted Flight Envelope-)Technologie.....	41
Checkliste vor dem Flug.....	43
Fliegen.....	43
Trimmung des Flugzeugs.....	45
Nach dem Flug.....	46
Binden von Sender und Empfänger.....	46
Flugausbildung.....	47
Konfiguration des Senders BNF Basic.....	48
Optionale Schwimmer (Starten und Landen auf Wasser).....	50
Wartung und Reparaturen.....	51
Leitfaden Zur Problemlösung SAFE Technologie.....	52
Leitfaden zur Problemlösung.....	52
Ersatzteile.....	53
Empfohlene Teile.....	53
Optionale Teile.....	53
Hardware.....	53
Glossar wichtiger Begriffe.....	54
Haftungsbeschränkung.....	54
Garantie und Service Kontaktinformationen.....	55
Konformitätshinweise für die Europäische Union.....	55

Spezifikationen	
Spannweite	1300mm
Länge	865mm
Gewicht	Ohne Akku: 1075g Mit empfohlenem 3S 2200mAh Flug-Akku 1285g

Enthaltene Ausrüstung	
Sender	Spektrum DXS 2,4GHz (SPMR1010)
Sender-Akkus	4 AA-Alkali
Empfänger	Spektrum AR631 AS3X/SAFE Empfänger mit 6 Kanälen (SPMAR631)
Geschwindigkeitsregler	30 A 3S/4S Geschwindigkeitsregler mit Telemetrie (EFLA1030FB)
Motor	2832-1300Kv 14-polig (SPMXAM1900)
Propeller	8,25 x 5,5 (EFLP82555)
Servos	(2) Querruder, A381 9g Sub-Micro (SPMSA381) (1) Höhenruder, A382 14g Sub-Micro MG (SPMSA382) (1) Seitenruder/Bugrad, A382 14g Sub-Micro MG (SPMSA382)

Erforderliches Zubehör	
Flug-Akku	3S 11.1V 1300mAh LiPo-Akku mit IC3-Anschluss
Akkuladegerät	Kompatibel mit 3S LiPo-Akku

Empfohlene Ausrüstung	
SPMXPSA200	Smart G2 Air Powerstage 2

Optionales Zubehör	
HBZ3113	Kabel zur Schwimmermontage: MiniApprentice
HBZ7390	Schwimmer-Satz: Super Cub LP
SPMR6775	Nur NX6 6-Kanal-Sender
RFL1205	RealFlight Trainer Edition RC-Flugsimulator
SPMWS2000	Drahtloser Simulator USB-Dongle (SPMWS2000)
SPMXPSA3	Smart Powerstage Aircraft Bundle 3S
SPMXC1070	Smart S150 Wechsel-/Gleichstrom-Ladegerät, 1x50 W
SPMXBC100	SMART-Akku und Servotester

## Anleitung zur Fertigstellung

Scannen Sie diesen QR-Code, um die Anleitung zur Fertigstellung anzusehen und Informationen zum empfohlenen Powerstage-Paket Akku und Ladegerät zu erhalten.

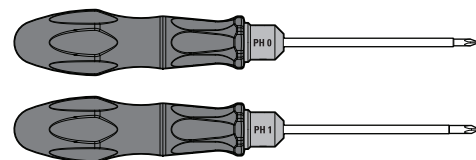


HBZ310001



HBZ315001

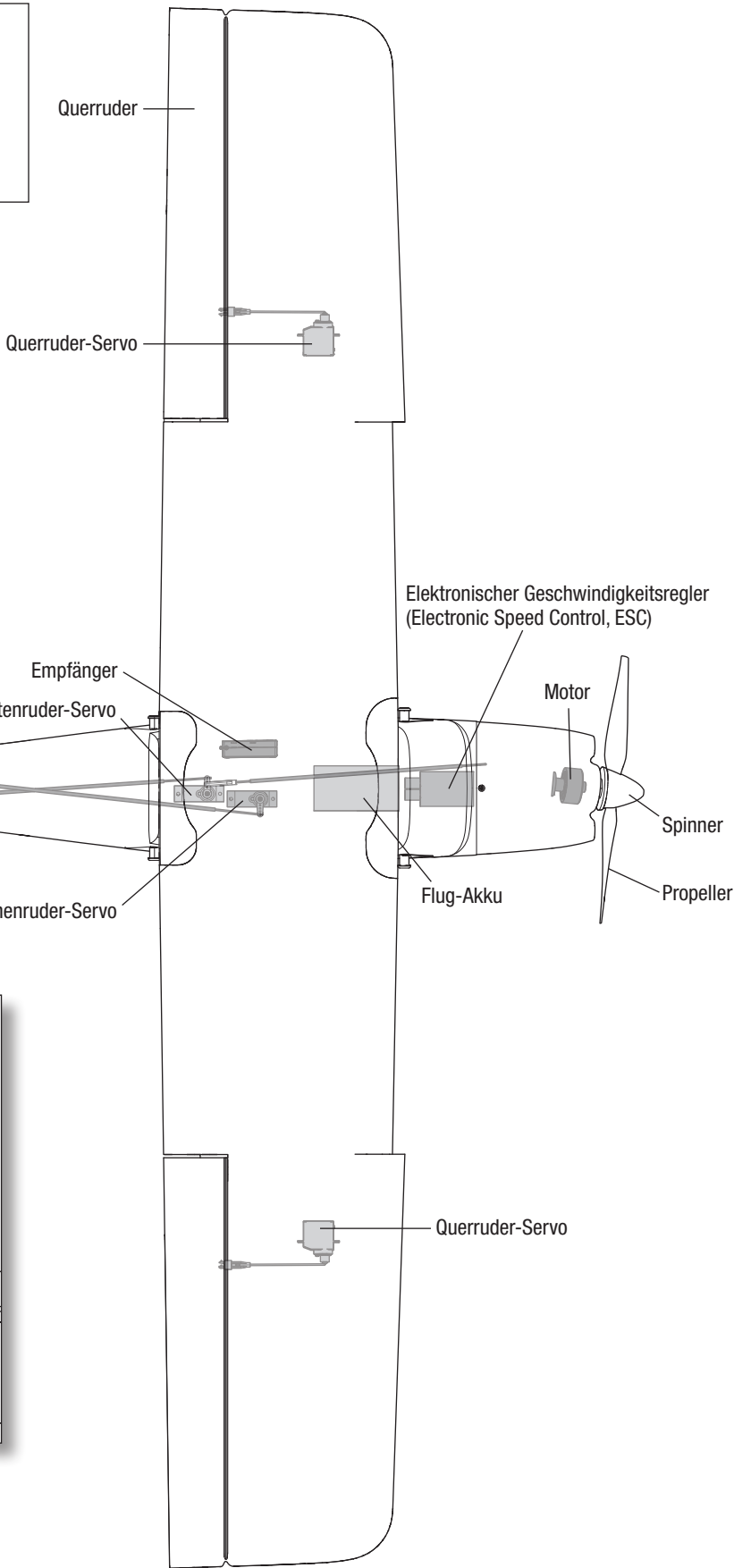
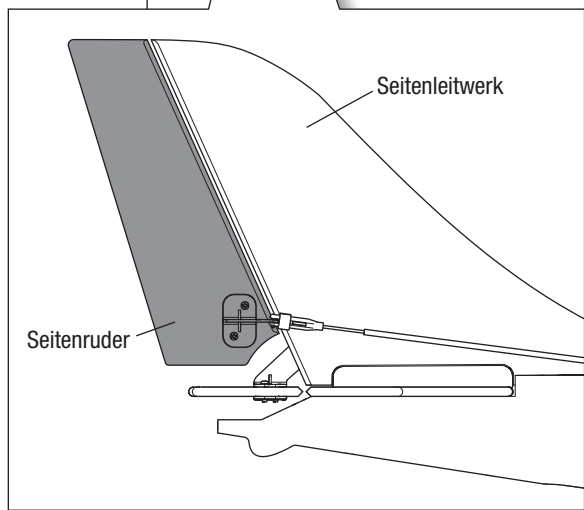
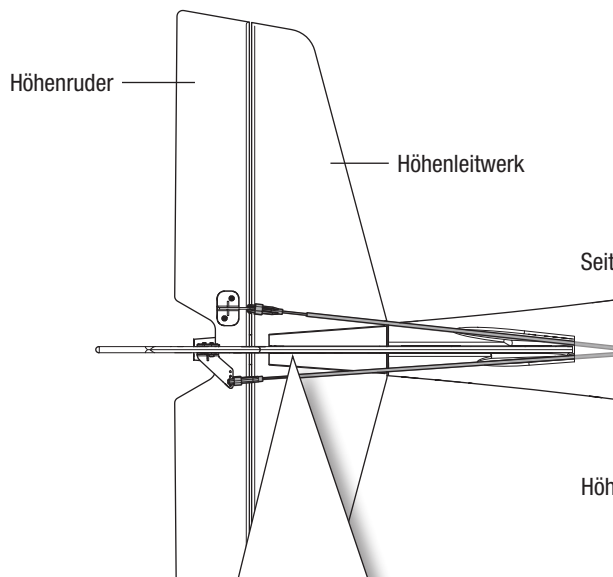
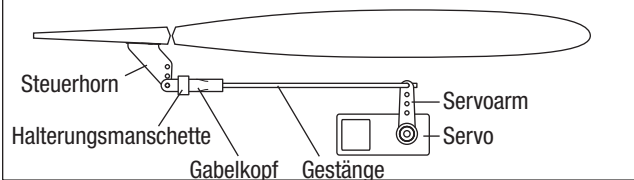
## Erforderliches Werkzeug



- Kreuzschlitzschraubendreher (PH#0, PH#1)

# Aircraft Components

## Typische Steuerkomponenten





## Montage

Wir empfehlen jeden Abschnitt dieser Anleitung durchzulesen, bevor Sie mit dem Zusammenbau gemäß den angegebenen Schritten beginnen. Außerdem empfehlen wir, das gesamte Montagevideo durch Scannen dieses QR-Codes oder unter folgendem URL anzuschauen:



Montagevideo

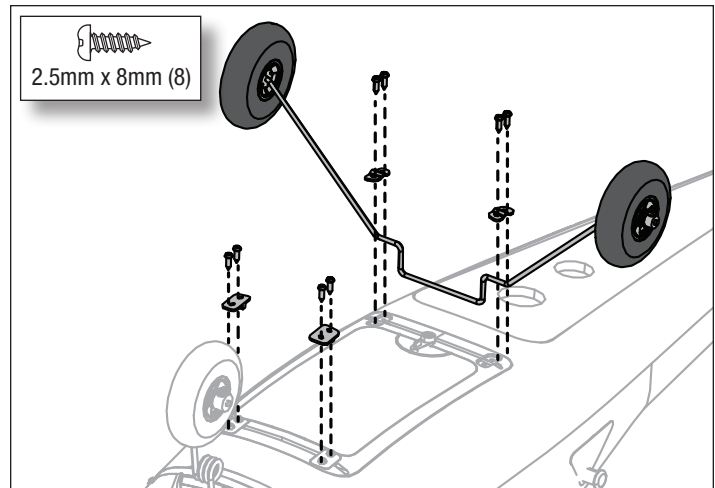
### Montage des Fahrwerks

Apprentice S 2 1.2m beinhaltet Hardware-Optionen zur Radinstallation sowie die notwendigen Verstrebungen zur optionalen Installation von Schwimmern (Schwimmer nicht enthalten).

1. Die Hauptfahrwerkbaugruppe in den Schlitz am Boden des Rumpfs montieren.
2. Die beiden Fahrwerkhalter wie angezeigt über der Fahrwerkbaugruppe montieren und mit vier 2,5mm x 8mm Kreuzschlitzschrauben und einem PH#1 Kreuzschlitzschraubendreher sichern.

**WICHTIG:** Die Schrauben im Kunststoff nicht zu fest anziehen. Die Schrauben nur so weit anziehen, bis die Halter fest sitzen und das Fahrwerk nicht locker ist.

3. Das optionale Gestänge für den Schwimmer-Satz montieren, mit vier 2,5mm x 8mm Kreuzschlitzschrauben und einem PH#1 Kreuzschlitzschraubendreher sichern, um zu verhindern, dass die Halter verloren gehen. Diese Halter sind zur Installation der zusätzlichen Kabel zur Montage des Schwimmer-Satzes erforderlich.



### Montage des Hecks

Wir empfehlen Kapitel/Abschnitt "Montage des Hecks" des Montagevideos anzusehen, durch Scannen dieses QR-Codes oder unter folgendem URL: [www.horizonhobby.cc/ApprenticeS2assembly](http://www.horizonhobby.cc/ApprenticeS2assembly).



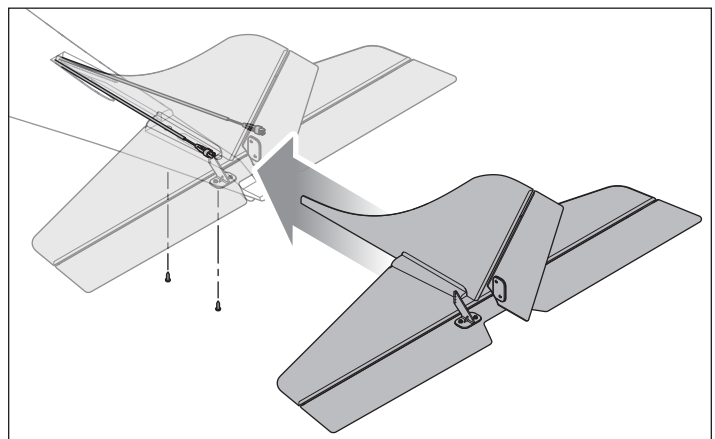
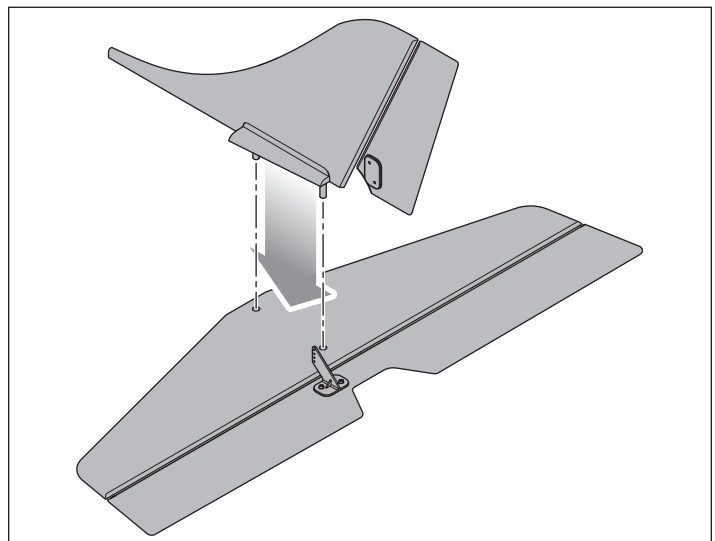
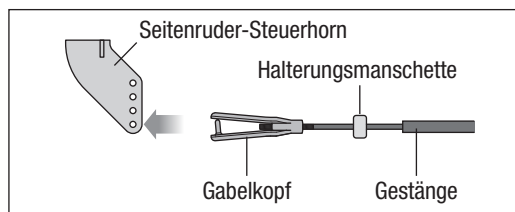
Montagevideo

1. Die zwei Stifte an der Basis des Seitenleitwerks wie angezeigt durch die Öffnungen im Höhenleitwerk einführen.
2. Die Heck-Baugruppe unter und zwischen dem Steuergestänge führen und die Stifte des Seitenleitwerks in die entsprechenden Öffnungen im hinteren Rumpf einführen.
3. Am Boden des Rumpfs mit einem PH#1 Kreuzschlitzschraubendreher zwei 2,5mm x 8mm Kreuzschlitzschrauben durch die Öffnungen am Rumpf und in den Stiften des Seitenleitwerks anbringen.

**WICHTIG:** Die Schrauben im Kunststoff nicht zu fest anziehen. Die Schrauben nur so weit anziehen, bis Seiten- und Höhenleitwerk fest sitzen.

4. Die Gabelköpfe der Seitenruder- und Höhenruder-Steuerhörner befestigen, indem Sie die Gabelköpfe vorsichtig aufhebeln, den Gabelkopfbolzen durch das äußerste Loch des Steuerhorns einsetzen und die Seite des Gabelkopfs wieder über dem Gabelkopfbolzen schließen und so das Steuerhorn dazwischen einfangen.

5. Schieben Sie die Halterungsmanschette über den Gabelkopf, um ein Öffnen der Seiten des Gabelkopfs zu vermeiden.



## Montage der Tragfläche

Wir empfehlen Kapitel/Abschnitt "Montage der Tragfläche" des Montagevideos anzusehen, durch Scannen dieses QR-Codes oder unter folgendem URL: [www.horizonhobby.cc/ApprenticeS2assembly](http://www.horizonhobby.cc/ApprenticeS2assembly).



Montagevideo

Die Tragfläche von Apprentice S 2 1.2m ist mit vier der enthaltenen Gummibänder am Rumpf gesichert. Diese Installationsmethode ermöglicht der Tragfläche sich bei einer unsanften Landung oder einem Absturz zu bewegen oder vom Rumpf zu trennen und so die Schäden am Flugwerk zu minimieren. Die Verwendung von mehr als vier Gummibändern wird nicht empfohlen, da die Tragfläche durch zusätzliche Bänder zu fest am Rumpf gesichert werden kann.

1. Die Servo-Anschlüsse des Querruders mit dem Y-Kabelbaum mit der Kennzeichnung „AIL“ im Rumpf verbinden. Die linken und rechten Servos können auf beiden Seiten des Y-Kabelbaums angeschlossen werden. Sicherstellen, dass der Y-Kabelbaum mit Anschluss 2 des Empfängers verbunden ist. Der ordnungsgemäße Betrieb des SAFE-Systems setzt voraus, dass beide Querruder mit dem mitgelieferten Y-Kabel und Anschluss 2 des Empfängers verbunden sind.

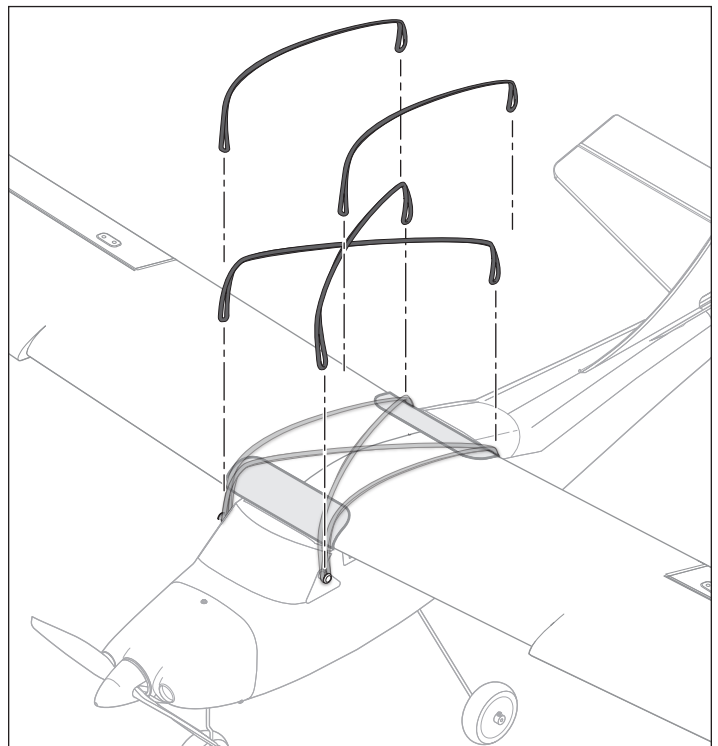
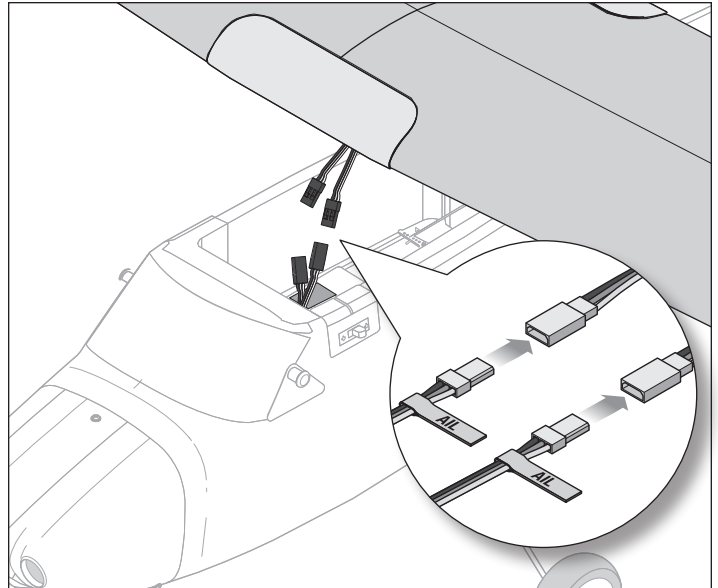
**WICHTIG:** Sicherstellen, dass die Servo-Anschlüsse und der Y-Kabelbaum mit der richtigen Polarität angeschlossen sind. Die Anschlüsse haben an zwei Ecken einen kleinen Kegel, der auf den entsprechenden Kegel in den Anschlüssen des Y-Kabelbaums ausgerichtet sein muss. Außerdem müssen die Farben der Kabel zwischen Servos und Y-Kabelbaum übereinstimmen.

2. Zentrieren Sie die Tragfläche auf dem Rumpf. Der Boden der Tragfläche muss flach an der Oberseite des Tragflächenauflage am Rumpf aufliegen.

**WICHTIG:** Sicherstellen, dass die Servokabel des Querruders nicht zwischen der Tragfläche und dem Rumpf eingeklemmt sind.

3. Die Tragfläche mit vier Gummibändern zwischen den Stiften vorne und hinten am Rumpf und über die Oberseite der Tragfläche sichern.

**TIPP:** Jedes der beiden ersten Bänder diagonal anbringen, beginnend am vorderen Stift zum hinteren Stift auf der anderen Seite des Rumpfs. Die beiden letzten Bänder beginnend am vorderen Stift gerade zum hinteren Stift auf der selben Seite des Rumpfs.



## Spektrum DXS Sender

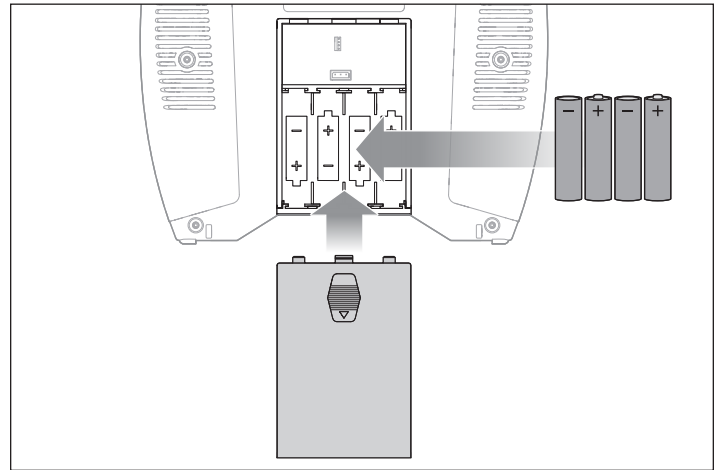
### Die Sender-Akkus einsetzen

1. Entfernen Sie die Abdeckung des Akkufachs.
2. Setzen Sie die enthaltenen vier AA-Akkus ein und vermerken Sie die richtige Polarität.
3. Die Akku-Abdeckung wieder anmontieren.

### Alarm niedriger Akkustand

Fällt die Akku-Spannung des Senders unter 4,7 Volt, so wird ein Alarm ertönen und die Spannungs-LED blinken. Tauschen Sie die Akkus sofort aus. ertönt der Alarm während des Flugs, so landen Sie Ihr Fluggerät so schnell wie möglich.

**ACHTUNG:** Bei der Verwendung von wiederaufladbaren Akkus dürfen auch nur solche erneut geladen werden. Das Laden von normalen, nicht wiederaufladbaren Akkus kann ein Platzen der Akkus und damit verbundene Personen- und/oder Sachschäden verursachen.



### Sender-Schalter und LEDs

**Taste A = Trainer-/Bindungs-/Panikschalter:** Dieser Schalter dient zur Steuerung der Betriebsarten Trainer, Bindung und Notrückholung.

Informationen zur Benutzung des Senders als Teil eines Sozium-Trainingsystems siehe Abschnitt Flugausbildung.

Informationen zum neuen Binden Ihres Senders und Fluggeräts falls nötig siehe Abschnitt Bindung. Der enthaltene Sender ist werkseitig mit dem Empfänger/Fluggerät gebunden. Deshalb ist Bindung typischerweise nicht nötig.

Informationen zum Notrückholungsmodus siehe Abschnitt SAFE-(Sensor Assisted Flight Envelope-)Technologie.

**Schalter F = Hoch-/Niedrig-Geschwindigkeitsschalter:** Dieser Schalter unterstützt Hoch-/Niedrig-Geschwindigkeits-Funktionen an Querruder-, Höhenruder- und Seitenruderkanälen.

Wir empfehlen beim Fliegen lernen zuerst niedrige Geschwindigkeiten zu benutzen, um geschmeidig und präziser zu manövrieren und höhere Geschwindigkeiten für aggressivere Flugmanöver und Kunstflug.

In der oberen Position oder Position „HI“, ist der Servoweg vollständig auf diesen Kanälen.

In der unteren Position oder Position „LO“, wird der Servoweg auf 70% verringert.

**Schalter B – Flugmodus-Schalter:** Dieser Schalter wird benutzt, um den SAFE-Flugmodus auszuwählen. Informationen zu den verschiedenen SAFE-Flugmodi siehe Abschnitt SAFE-(Sensor Assisted Flight Envelope-)Technologie.

**Schalter H – Gasabschaltungsschalter** Dieser Schalter aktiviert die Gasabschaltung.

Bei aktivierter Gasabschaltung (Schalter H, Position 1) ist die Gaszufuhr vom Gashebel deaktiviert. Diese Sicherheitsfunktion gewährleistet, dass durch jegliche versehentliche Bewegung des Gashebels der Motor nicht aktiviert wird, während der Flug-Akku angeschlossen ist.

Bei deaktivierter Gasabschaltung (Schalter H, Position 0) wird durch jegliche Position des Gashebels über der niedrigsten Einstellung der Motor des Fluggeräts aktiviert.

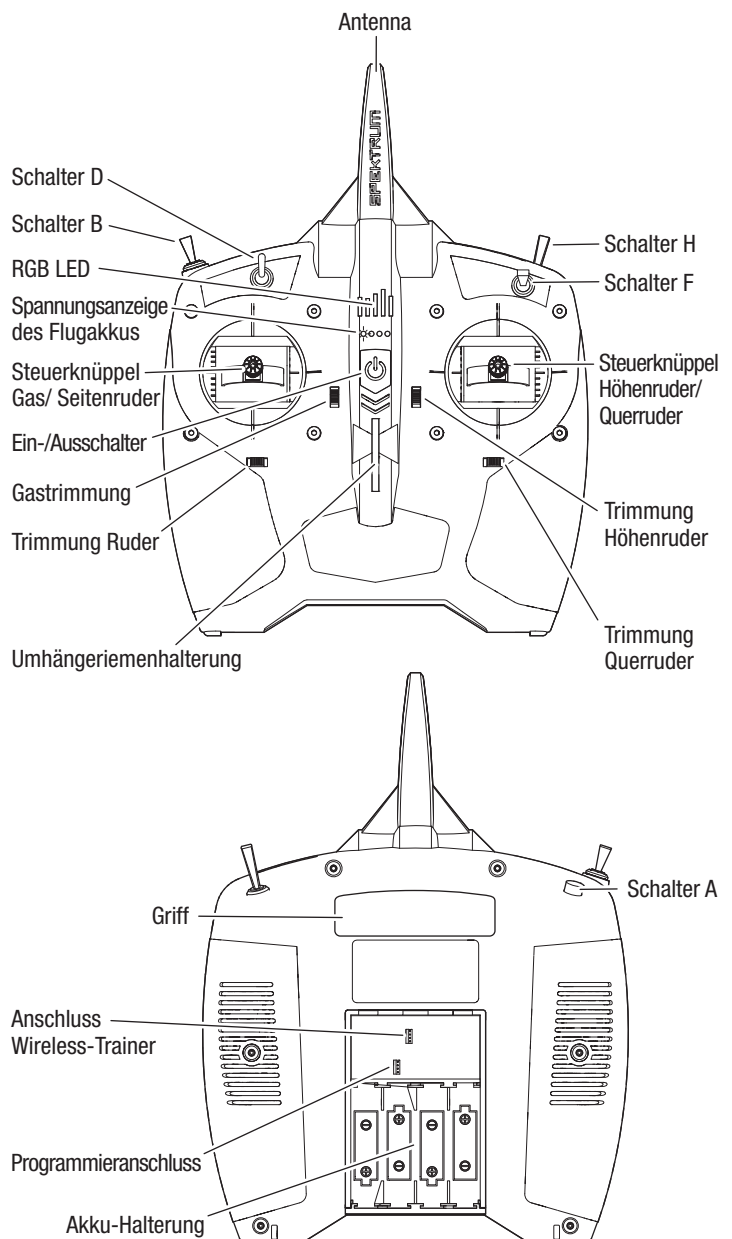
**HINWEIS:** Achten Sie stets darauf, dass der Gashebel sich auf der niedrigsten Einstellung befindet, bevor Sie die Funktion Gasabschaltung ausschalten. Andernfalls kommt es zu einer Aktivierung des Motors.

**Schalter D = Kanal 7 Schalter:** Dieser Schalter wird für dieses Fluggerät nicht benutzt.

### RGB LED und hörbare Anweisungen:

**Blinken mit Signaltönen:** Der Sender ist im Bindungsmodus, denn die Taste Binden wurde gedrückt gehalten während der Sender eingeschaltet wurde. Weitere Informationen finden Sie im Abschnitt Binden.

**Pulsiert alle 2 Sekunden mit einem tiefen Signalton:** Die Akku-Spannung des Empfängers ist unter 4,7 Volt gefallen. Tauschen Sie die Sender-Akkus sofort aus. Tritt dies während des Flugs auf, so landen Sie das Fluggerät so schnell wie möglich.



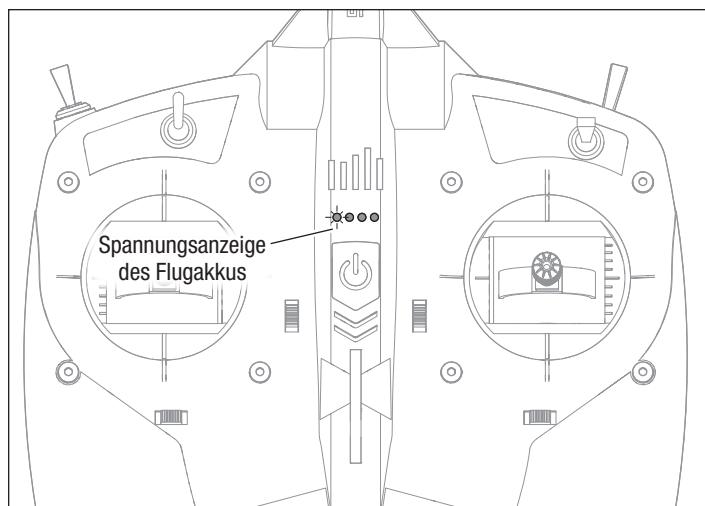
## Spannungsanzeige des Flug-Akkus

Der enthaltene DXS Sender ist mit einer Funktion Spannungsanzeige des Flug-Akkus ausgestattet, die mit kompatiblen Smart-Technology-Empfängern, Flugsteuerungen und telemetriefähigen Geschwindigkeitsreglern arbeitet. Diese Smart-Technology-Funktion dient zur visuellen Darstellung von ungefähr verbleibender Spannung/Strom des Flug-Akkus über die vier LED-Anzeigen am Sender.

- Bei vollständig aufgeladenem Akku leuchten alle vier LEDs durchgehend auf.
- Wird die Gaszufuhr erhöht, fällt die Akkuspannung, wodurch die LEDs weniger Spannung und verbleibende Akku-Kapazität anzeigen, durch weniger durchgehend leuchtende oder blinkende LEDs.
- Wird die Gaszufuhr verringert, verringert sich der Ladezustand des Akkus und die Akku-Spannung steigt, was durch mehr durchgehend leuchtende oder blinkende LEDs angezeigt wird. Im Laufe der Zeit verbleibt weniger nutzbare Kapazität des Akkus und weniger Leistung ist verfügbar, was durch weniger durchgehend leuchtende oder blinkende LEDs angezeigt wird.
- Wenn die letzte LED zu blinken beginnt, ertönt der Alarm Niedrigspannung Flug-Akku am Sender bevor die Funktion Niedrigtrennsprung im Geschwindigkeitsregler der Fluggeräts ausgelöst wird (siehe Abschnitt Fliegen für eine Beschreibung der Funktion Niedrigtrennsprung). Der Niedrigspannungsalarm des Flug-Akkus ertönt 25 Sekunden lang. Wird die Gaszufuhr verringert und die Spannung des Flug-Akkus erholt sich, weil genug nutzbare Kapazität im Flug-Akku verbleibt, stoppt der Alarm vor Ablauf von 25 Sekunden. In jedem Fall landen Sie das Fluggerät so rasch wie praktisch möglich nach dem Ertönen des Alarms.

Rücksetzen der Warnung vor Unterspannung des Akkus

1. Trennen Sie den Flug-Akku mindestens 15 Sekunden lang vom Fluggerät, oder so lange bis die LED-Anzeige der Flug-Akku-Spannung auf dem DXS-Sender erlischt.
2. Einen voll aufgeladenen Akku mit dem Fluggerät verbinden. Die Spannungsanzeige des Flug-Akkus wird vor dem nächsten Flug zurückgesetzt.



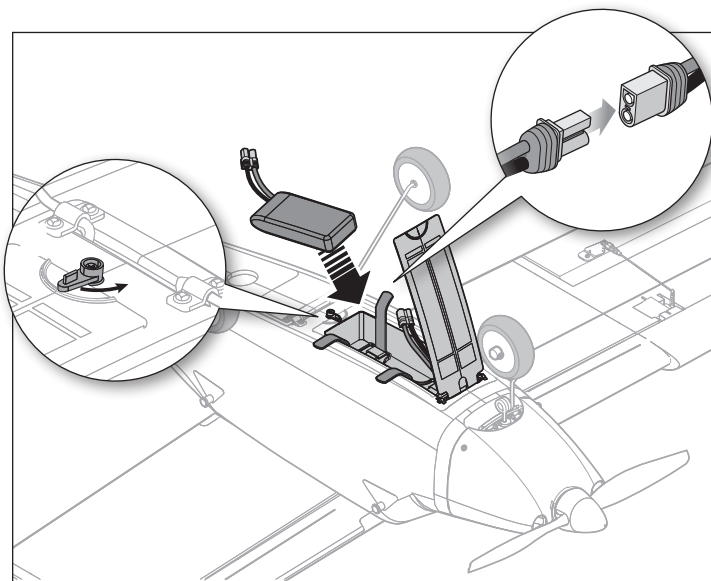
## Installation des Flug-Akkus und Aktivierung des elektronischen Geschwindigkeitsreglers (ESC)

**ACHTUNG:** Immer die Hände vom Propeller fernhalten. Der Motor reagiert im eingeschalteten Zustand auf eine Bewegung des Gashebels mit einer Drehung des Propellers.

1. Gashebel am Sender absenken und Gasabschaltung einschalten (Schalter H, Position 1). Bei aktivierter Gasabschaltung ist die Gaszufuhr vom Gashebel deaktiviert. Diese Sicherheitsfunktion gewährleistet, dass durch jegliche versehentliche Bewegung des Gashebels der Motor nicht aktiviert wird, während der Flug-Akku angeschlossen ist.

**WICHTIG:** Falls Sie versehentlich den Akku angeschlossen haben, während sich das Gas nicht in seiner niedrigsten Position befand, wird der Geschwindigkeitsregler nicht aktiviert. Reduzieren Sie das Gas auf seine niedrigste Einstellung, damit der Geschwindigkeitsregler aktiviert wird.

2. Den Sender einschalten und vor dem Fortfahren etwa 5 Sekunden warten.
3. Legen Sie das Fluggerät auf einer flachen Oberfläche mit nach oben weisendem Fahrwerk ab.
4. Drehen Sie die Verriegelung des Akkufachs und nehmen Sie die Akkuabdeckung ab.
5. Sichern Sie den Flug-Akku mit den Klettbandern im Akkufach, damit das Fluggerät den richtigen ausbalancierten Schwerpunkt (CG) aufweist. Informationen zum Messen des Schwerpunkts siehe den Abschnitt Schwerpunkt (CG).
6. Den Flug-Akku mit der richtigen Polarität am Anschluss des Geschwindigkeitsreglers anschließen.
7. Bringen Sie die Akkuabdeckung wieder an und schließen Sie sie mit der Verriegelung des Akkufachs.
8. Stellen Sie das Fluggerät aufrecht auf sein Fahrwerk. Halten Sie das Fluggerät während der Initialisierung des SAFE-Systems still.
9. Nach der Initialisierung des SAFE-Systems werden sich die Steuerflächen hin und her bewegen und dann in die Neutralstellung begeben, um so die Initialisierung des SAFE-Systems und die Einsatzbereitschaft anzuzeigen.



**WICHTIG:** Wenn das Fluggerät bewegt wird und die Initialisierung nicht innerhalb von circa 30 Sekunden abgeschlossen wird, trennen Sie den Flug-Akku und schließen ihn danach wieder an, um das System zurückzusetzen.

**WICHTIG:** Die AS3X-Technologie im Modus „Experte“ ist nicht aktiv, bis Sie das Gas über 25 % vorrücken. Sobald es aktiv ist, können sich die Steuerflächen am Fluggerät bewegen. Das ist normal. Die AS3X-Technologie bleibt bis zur Trennung des Geschwindigkeitsreglers aktiv.

**ACHTUNG:** Trennen Sie immer den Li-Po Flug-Akku vom Sender des Fluggeräts, wenn es nicht geflogen wird, um ein übermäßiges Entladen des Akkus zu vermeiden.

## Schwerpunkt (CG)

Ein Fluggerät mit dem richtigen Schwerpunkt ist an einem berechneten Punkt für einen sicheren und stabilen Flug ausbalanciert. Das Fluggerät sollte beim Fliegen im Modus „Anfänger“ mit richtig ausbalanciertem Schwerpunkt bei voller Leistung allmählich steigen und bei 50-60% Leistung ohne zusätzliche Höhenrudereingabe im Horizontalflug fliegen.

Liegt der Schwerpunkt zu weit vorne (kopflastig), ist Höhenruder nach oben bei 50-60% Leistung für Horizontalflug erforderlich.

Bei zu weit hinten liegendem Schwerpunkt (hecklastig) muss für Horizontalflug das Höhenruder nach unten gestellt werden.

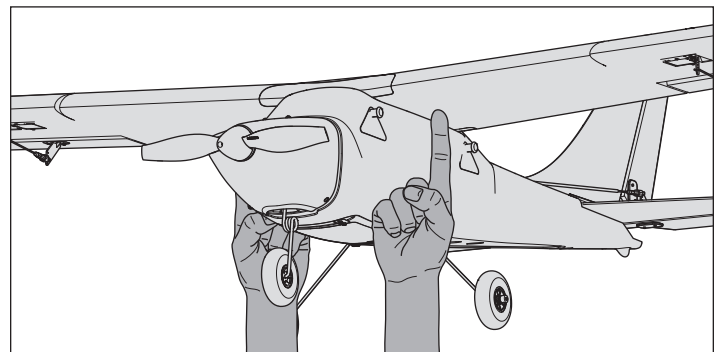
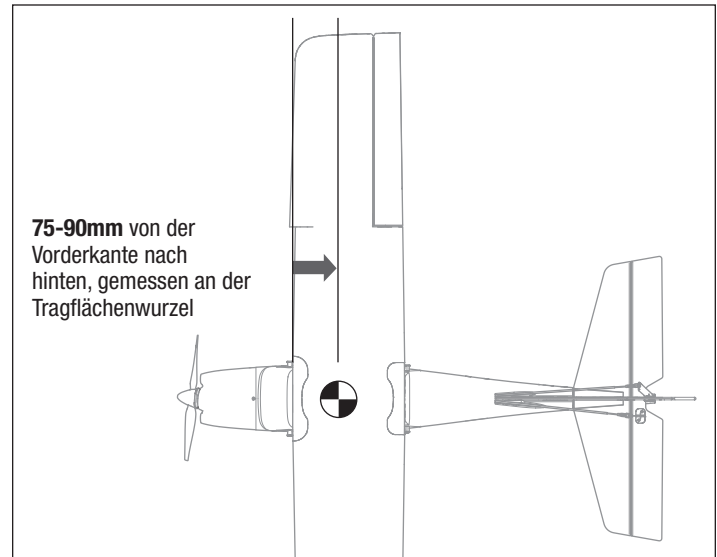
Nach dem Einsetzen der Akkus (in der empfohlenen Position) und vor dem Einschalten des Geschwindigkeitsreglers, den Schwerpunkt durch Halten des Fluggeräts auf Ihren Fingerspitzen 75- 90mm von der Vorderkante des Flügels nach hinten an der Tragflächenwurzel überprüfen.

- Sinkt die Spitze nach unten, verschieben Sie den Flug-Akku nach hinten, bis ein Gleichgewicht erreicht ist.
- Steigt die Spitze nach oben, verschieben Sie den Flug-Akku nach vorn, bis ein Gleichgewicht erreicht ist.

Scannen Sie den QR-Code, um das Montagevideo und die richtigen Methode zum Ausbalancieren des Fluggeräts zu sehen.



Montagevideo



## Steuerrichtungstest

**⚠️ WARNUNG:** Führen Sie diesen und andere Ausrüstungstests nicht ohne Einschalten der Gasabschaltung durch. Ein unbeabsichtigtes Starten des Motors könnte andernfalls schwere Personen- oder Sachschäden verursachen.

Reagieren die Steuerflächen nicht wie abgebildet, **DAS FLUGZEUG NICHT FLIEGEN.** Weitere Informationen erhalten Sie im *Leitfaden zur Fehlerbehebung*. Wenn Sie weitere Hilfe benötigen, kontaktieren Sie bitte die betreffende Abteilung bei Horizon Hobbyprodukt-Support.

1. Den Sender einschalten.
2. Gasabschaltung einschalten (Schalter H, Position 1).
3. Stellen Sie den Schalter des Flugmodus auf „Experte“ (Schalter B, Position 2).

**WICHTIG:** Prüfen Sie die Steuerungen NICHT im Modus „Anfänger“ oder „Fortgeschrittener“ (Schalter B, Position 0 oder 1).

4. Das Modell auf einer ebenen Fläche, in hindernisfreier Umgebung aufstellen.
5. Das Flugzeug einschalten und vollständige Initialisierung abwarten.
6. Bewegen Sie die Hebel auf dem Sender wie in der Tabelle gezeigt, und beobachten Sie die Steuerflächen des Fluggeräts. Stellen Sie sicher, dass die Steuerflächen des Fluggeräts wie angezeigt reagieren und in neutrale Stellung zurückkehren, sobald die Steuerungseingabe freigegeben wird.
7. Die Steuerflächen auf jegliche mögliche Bindung überprüfen.
8. Rollen Sie das auf einer glatten Oberfläche befindliche Fluggerät per Hand vorwärts. Drücken Sie die Trimm Taste am Sender nach links oder rechts, bis das Fluggerät gerade in der Spur läuft.

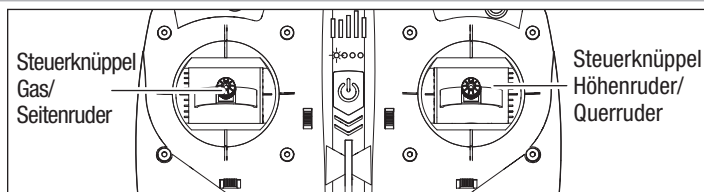
**TIPP:** Bei jedem Klick der Trimmungstasten in eine der Richtungen ist ein leiser Piepton zu hören. Wird die Taste für eine Richtung gehalten, laufen mehrere Trimmungsstufen durch, bis die Taste entweder losgelassen wird oder die Trimmung ihre Endlage erreicht. Wenn die Trimmungstaste beim Anklicken nicht piept, ist die Endlage erreicht. Die mittige Trimmung wird durch einen etwas lautereren Piepton angezeigt.

### Zentrieren der Steuerflächen

Nach der Überprüfung auf korrekte Bewegung der Steuerflächen lassen Sie die Senderhebel los. Jede der Steuerflächen prüfen, um sicherzustellen, dass sie zentriert sind.

Für alle nicht zentrierten Oberflächen:

1. Schieben Sie die Halterungsmanschette vom Gabelkopf.
2. Den Gabelkopf vorsichtig aufhebeln.
3. Den Gabelkopfbolzen aus dem Steuerhorn schieben.
4. Den Gabelkopf auf das Gestänge schrauben, um dieses zu verlängern oder zu verkürzen und somit die mittlere Position auf der Oberfläche anzupassen.
5. Wenn die korrekte Position erreicht wurde, schieben Sie den Gabelkopfbolzen wieder in das richtige Loch des Steuerhorns.
6. Schließen Sie den Gabelkopf und fangen so das Steuerhorn zwischen den Seiten ein.
7. Schieben Sie die Halterungsmanschette über den Gabelkopf, um ein Öffnen des Gabelkopfs zu vermeiden.



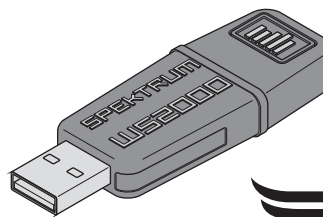
	Sendersteuerung	Reaktion der Steuerflächen (Ansicht von der Rückseite)
Höhenruder		
Querruder		
Seitenruder		

## Vor Ihrem ersten Flug

Bevor Sie dieses Fluggerät zum ersten Mal fliegen, empfehlen wir Ihnen dringend, mit dem RealFlight Trainer Edition RC-Flugsimulator (RFL1205, separat erhältlich) und einem Spektrum WS2000 Wireless Simulator Dongle (SPMWS2000, separat erhältlich) zusammen mit dem DXS-Sender, der in der RTF Basic-Version enthalten ist, die Grundlagen des Fliegens zu erlernen und zu üben. Mit sechs beliebigen Trainerflugzeugen von Horizon Hobby und den integrierten Virtual Flight Instructor-Schulungen können neue Piloten das Fliegen erfolgreich lernen, indem sie zu Hause am PC oder an einem Laptop üben!

Wir ermutigen Sie auch dazu, über Hobby-Shops oder auf ausgewiesenen Flugfeldern mit erfahrenen RC-Piloten in Ihrer Gegend Kontakt aufzunehmen. Personen in den Vereinigten Staaten empfehlen wir, Mitglied in einem nationalen Verband wie der Academy of Model Aeronautics (AMA) zu werden. Die AMA kann Informationen zu lokalen Clubs, Ausbildern und etablierten Flugstandorten in Ihrer Gegend liefern sowie Informationen zu Versicherungen. Weitere Informationen erhalten Sie unter [www.modelaircraft.org](http://www.modelaircraft.org)

**RF TRAINER EDITION**  
REALFLIGHT™



RealFlight  
Trainer Edition



## Wählen Sie ein Flugfeld

**Vor der Wahl des Standorts für das Fliegen des Fluggeräts die örtlichen Gesetze und Verordnungen konsultieren.**

Um erfolgreich zu fliegen und Ihr Eigentum und Flugzeug zu schützen, ist es von großer Wichtigkeit, dass Sie zum Fliegen ein sehr offenes Gelände suchen. Wir empfehlen Ihnen Kontakt mit Ihrem lokalen Hobby-Shop aufzunehmen, um Informationen über Flugfelder und Clubs in Ihrer Nähe zu bekommen. Kunden in den Vereinigten Staaten sollten die Academy of Model Aeronautics unter [www.modelaircraft.org](http://www.modelaircraft.org) besuchen, um mehr Informationen zu Flugclubs zu bekommen.

Bedenken Sie, dass dieses Flugzeug beim Fliegen erhebliche Geschwindigkeiten erreichen kann und große Strecken zurücklegt. Planen Sie Flüge in Gegenden, in denen Sie mehr freien Platz verfügbar haben, als Sie für erforderlich halten, tun Sie das vor allem während der ersten Flüge.

**Der gewählte Flugstandort sollte:**

- Mindesten 400 m (1300 ft.) an Freifläche in alle Richtungen aufweisen.
- Frei von Bäumen, Gebäuden, Fahrzeugen, Stromleitungen oder anderen Hindernissen sein, in denen Ihr Flugzeug sich verfangen könnte oder die Ihnen den Blick versperren könnten.
- Frei von Menschen und Tieren sein.

## Reichweitentest

**⚠️ WARNUNG:** Während Sie das Fluggerät während des Reichweitentests halten, müssen alle Körperteile und losen Elemente in sicherer Entfernung zum Motor gehalten werden. Andernfalls kann es zu Verletzungen kommen.

Sie sollten vor jedem Flug und insbesondere mit einem neuen Modell ein Reichweitentest durchführen.

Der enthaltene Spektrum DXS Sender beinhaltet einen Modus „Reichweitentest“ zur Reduzierung der Ausgangsleistung des Senders, weshalb Sie nicht so weit vom Sender entfernt sein dürfen, um den Bereich zu prüfen. Befolgen Sie zur Aktivierung des Modus „Reichweitentest“ am DXS-Sender die nachfolgenden Schritte:

1. Wenn der Gashebel sich auf der niedrigsten Einstellung befindet, schalten Sie den Sender für mindestens 5 Sekunden ein.
2. Mit Hilfe eines Assistenten zum Halten des Fluggeräts schließen Sie den Flug-Akku an den Anschluss des Geschwindigkeitsreglers an. Das Flugzeug 5 Sekunden still halten.
3. Stellen Sie sich mit dem Sender in normaler Flugposition vor das Modell.
4. Drücken und halten Sie den Bindungsschalter (Schalter A) und schalten Sie den Hoch-/Niedrig-Geschwindigkeitsschalter (Schalter F) zweimal hin und her. Der Sender RGB LED blinkt auf, der Alarm ertönt und gibt an, dass das System sich im Modus „Reichweitentest“ befindet. Lassen Sie den Bindungsschalter nicht los, bis der Reichweitentest beendet ist.

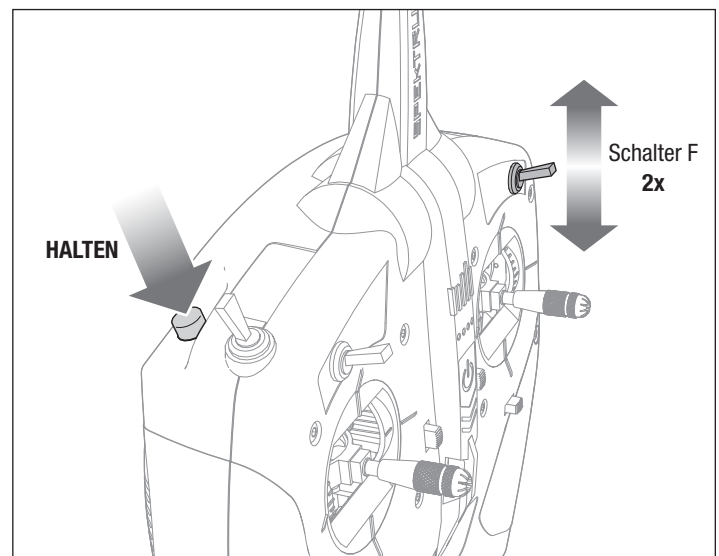
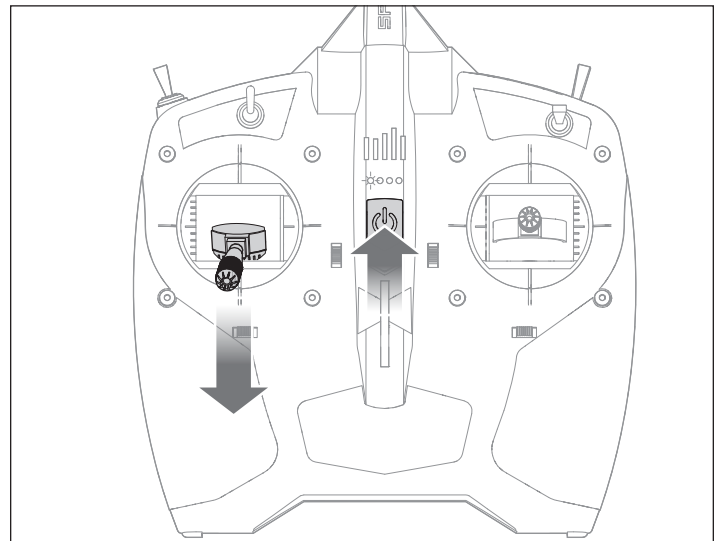
**WICHTIG:** Sie müssen den Bindungsschalter während des gesamten Reichweitentests halten. Beim Lösen der Taste wird der Modus „Reichweitentest“ verlassen.

5. Während das Modell fest am Boden verankert ist, stellen Sie sich ca. 30 Meter (100 Fuß) entfernt davon auf.

**TIPP:** Bei einigen Modellen kann/können sich die Antenne(n) nur wenige Zentimeter über dem Boden befinden, wenn das Fluggerät auf dem Boden steht. Eine große Bodennähe der Antenne(n) kann die Effizienz des Reichweitentests beeinträchtigen. Sollten beim Reichweitentest Probleme auftreten, befestigen Sie das Modell auf einem nichtleitenden Stand oder einem Tisch in bis zu 60 cm (2 ft) Höhe über dem Boden und führen den Reichweitentest erneut durch.

6. Bewegen Sie die Steuerungen für Seitenruder, Höhenruder, Querruder und Gas um sicherzustellen, dass sie in circa 30 Schritten Entfernung einwandfrei funktionieren. Lassen Sie das Fluggerät bei bestehenden Problemen mit der Steuerung nicht fliegen. Beziehen Sie sich auf die Tabelle Garantie und Kundendienstinformation am Ende dieses Handbuchs und wenden Sie sich an den Horizon Hobby Produktsupport.
7. Lassen Sie nach dem erfolgreichen Abschluss des Reichweitentests den Bindungsschalter los, um den Modus „Reichweitentest“ zu verlassen.

**⚠️ ACHTUNG:** Versuchen Sie aufgrund der verringerten Ausgangsleistung des Senders NIE einen Flugversuch durchzuführen, wenn sich der Sender im Modus „Reichweitentest“ befindet. Sie würden die Kontrolle verlieren.



## Flugsteuerung

**WICHTIG:** Auch wenn die SAFE-Technologie ein sehr nützliches Werkzeug ist, muss das Flugzeug trotzdem manuell gesteuert werden. Wenn in niedriger Flughöhe oder bei geringer Geschwindigkeit an den Steuerhebeln die falschen Entscheidungen getroffen werden, kann das Flugzeug abstürzen. Befassen Sie sich ausgiebig mit den Steuerelementen und der jeweiligen Reaktion des Flugzeugs, bevor Sie einen ersten Flugversuch unternehmen. Stellen Sie bei Ihren ersten Flügen den Schalter des SAFE Flugmodus auf den Modus „Anfänger“ (Schalter B, Position 0). Nehmen Sie für ein geschmeidiges Flugverhalten Ihres Flugzeugs stets nur kleine Korrekturen vor. Alle Richtungen werden beschrieben, als säßen Sie im Flugzeug.

### Gas, schneller oder langsamer

- Den Gashebel nach vorne drücken: das Fluggerät fliegt schneller und steigt.
- Den Gashebel nach hinten ziehen, damit es langsamer fliegt und sinkt.

### Höhenruder nach oben und nach unten

- Den Hebel des Höhenruders nach hinten ziehen: der Bug des Fluggeräts neigt sich nach oben.
- Den Hebel des Höhenruders nach vorne drücken: der Bug des Fluggeräts sinkt.

### Linkes und rechtes Querruder:

- Den Hebel des Querruders nach rechts bewegen, um das Flugzeug nach rechts zu neigen.
- Den Hebel des Querruders nach links bewegen, um das Flugzeug nach links zu neigen.

**TIPP:** Stellen Sie sich bei der Frage, in welche Richtung die Flügel des Flugzeugs geneigt werden sollen, immer vor, Sie säßen selbst im Flugzeug.

- Wenn sich das Flugzeug von Ihnen entfernt, erscheint die Rechts- oder Linksneigung natürlich.
- Wenn das Flugzeug auf Sie zukommt, werden Sie den Eindruck haben, das Flugzeug neigt sich in die entgegengesetzte Richtung der Steuerhebelbewegung. Mit der Zeit werden diese Steuerungshandgriffe instinktiver.









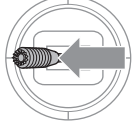

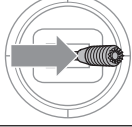
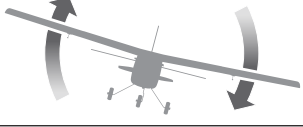
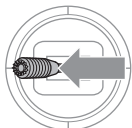

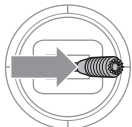

**TIPP:** Wenn einer der Flügel abfällt, wenn das Flugzeug auf Sie zukommt, bewegen Sie den Querruder-Hebel in Richtung des niedrigen Flügels, um das Fluggerät anzuheben.

### Linkes und rechtes Seitenruder

- Schieben Sie den Seitenruderhebel nach rechts, um die Nase des Flugzeugs nach rechts zeigen zu lassen.
- Schieben Sie den Seitenruderhebel nach links, um die Nase des Flugzeugs nach links zeigen zu lassen.

Der Hebel des Ruders wird auch dazu verwendet, das Flugzeug bei der Fahrt auf dem Boden zu steuern.

**TIPP:** Ähnlich wie bei der Steuerung des Querruders ist es auch bei der Wahl der Richtung der Nase hilfreich, wenn man sich vorstellt, selbst am Steuer des weg- oder heranfliegenden Flugzeugs zu sitzen.

	Sendersteuerung	Reaktion des Flugzeugs
Gas		
		
Höhenruder		
		
Querruder		
		
Seitenruder		
		



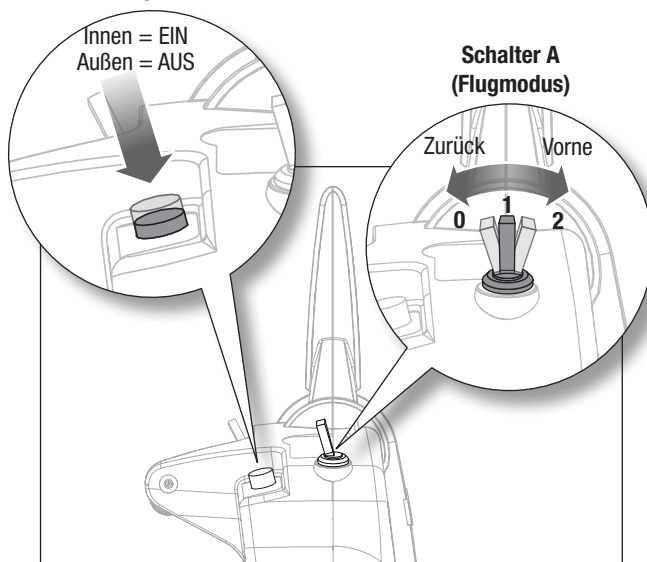
## Flugmodi der SAFE-(Sensor Assisted Flight Envelope-)Technologie

Sie steuern die Hilfe, die die SAFE Technologie Ihnen beim Fliegen lernen bietet. Mit Zunahme Ihrer Flugfertigkeiten, fahren Sie die Unterstützung durch die SAFE-Technologie zurück. Reaktion des Flugzeugs durch Bewegungen des Schalters Kanal 5 (SAFE-Flugmodus) an Ihrem Sender jederzeit ändern.

**WICHTIG:** Diese Anweisungen gelten für den enthaltenen DXS Sender (oder ähnliche Sender) mit einem 3-Positionen-Schalter für Kanal 5. Wenn Sie dieses Fluggerät mit einem anderen Spektrum-Sender als dem enthaltenen DXS fliegen, schauen Sie unter Optionale Konfiguration des Senders und Empfängers nach.

SAFE-Flugmodi	Position einschalten A (Flugmodus-Schalter)
Beginner (Anfängermodus)	Position 0
Intermediate (Fortgeschrittenenmodus)	Position 1
Experienced (Expertenmodus)	Position 2

### Taste I Trainer-/Bindungs-/Panikschalter



### Notrückholungsmodus

Bei einem Gefühl der Panik beim Fliegen, den Schalter Panik / Trainer drücken und halten und die Steuerknüppel in die neutrale Position bewegen. Die SAFE-Technologie bringt das Fluggerät zurück in eine stabile Lage, sofern es genügend Höhe hat und sich keine Hindernisse auf seinem Kurs befinden. Lassen Sie den Panik-Schalter los, um den Panik-Modus auszuschalten und kehren Sie zum aktuellen SAFE-Flugmodus zurück. Wenn Sie in Schwierigkeiten geraten und zum Anfänger-Modus zurückkehren müssen, um maximale Stabilität zu haben, denken Sie daran, den Schalter für Kanal 5 vollständig zurück zu bewegen.

### Aktivierung der SAFE-Technologie

Die SAFE-Technologie ist nicht aktiv, bevor Sie über 25 % Gas geben. Sobald die SAFE-Technologie aktiv ist, kann es sein, dass sich die Steuerflächen am Flugzeug bewegen. Das ist normal. Die SAFE-Technologie bleibt solange aktiv, bis der Geschwindigkeitsregler ausgeschaltet wird.

### Oszillation verstehen

Bei einigen Flugbedingungen kann eine Oszillation sichtbar sein. Tritt Oszillation auf, die Fluggeschwindigkeit verringern. Bleibt dann noch Oszillation bestehen, die Fehlerbehebung zu weiteren Informationen lesen.



**ACHTUNG:** Fliegen in horizontalem Vorwärtsflug unter ruhigen Windbedingungen bei Vollgas in jeglichem Modus oder lange Sturzflüge mit hoher Geschwindigkeit können zu starker Oszillation führen, durch die das Fluggerät beschädigt werden kann.

Falls es in irgendeinem Modus zu Oszillation kommt, sofort die Gaszufuhr drosseln. Bleibt Oszillation bestehen, die Fehlerbehebung lesen.



**ACHTUNG:** Die Modi Anfänger, Fortgeschrittener und Panik sind für Schulungszwecke gedacht. Das kontinuierliche Fliegen hochgradiger Flugmanöver (z.B. Schleifen) im Modus Experte während längerer Zeit kann zu einem inkonsistenten Flugbereich und Verhalten wie im Panik-Modus führen. Falls dies auftritt, landen Sie im Modus Experte und schalten Sie den Empfänger ein, bevor Sie erneut fliegen.

### Start- und Landehilfe

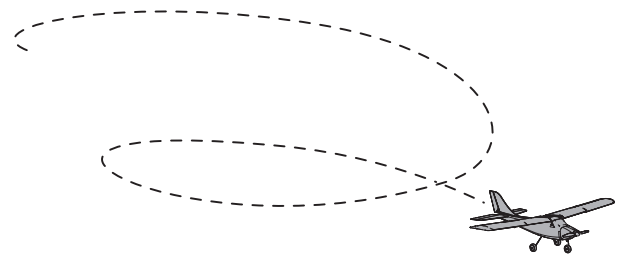
Abheben und Landen können durch Verwendung des Modus Anfänger besser gemanagt werden. Wird das Modell nicht korrekt gestartet oder landet es nicht in perfekter Haltung, betätigen Sie den Panik-Schalter und halten ihn gedrückt. Das Modell kann korrigieren und somit einem Absturz vorbeugen. Siehe die Abschnitte Starten und Landen in dieser Anleitung.

**WICHTIG:** Wegen der Gas-Steigeunterstützung ist im Modus Anfänger eine ebene Landebahn erforderlich.



### Failsafe

Für den unwahrscheinlichen Fall einer Verlustes der Funkverbindung wird das Flugzeug durch Failsafe so lange in langsames Kreisen und Absinken versetzt, bis die Funkverbindung wieder hergestellt ist.



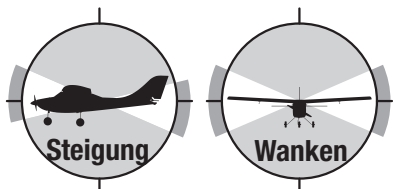
### Durch SAFE-Technologie wird dieses Fluggerät zu einem besseren Lernwerkzeug, aber Sie müssen selbst Ihre Einstellungen vornehmen, um erfolgreich zu fliegen:

- SAFE-Technologie ist als Flugunterstützung konzipiert, nicht als Autopilot. Der Pilot hat stets die Steuerung und muss das Fluggerät jederzeit fliegen
- Befolgen Sie die Anweisungen in dieser Anleitung, um optimale Flugbedingungen für Ihr Fluggerät zu bewahren.
- Suchen Sie qualifizierte Anweisungen zum Modellflug bei Ihren lokalen Modellflugclub. Ein qualifizierter Fluglehrer kann Ihre Entwicklung in diesem Hobby voranbringen
- Wind und Umgebung können die Flugleistung der SAFE-Technologie beeinflussen
- Stellen Sie sicher, dass Sie nicht abgelenkt sind, damit Sie jeden Moment der Flugzeit nutzen können.
- Sie müssen mit dem Fluggerät stets Hindernisse vermeiden und auf einer Höhe fliegen, die sichere Notrückholung ermöglicht.

Die SAFE-Technologie ist ein revolutionäres Flugtrainingsystem, das dazu bestimmt ist, Ihnen eine robuste Plattform zum sicheren Entwickeln Ihrer Flugfähigkeiten zu bieten. Es ist kein Autopilot oder selbstführender Roboter. Die Sensoren und Software in diesem System helfen Ihnen das Fluggerät dorthin zu fliegen, wo Sie möchten und gleichzeitig das Risiko eines unkontrollierten Absturzes zu verringern. Sie können sich über die Flugmodi Anfänger, Fortgeschrittener und Experte mit zunehmenden Fähigkeiten weiterentwickeln und dabei auf eine optionale Notrückholung bauen. Sie können jederzeit während eines Flugs zwischen den 3 Flugmodi wechseln oder die Notrückholung verwenden, um das Fluggerät auf eine sichere Flughöhe zu bringen.

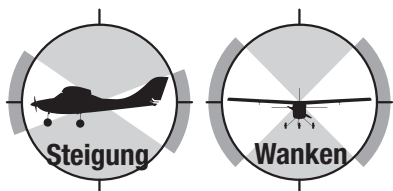
### SAFE-Flugmodi

#### Beginner (Anfängermodus)



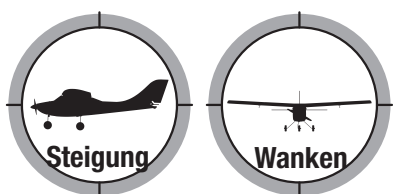
- Flugbereichsgrenze: Der Steigwinkel (Nase auf oder ab) und der Rollwinkel (Flügelspitzen auf oder ab) sind begrenzt, um die Luftstützung nicht zu gefährden
- Selbstausrichtung: Werden Steigungs- und Rollsteuerung auf Neutral gestellt, so kehrt das Fluggerät in den Horizontalflug zurück
- Stabilisierungsgestütztes Starten und Landen
- Steigen und Sinken auf Gasbasis

#### Intermediate (Fortgeschrittenenmodus)



- Natürliche Flugerfahrung: Steigungs- und Rollsteuerung werden vergrößert. Selbstausrichtung ist nicht aktiv.
- Großer Flugbereich: Der Pilot wird nur von extremen Fluglagen abgehalten.

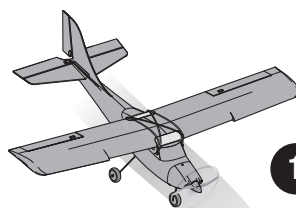
#### Experienced (Expertenmodus)



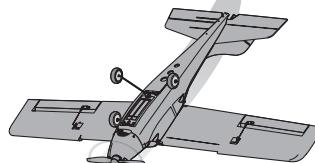
- Natürliche Flugerfahrung: Der Pilot erlebt die natürlichen AS3X-Flüge für eine reibungslose Handhabung und außergewöhnliche Genauigkeit
- Unbegrenzter Flugbereich: Keine Begrenzung bei den Steigungs- und Rollwinkeln (Flugrahmen begrenzt)

### Notrückholung

- Sofortige Rückholung auf eine sichere Fluglage
- Für eine möglichst schnelle Rückholung stellen Sie alle Sendersteuerungen wieder auf neutral
- Dieser Modus ist dafür gedacht, dem Piloten Vertrauen zu geben, seine Flugfähigkeiten weiter zu verbessern.



**1** Pilot verliert die Kontrolle über das Fluggerät in beliebigem Flugmodus.



**2** Pilot drückt den Notrückholungs-Schalter und bringt alle anderen Steuerungen auf ihre neutrale Position zurück. Das Fluggerät bringt die Tragflächen in gerade Ausrichtung und fängt den Flug ab...



**3** ...sobald das Fluggerät gerade und horizontal fliegt, lässt der Pilot den Notrückholungs-Schalter los und setzt einen sanften Steigflug auf eine sichere Höhe fort.

**WICHTIG:** Das Fluggerät wird eine sichere Fluglage wiederherstellen, selbst wenn die Hebel betätigt werden. Einige Steuereingaben werden bei aktiviertem Panik-Modus weiterhin benutzt.

### AS3X-Technologie

Horizon Hobby hat stets maßstabsgerechte, einzigartige, RC-Sport-Fluggerräte mit den Leistungen gefertigt, wie Experten es wünschen. Das exklusive System zur künstlichen Stabilisierung Artificial Stability 3 aXis (AS3X) ist für die Leistungserwartungen in Fluggeräten ein echter Quantensprung. Basierend auf der erfolgreichen Nutzung der MEMS-Sensortechnologie in dem für Blade® Ultra-Mikro-Hubschrauber ohne Paddelstange essentiellen AS3X Stabilisierungssystem, hilft das speziell eingestellte AS3X System für Flugzeuge auftretende Turbulenzen, Drehmomente und Strömungsabriss unsichtbar zu korrigieren. Außerdem bietet die hervorragende agile Steuerung ein besonders sanftes, sicheres Gefühl, dass alle Befehle problemlos mit der gewünschten Leistung ganz natürlich ausgeführt werden. Es ist so ansprechend, als ob man tatsächlich der RC-Pilot eines fachmännisch eingestellten Fluggeräts in gigantischem Maßstab wäre. AS3X wird die Art und Weise ändern, wie Sie jetzt und in Zukunft fliegen möchten.

## Checkliste vor dem Flug

Einen sicheren und offenen Bereich suchen.
Laden Sie den Flug-Akku.
Einen vollständig geladenen Flug-Akku im Fluggerät einsetzen.
Überprüfen, ob sich alle Gestänge unbehindert bewegen lassen.
Schwerpunkt (CG) prüfen.

Lenktest durchführen.
Reichweitentest mit dem Funksystem durchführen.
Flug gemäß den Bedingungen des Flugfeldes planen.
Flugtimer einstellen auf 6–8 Minuten
Viel Spaß!

## Fliegen

Dieses Fluggerät lässt sich relativ problemlos fliegen und unterstützt Sie dabei, Ihre Fähigkeiten als Anfänger anzuwenden. Wir empfehlen Ihnen jedoch, sich für Ihren ersten funkgesteuerten Flug Hilfe von einem qualifizierten Fluglehrer einzuholen. Einige Modellflugzeugclubs bieten an ihren Flugfeldern eine Flugausbildung an. Sie können den nächstgelegenen Club über Ihren Hobby-Shop vor Ort erfahren. In den USA können Sie die Academy of Model Aeronautics unter [www.modelaircraft.org](http://www.modelaircraft.org) zu weiteren Informationen zu Clubs und Flugausbildung aufrufen.

### Tipps für Erfolg

- Starten im Anfängermodus. Wenn Sie als Pilot dazulernen und an Selbstvertrauen gewinnen, können Sie die Modi ändern, um dazu zu lernen.
- Widerstehen Sie der Versuchung mit Vollgas zu fliegen. Langsam zu fliegen ermöglicht vor allem längere Reaktionszeiten, falls etwas schief geht.
- Behalten Sie Ihr Fluggerät stets in offener Sicht und gegen den Wind zu Ihnen.
- Sammeln Sie Erfahrung durch das Fliegen in großen Runden über dem Boden. Wenn Sie sich sicher fühlen machen Sie dann schrittweise anspruchsvollere Manöver.

### Wetterbedingungen

Ein guter Tag zum Fliegen ist ruhig, mit Windgeschwindigkeiten unter 8–11 km/h. Fliegen bei höheren Windgeschwindigkeiten, kann das Fliegen erschweren und zu Abstürzen führen.

Der Wind in Bodennähe kann geringer sein als der beim Steigflug ihres Flugzeugs.

### Start

#### Start vom Boden

Das Starten vom Boden im Modus Anfänger wird für die ersten Flüge empfohlen. Sollte der Boden aber nicht hart und eben sein, helfen Sie sich mit einem Handstart des Flugzeugs.

1. Stellen Sie das Fluggerät auf sein Fahrwerk in einem weiten, offenen Bereich mit weichem Asphalt und Beton. Die Spitze des Fluggeräts muss gegen den Wind zeigen (bei Windgeschwindigkeiten unter 8–11 km/h).
2. Stehen Sie hinter Ihrem Fluggerät, um Seitenruder, Querruder und Höhenruder zu sehen.
3. Schieben Sie den Gashebel langsam auf VOLLGAS (100%) und ziehen Sie gleichzeitig den Höhenruder-Hebel zurück. Mit dem Seiteruder halten Sie die Spitze des Fluggeräts gegen den Wind während es abhebt.

**TIPP:** Abheben vom Boden im Modus Anfänger. Geben Sie mehr Gas und halten das Fluggerät mit der Seitenruder-Steuerung gerade. Das Fluggerät hebt von einem ebenen Landebahn innerhalb einer kurzen Distanz ab. Erreichen Sie einen stetigen Steigflug bis in eine sichere Höhe. Benutzen Sie nötigenfalls den Panik-Schalter.

#### Handstart

Lassen Sie sich beim Fliegen lernen vom Handstart Ihres Flugzeugs helfen, damit Sie sich aufs Fliegen konzentrieren können. Wenn Sie selbst einen Handstart des Flugzeugs durchführen müssen, halten Sie das Modell in Ihrer dominanten Hand und den Sender in der anderen Hand. Mit einem Gurt (SPMP610, separat erhältlich) können Sie den Sender leichter halten.

1. Das Fluggerät unter dem Rumpf hinter dem hinteren Fahrwerk greifen.
2. Bringen Sie die Gassteuerung des Senders vorsichtig auf VOLLGAS (100%).
3. Werfen Sie das Flugzeug mit der leicht nach oben gerichteten Nase und parallel zum Boden ausgerichteten Tragflächen den Wind.

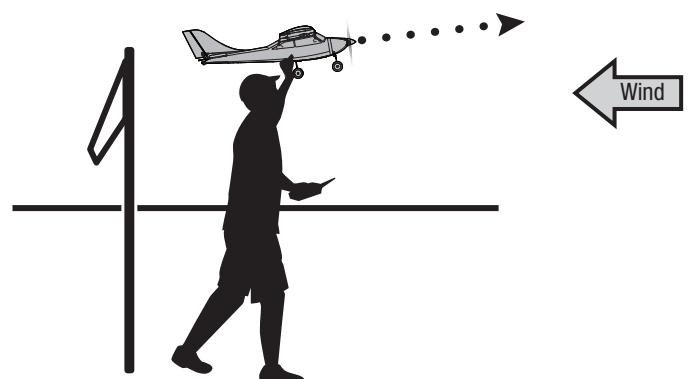
**TIPP:** Handstart im Modus Anfänger. Die Technologie hält das Fluggerät gerade und im Steigflug. Erreichen Sie einen sicheren und stetigen Steigflug bis in eine sichere Höhe. Benutzen Sie nötigenfalls den Panik-Schalter.

Scannen Sie den QR-Code für einen Link zu einem Video mit Tipps, um Ihnen beim erfolgreichen Fliegen des Fluggeräts zu helfen.



Flugvideo

- Nehmen Sie die erste Drehung nicht bei zu geringer Höhe vor. Größere Höhen bieten mehr Möglichkeiten zur Korrektur.
- Die Steuerknüppel sind sehr bewegungsempfindlich. Vermeiden Sie es Steuerknüppel bis zu ihren Anschlagen zu bewegen, bis Sie im Umgang mit Ihrem Fluggerät etwas erfahrener geworden sind.
- Um einen Sturzflug abzufangen, drosseln Sie das Gas und lassen Sie den Querruder-Hebel los. Ziehen Sie den Höhenruder-Hebel ein wenig zurück, um die Spitze des Fluggeräts nach oben zu richten.
- Wenn Sie merken, dass Sie die Kontrolle verloren haben, betätigen Sie den Panikschalter und halten ihn gedrückt.



## Beim Flug

Setzen Sie den Steigflug gegen den Wind bei Vollgas fort, bis das Fluggerät eine Höhe von circa 15 Metern (50 Fuß) erreicht. Das Fluggerät allmählich von sich weg weisend drehen, während die Flughöhe beibehalten wird. Beginnen Sie eine Drehung, indem Sie eine Neigung des Flugzeugs mit dem Querruder-Hebel vornehmen. Ziehen Sie den Höhenruder-Hebel vorsichtig zurück, um mit dem Fluggerät die Drehung zu vollenden und die Höhe beizubehalten. Wenn das Fluggerät die gewünschte Zielrichtung erreicht, aktivieren Sie einfach das gegenüberliegende Querruder, um die Tragflächen auszugleichen und das Höhenruder einfach zu bedienen.

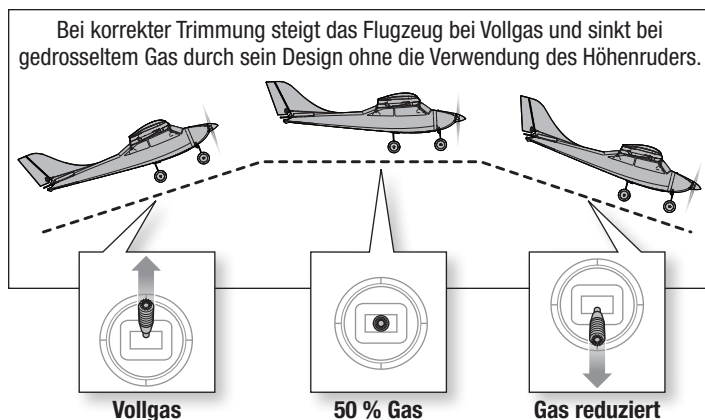
Steigen Sie auf circa 60 Meter (200 Fuß) und verringern das Gas um circa 50%. Passen Sie das Gas nach oben oder unten an, um die Höhe beizubehalten. Das Fluggerät nicht zu hoch und nicht zu weit weg fliegen, da es dann nur schwer zu sehen ist.

Während Sie fliegen:

- Fliegen Sie hoch genug, um Zeit zu haben auf das zu reagieren, was das Fluggerät macht.
- Betätigen Sie die Hebel vorsichtig und nur leicht, um ein Gefühl dafür zu bekommen, wie das Flugzeug anspricht.
- Üben Sie das Fliegen in großen Runden über dem Boden. Für Anfänger ist das Fliegen in Ihre Richtung eine der schwierigsten Übungen. Fliegen in Runden verleiht Ihnen Erfahrung indem Sie das Fluggerät von allen Seiten sehen.
- Wenn Sie die Kontrolle über das Flugzeug verlieren, drücken Sie den Notrückholungs-Schalter, halten ihn gedrückt und lassen die Hebel los. Das Fluggerät sollte in konsistenter Weise in den Höhenflug zurückkehren. Lassen Sie die Taste los, um den Flug fortzusetzen.

**HINWEIS:** Droht ein Absturz, aktivieren Sie die Gasabschaltung oder reduzieren Sie rasch das Gas und die Gastrimmung. Wird dies unterlassen, können größere Schäden am Flugwerk sowie Schäden am Geschwindigkeitsregler und Motor auftreten.

**HINWEIS:** Schäden durch Abstürze werden durch die Garantie nicht gedeckt.



## Landen

1. Drosseln Sie das Gas um etwa 50 % der Luftgeschwindigkeit.
2. Fliegen Sie das Fluggerät windabwärts über das Ende der Landebahn hinaus.
3. Drehen Sie das Fluggerät gegen den Wind und richten Sie es auf die Mittellinie der Landebahn aus.
4. Drosseln Sie das Gas stufenweise weiter, um den Sinkflug zur Landebahn zu beginnen. Die Tragflächen müssen dabei waagrecht zur Landebahn gehalten werden. Versuchen Sie bei Überquerung der Pistenschwelle eine Flughöhe von etwa 3 Meter zu haben.
5. Nehmen Sie das Gas zurück, wenn das Fluggerät die Pistenschwelle überquert.
6. Ziehen Sie unmittelbar vor dem Aufsetzen das Höhenruder vorsichtig zurück, um die Nase anzuheben und abzufangen, um sanft auf dem Hauptfahrwerk zu landen. Ziel ist es die Geschwindigkeit gering genug zu haben, damit das Flugzeug nicht steigt, wenn der Endanflug gestartet wurde.

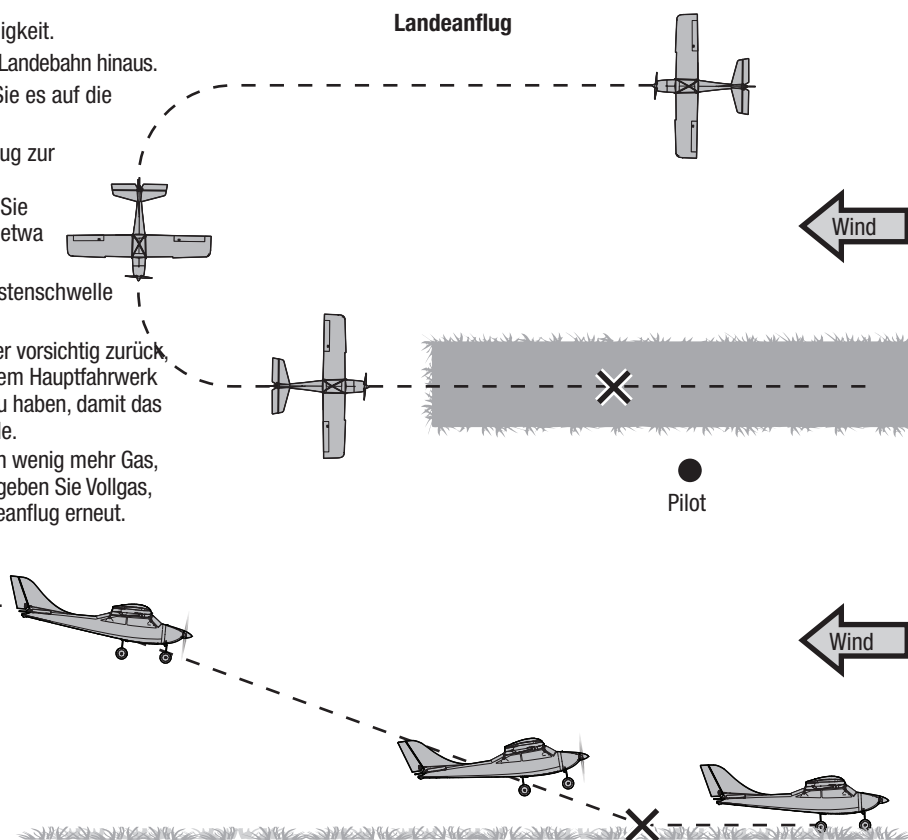
**TIPP:** Springt das Fluggerät zurück in die Luft, geben Sie ein wenig mehr Gas, um es sanft wieder zurück zur Landebahn zu bringen oder geben Sie Vollgas, starten den Steigflug und beginnen anschließend den Landeanflug erneut.

7. Verwenden Sie weiterhin den Seitenruder-Hebel, um das Fluggerät gerade abwärts auf die Landebahn auszurichten, damit es bis zum Stoppen ausrollen kann.

**HINWEIS:** Droht ein Absturz, aktivieren Sie die Gasabschaltung oder reduzieren Sie rasch das Gas und die Gastrimmung. Wird dies unterlassen, können größere Schäden am Flugwerk sowie Schäden am Geschwindigkeitsregler und Motor auftreten.

**HINWEIS:** Schäden durch Abstürze werden durch die Garantie nicht gedeckt.

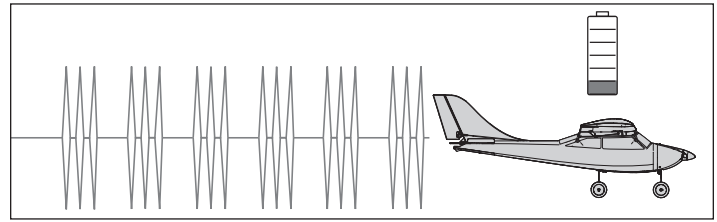
**WICHTIG:** Lassen Sie das Fluggerät nach Ende des Flugs nie in der Sonne stehen. Bewahren Sie das Fluggerät niemals an einem warmen, geschlossenen Ort (z. B. in einem Auto) auf. Dadurch kann der Schaumstoff beschädigt werden.



## Niedrigtrennsprung (LVC)

Die Niedrigtrennsprung ist eine in den Geschwindigkeitsregler integrierte Funktion, mit der der Akku vor einer übermäßigen Entladung geschützt wird. Wenn der Ladezustand des Flug-Akkus niedrig ist, begrenzt die Niedrigtrennsprung den dem Motor zugeführten Strom, damit die Flugsteuerungen genügend Energie erhalten, um das Fluggerät sicher zu landen. Bei Eingreifen der Niedrigtrennsprung verlangsamt sich das Fluggerät und der Motor beginnt zu pulsieren. Nimmt die Motorleistung ab, landen Sie das Flugzeug unverzüglich und laden Sie den Akku des Flugzeugs auf.

**HINWEIS:** Das wiederholte Fliegen bis zur Niedrigtrennsprung kann zu Schäden am Akku führen.



## Trimmung des Flugzeugs

### Anpassen der Trimmung während des Flugs

Wenn Ihr Fluggerät bei halbem Gas und den Hebeln in Neutralstellung nicht geradeaus und horizontal fliegt, fliegen Sie in den Wind und passen die Trimmungsschieber wie in der Tabelle angegeben an, bis das Fluggerät möglichst geradeaus und horizontal fliegt.

- Die Trimmung wird idealerweise bei ruhigen Windverhältnissen durchgeführt.
- Stellen Sie den SAFE-Flugmodus vor dem Anpassen der Trimmungen auf den Modus „Experte“ (Schalter B, Position 2).

Landen Sie das Fluggerät nach der Anpassung der Trimmung im Flug und gehen Sie weiter zum Abschnitt Manuelle Anpassung der Trimmung, zum erneuten Zentrieren der Servos und um die Trimmungen mechanisch einzustellen.

Der mitgelieferte DXS Sender umfasst elektronische Trimmungstasten. Bei jedem Klick der Trimmungstasten in eine der Richtungen ist ein leiser Piepton zu hören. Wird die Taste für eine Richtung gehalten, laufen mehrere Trimmungsstufen durch, bis die Taste entweder losgelassen wird oder die Trimmung ihre Endlage erreicht. Wenn die Trimmungstaste beim Anklicken nicht piept, ist die Endlage erreicht. Die mittige Trimmung wird durch einen etwas lautereren Piepton angezeigt.

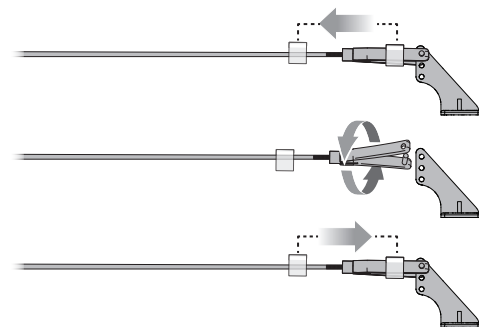
**TIPP:** Führen Sie die Trimmung des Fluggeräts auf einer ausreichenden Höhe von 30 Metern (etwa 100 Fuß) durch. Es wird empfohlen, die Trimmung Ihres Fluggeräts während des ersten Flugs von einem erfahrenen Fluglehrer durchführen zu lassen.

### Manuelle Anpassung der Trimmung

Nach dem Anpassen der Trimmung des Fluggeräts in der Luft sollten die Servos erneut zentriert und das Gestänge angepasst werden, um den in der Luft vorgenommenen Änderungen der Trimmung zu entsprechen. Dadurch wird sichergestellt, dass die Servos vollen Ausschlag beibehalten und in keine Richtung übersteuern.

1. Nach dem Landen nach dem Trimmungsflug stellen Sie die Gasabschaltung auf EIN (Schalter H, Position 1).
2. Stellen Sie den Schalter des Flugmodus auf „Experte“ (Schalter B, Position 2). Stellen Sie sicher, dass das Fluggerät still gehalten wird.
3. Beachten Sie nacheinander alle Positionsverschiebungen jeder Steuerungsfläche.
4. Den Gabelkopf vom Steuerhorn der Steuerungsfläche entfernen, indem Sie das weiche Gummrohr entlang dem Gestänge zurück schieben. Den Gabelkopf vorsichtig aufhebeln und den Bolzen aus dem Steuerhorn schieben.
5. Die Sendertrimmung für diese Steuerungsfläche zentrieren.
6. Den Gabelkopf innen oder außen durch Drehen des Gabelkopfs am Gestänge anpassen, bis die Position der Steuerungsfläche der korrigierten Verschiebung entspricht, wenn der Bolzen des Gabelkopfs in das Steuerhorn eingesetzt wird.
7. Den Gabelkopfbolzen wieder in das richtige Loch im Steuerhorn einführen.
8. Lassen Sie den geschlossenen Gabelkopf einrasten und fangen so das Steuerhorn zwischen den Seiten des Gabelkopfs ein.
9. Schieben Sie das weiche Gummrohr über den Gabelkopf, um dessen Öffnen zu vermeiden.
10. Gehen Sie zur nächsten Steuerfläche über und wiederholen Sie Schritt 3 bis 9 bis alle Trimmungen der Steuerflächen des Senders zentriert sind.

	Abdrift des Fluggeräts	Benötigte Trimmung
Höhenruder		
Querruder		
Seitenruder		



## Nach dem Flug

Den Flug-Akku vom Geschwindigkeitsregler trennen.
Sender ausschalten.
Den Flug-Akku vom Flugzeug entfernen.
Den Flug-Akku aufladen.
Alle beschädigten Teile reparieren oder ersetzen.
Den Flug-Akku getrennt vom Flugzeug lagern und den Akku-Ladezustand überwachen.
Mit Blick auf die Planung zukünftiger Flüge, die Flugbedingungen und Ergebnisse des Flugplans notieren.

**WICHTIG:** Lassen Sie das Fluggerät nach Ende des Flugs nie in der Sonne stehen. Bewahren Sie das Fluggerät niemals an einem warmen, geschlossenen Ort (z. B. in einem Auto) auf. Dadurch kann der Schaumstoff beschädigt werden.

### Tipps für LiPo-Akku:

- Den Li-Po-Akku nach dem Gebrauch vom Fluggerät trennen und herausnehmen, um eine Teilentladung zu vermeiden.
- Den Li-Po-Akku zu langem Lagern etwa bis zur Hälfte aufladen.
- Beim Lagern darauf achten, dass die Akkuladung nicht unter 3 V pro Zelle fällt.
- Lesen und befolgen Sie stets alle Sicherheitswarnungen und Richtlinien die Ihren LiPo-Akkus beiliegen.

## Binden von Sender und Empfänger

Das Binden ist der Vorgang, bei dem im Empfänger des Fluggeräts der spezielle Code des Senders programmiert wird, sodass der Empfänger sich nur mit diesem speziellen Sender verbindet.

Der mitgelieferte Sender wurde werkseitig an das Fluggerät gebunden. Sollte das Fluggerät nicht auf Steuereingaben des Senders reagieren, wenn die Akkus im Fluggerät und im Sender vollständig geladen sind, so müssen der Empfänger und der Sender des Fluggeräts erneut gebunden werden.

Zum erneuten Binden von Sender und Empfänger:

1. Sender ausschalten.
2. Gashebel auf die niedrige Position stellen und alle anderen Steuerungen auf neutral.\* Stellen Sie sicher, dass das Fluggerät still steht.

**WICHTIG:** Das Gas wird nicht aktiviert, wenn sich der Gashebel des Senders nicht in der niedrigsten Stellung befindet.

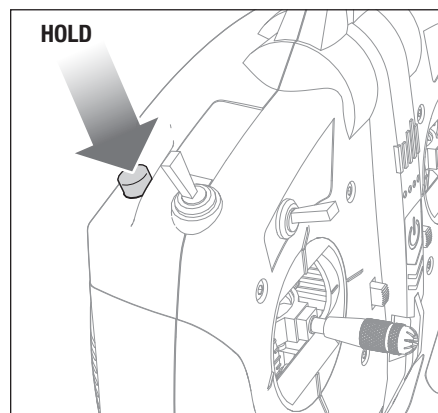
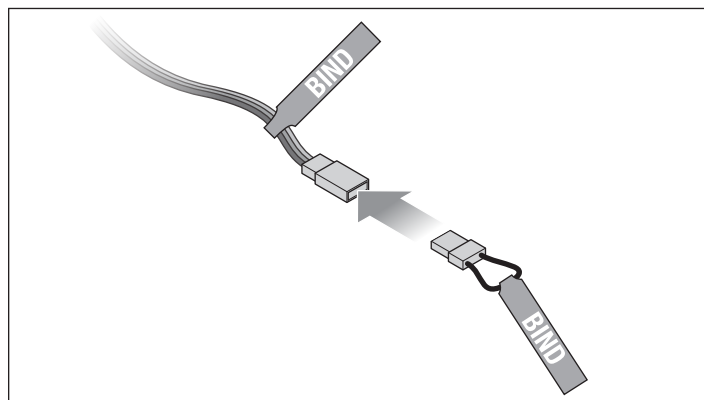
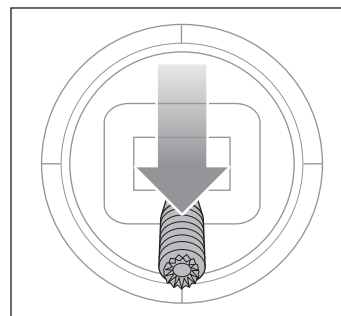
3. Installieren Sie einen Bindungsstecker an der im Akkufach befindlichen Bindungs-Verlängerungsleitung
4. Den Flug-Akku am Geschwindigkeitsregler anschließen. Die LED des Empfängers blinkt schnell (sichtbar bei abmontierter Tragfläche)
5. Den Bindungsschalter (Schalter A) auf dem Sender drücken und gedrückt halten, während der Sender einschaltet wird. Wenn Sender und Empfänger gebunden sind, leuchtet die LED des Empfängers durchgängig. Das Fluggerät wird initialisiert und die Steuerungen funktionieren normal.
6. Den Bindungsstecker von der Bindungs-Verlängerung entfernen.

Nach dem korrekten Binden werden Empfänger und Sender ihre Bindung für zukünftige Flüge beibehalten.

Bei Problemen schauen Sie in der Anleitung zur Fehlerbehebung nach. Gegebenenfalls an die Produktsupport-Abteilung von Horizon Hobby wenden.

### \* Failsafe

Der Empfänger speichert die Position des Gashebels des Senders zum Zeitpunkt der Bindung als Failsafe-Position. Sollte der Empfänger die Kommunikation mit dem Sender verlieren, wird die Failsafe-Funktion aktiviert. Failsafe bringt den Gaskanal auf seine voreingestellte Failsafe Position (wenig Gas), die bei der Bindung gespeichert wurde. Alle anderen Steuerungskanäle bewegen sich, damit das Fluggerät langsam kreist und sinkt, bis die Funkverbindung wiederhergestellt ist.



## Flugausbildung

### Für den Anfänger-Piloten:

Dieses Fluggerät lässt sich problemlos fliegen und unterstützt Sie dabei, Ihre Fähigkeiten als Anfänger anzuwenden. Wir empfehlen Ihnen jedoch, sich für Ihren ersten funkgesteuerten Flug Hilfe von einem qualifizierten Fluglehrer einzuholen. Einige Modellflugzeugclubs bieten an ihren Flugfeldern eine Flugausbildung an. Sie können den nächstgelegenen Club über Ihren Hobby-Shop vor Ort erfahren. In den USA können Sie die Academy of Model Aeronautics unter [www.modelaircraft.org](http://www.modelaircraft.org) zu weiteren Informationen zu Clubs und Flugausbildung aufrufen.

### Für den Fluglehrer:

Sie können ganz nach Belieben mit der SAFE Technology experimentieren, ehe Sie Ihren Flugschüler in der Handhabung dieses Fluggeräts unterweisen. Die fortlaufenden Schaltpositionen der SAFE Technology sind dafür gedacht, dass ein Anfängerpilot mit minimaler Unterstützung durch einen Fluglehrer lernt. Wir empfehlen die Verwendung des Flugmodus der Schalterposition 1 für die Unterweisung eines Anfängerpiloten. Die Schalterpositionen 0 und 2 können das Fluggerät mehr oder weniger als für die Ausbildungszwecke gewünscht stabilisieren.

### DXS Wireless-Funktion Trainer-Betrieb

Der DXS-Sender kann drahtlos über den SRXL2 DSMX-Funkempfänger (SPM9747, separat erhältlich) an einen anderen Sender angeschlossen werden. Der DXS-Sender ist ideal als Ausbildersender, da er mit allen Spektrum-Sendern bei Verwendung dieser Funktion kompatibel ist. Umkehren der Servolaufrichtung und Trimmungen müssen auf beiden Sendern übereinstimmen.

Dieser „Sozius“-Ansatz hat schon vielen Anfängerpiloten dabei geholfen, ein Gefühl für die Fluggerätesteuerung dank einer engen Unterstützung eines Fluglehrers zu erlangen. Ihr Fluglehrer kann durch das Verbinden zweier Sender den Master-Sender halten, während Sie den Slave-Sender haben. Während Sie das Fliegen lernen, hält der Fluglehrer den Fluglehrer-Schalter, um Ihnen die Steuerung über das Fluggerät zu geben. Wenn Sie Hilfe benötigen, kann der Fluglehrer den Schalter loslassen, um die Steuerung zu übernehmen.

**WICHTIG:** Wird ein anderer Sender als der mitgelieferte DXS als Ausbilder- oder Schülersender verwendet, bitte den nachstehenden Abschnitt „Sozius-Konfiguration“ lesen.

### Montage des Funkempfängers

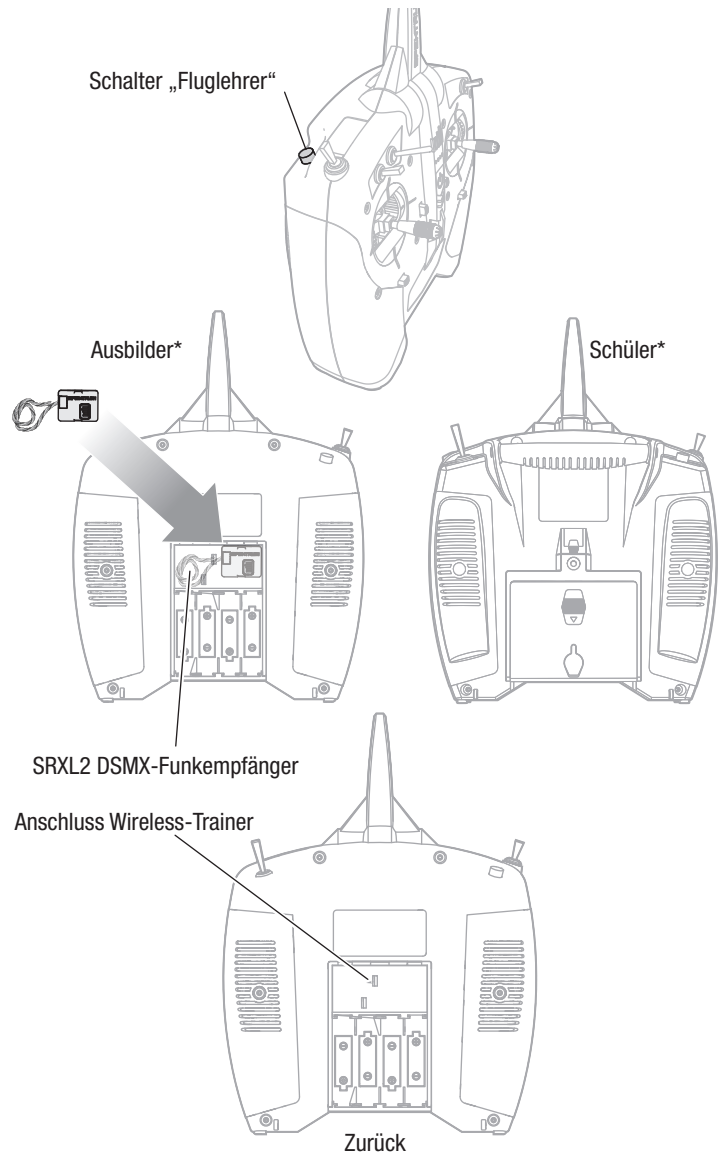
1. Die Akku-Abdeckung öffnen
2. Das Kabel des Funkempfängers am Anschluss des Wireless-Trainers anschließen.
3. Den Funkempfänger im Hohlraum hinter der Akku-Abdeckung mit doppelseitigem Klebeband montieren.

### Sozius-Konfiguration

**WICHTIG:** Verwenden Sie diese Einstellungen für einen Ausbilder- oder Schülersender, wenn Sie die Option Sozius zum Training an jeglichem anderen Sender als dem beinhalteten DXS verwenden. Bei Unterlassung werden die Flugmodi der SAFE Technology nicht korrekt funktionieren.

Der Sender muss entsprechend der Tabellen „Sender-Konfiguration“ und „Sozius-Konfiguration“ konfiguriert werden.

Konfiguration des Schülersenders*		Schülerkonfiguration
Schülersender		
DX4e, DX5e (2 Pos)		Werkseinstellungen für Fluglehrer
DX4e, DX5e (3 Pos)		Werkseinstellungen für Fluglehrer
DXe		Werkseinstellungen für Fluglehrer
DX6i		Werkseinstellungen für Fluglehrer
DX7		Werkseinstellungen für Fluglehrer
DX6 DX7s DX7(G2) DX8 DX8(G2)	DX9 DX10t DX18 DX20	Werkseinstellungen für Fluglehrer



Konfiguration des Ausbildersenders*		Konfiguration Ausbilder
Ausbildersender		
DX4e, DX5e (2 Pos)		Werkseinstellungen für Fluglehrer
DX4e, DX5e (3 Pos)		Werkseinstellungen für Fluglehrer
DXe		Werkseinstellungen für Fluglehrer
DX6i		Werkseinstellungen für Fluglehrer
DX7		Fluglehrer zu Normal
DX6 DX7s DX7(G2) DX8 DX8(G2)	DX9 DX10t DX18 DX20	Den programmierbaren Master aktivieren und sicherstellen, dass die Kanäle Thro-Aux 1 als Schüler eingerichtet sind.

\* Einige Sender mit älteren Versionen der Spektrum Airware Software verwenden eventuell andere Terminologie zur Beschreibung der Funktionen Schüler und Ausbilder.

## Konfiguration des Senders BNF Basic

Um einen anderen Spektrum-Sender als den enthaltenen DXS mit dem Fluggerät der RTF Basic-Version zu benutzen, verwenden Sie die Einstellungstabelle, die Ihrer Senderreihe oder den Reihen DX, NX oder iX entsprechen, um den Sender zu programmieren.

Bei Benutzung der empfohlenen Konfiguration ist das Sender-Schalter-Layout folgendermaßen:

- Schalter B wählt den Flugmodus aus; Anfänger (Position 0), Fortgeschrittener (Position 1), Experte (Position 2)
- Taste I steuert den Panikmodus (Loslassen aktiviert den Panikmodus)
- Schalter F steuert die dualen Geschwindigkeiten des Querruders
- Schalter C steuert die dualen Geschwindigkeiten des Höhenruders
- Schalter G steuert die dualen Geschwindigkeiten des Seitenruders.
- Schalter H steuert die Gasabschaltung.

**WICHTIG:** Nach Vollendung der Senderkonfiguration oder Durchführung von Änderungen der Senderkonfiguration, müssen Sender und Empfänger wieder gebunden werden, um die gewünschten Failsafe-Positionen zu sichern.

### Duale Geschwindigkeiten

Machen Sie die ersten Flüge bei niedrigen Geschwindigkeiten und verwenden Sie zum Landen einen großen Ausschlag am Höhenruder.

**HINWEIS:** Um sicherzustellen, dass die AS3X-Technologie einwandfrei funktioniert, die Werte nicht unter 50 % senken. Wenn geringere Steuerausschläge gewünscht werden, die Position des Gestänges am Servoarm manuell anpassen

**HINWEIS:** Tritt Oszillation bei hoher Geschwindigkeit auf, die Anleitung zur Fehlerbehebung für weitere Informationen lesen.

### Exponentiell

Passen Sie nach den ersten Flügen die exponentiellen Einstellungen im Sender an, um die Feineinstellung des Ansprechverhaltens des Fluggeräts neutral gegenüber Ihren Präferenzen vorzunehmen.

### Konfiguration von Sendern der iX-Serie

1. Schalten Sie Ihren Sender EIN und beginnen Sie, sobald die App Spektrum AirWare geöffnet ist.  
Wählen Sie das orangene Stiftsymbol oben links auf dem Bildschirm. Das System erfragt eine Erlaubnis zum **Ausschalten HF**, wählen Sie **FORTFAHREN**
2. Wählen Sie die drei Punkte oben rechts auf dem Bildschirm.  
Wählen Sie **Neues Modell hinzufügen**
3. Gehen Sie auf Modelloption, wählen Sie **STANDARDMÄSSIG**, wählen Sie **Flugzeug**. Das System fragt, ob Sie ein neues Acro-Modell erstellen möchten, wählen Sie **Erstellen**
4. Wählen Sie das letzte Modell in der Liste aus, das **Acro** heißt. Klicken Sie das Wort Acro an und geben Sie der Datei einen neuen Namen Ihrer Wahl.
5. Klicken Sie auf das Symbol schwarzer Zurück-Pfeil oben links auf dem Bildschirm, um zum Hauptbildschirm zurückzukehren
6. Gehen Sie auf **Modelleinstellung**;  
Wählen Sie **Kanalzuweisung, FORTFAHREN**  
*5 Getriebe: Schalter B*  
*6 Aux1: Schalter I*  
Klicken und halten Sie das Symbol schwarzer Zurück-Pfeil oben links auf dem Bildschirm gedrückt, um zum Hauptbildschirm zurückzukehren
7. Zum Menü **Anpassen des Modells** gehen
8. Wählen Sie **Duale Raten und Exponential**;  
*Kanal: Querruder*  
*Schalter: Schalter F*  
Stellen Sie Schalterpositionen **0** und **1** ein: *Rate 100%, Exponential 10%*  
Stellen Sie Schalterposition **2** ein: *Rate 70%, Exponential 5%*
9. *Kanal: Höhenruder*  
*Schalter: Schalter C*  
Stellen Sie Schalterpositionen **0** und **1** ein: *Rate 100%, Exponential 10%*  
Stellen Sie Schalterposition **2** ein: *Rate 70%, Exponential 5%*
10. *Kanal: Querruder*  
*Schalter: Schalter G*  
Stellen Sie Schalterpositionen **0** und **1** ein: *Rate 100%, Exponential 10%*  
Stellen Sie Schalterposition **2** ein: *Rate 70%, Exponential 5%*
11. Den Zurück-Pfeil antippen, um zum Menü **Modell anpassen** zurückzukehren
12. Wählen Sie **Gasabschaltung**;  
*Schalter: Schalter H*  
*Position: -100%*



### Konfiguration von Sendern der NX-Serie

1. Schalten Sie Ihren Sender EIN, klicken Sie das Scrollrad an, gehen Sie auf **Systemkonfiguration** und klicken das Scrollrad an. Wenn Sie aufgefordert werden HF auszuschalten, wählen Sie ja.
2. Gehen Sie auf **Modellauswahl** und wählen Sie **<Neues Modell hinzufügen>** unten in der Liste. Wählen Sie **Flugzeugtyp** durch Auswählen des Flugzeugs, wählen Sie **Erstellen**
3. **Modellnamen** einstellen: Geben Sie einen Namen für Ihre Modelldatei ein
4. Gehen Sie zu **Kanal zuordnen**
  - 5 **Getriebe**: Ändern Sie **A** auf **Schalter B**
  - 6 **Aux1**: Ändern Sie **D** auf **Taste I**
 Klicken Sie **Liste** zum Verlassen
5. Wählen Sie **<Hauptbildschirm>**, Klicken Sie das Scrollrad an, um zur **Funktionsliste** zu gelangen
6. Gehen Sie auf **D/R (Duale Rate) und Exponential**;  
**Kanal: Querruder**  
**Schalter** einstellen: **Schalter F**  
 Stellen Sie Schalterpositionen **0** und **1** ein: **Rate 100%, Exponential 10%**  
 Stellen Sie Schalterposition **2** ein: **Rate 70%, Exponential 5%**
7. Gehen Sie auf **D/R (Duale Rate) und Exponential**;  
**Kanal: Höhenruder**  
**Schalter** einstellen: **Schalter C**  
 Stellen Sie Schalterpositionen **0** und **1** ein: **Rate 100%, Exponential 10%**  
 Stellen Sie Schalterposition **2** ein: **Rate 70%, Exponential 5%**
8. Gehen Sie auf **D/R (Duale Rate) und Exponential**;  
**Kanal: Seitenruder**  
**Schalter** einstellen: **Schalter G**  
 Stellen Sie Schalterpositionen **0** und **1** ein: **Rate 100%, Exponential 10%**  
 Stellen Sie Schalterposition **2** ein: **Rate 70%, Exponential 5%**
9. Wählen Sie **Liste**, um zur **Funktionsliste** zurückzukehren
10. Wählen Sie **Gasabschaltung**;;  
**Schalter: Schalter H**  
**Position: -100%**

### Konfiguration von Sendern der DX-Serie

1. Schalten Sie Ihren Sender EIN, klicken Sie das Scrollrad an, gehen Sie auf **Systemkonfiguration** und klicken das Scrollrad an. Wenn Sie aufgefordert werden HF auszuschalten, wählen Sie ja.
2. Gehen Sie auf **Modellauswahl** und wählen Sie **<Neues Modell hinzufügen>** ganz unten in der Liste. Das System fragt, ob Sie ein neues Modell erstellen möchten, wählen Sie **Erstellen**
3. **Modelltyp** einstellen: Wählen Sie **Flugzeugmodelltyp** durch Auswählen des Flugzeugs. Das System bittet Sie, den Modelltyp zu bestätigen. Die Daten werden zurückgesetzt. **JA** auswählen
4. **Modellnamen** einstellen: Geben Sie einen Namen für Ihre Modelldatei ein
5. Wählen Sie **<Hauptbildschirm>**, Klicken Sie das Scrollrad an, um zur **Funktionsliste** zu gelangen
6. Gehen Sie auf **D/R (Duale Rate) und Exponential**;  
**Kanal: Querruder**  
**Schalter** einstellen: **Schalter F**  
 Stellen Sie Schalterpositionen **0** und **1** ein: **Rate 100%, Exponential 10%**  
 Stellen Sie Schalterposition **2** ein: **Rate 70%, Exponential 5%**
7. Gehen Sie auf **D/R (Duale Rate) und Exponential**;  
**Kanal: Höhenruder**  
**Schalter** einstellen: **Schalter C**  
 Stellen Sie Schalterpositionen **0** und **1** ein: **Rate 100%, Exponential 10%**  
 Stellen Sie Schalterposition **2** ein: **Rate 70%, Exponential 5%**
8. Gehen Sie auf **D/R (Duale Rate) und Exponential**;  
**Kanal: Seitenruder**  
**Schalter** einstellen: **Schalter G**  
 Stellen Sie Schalterpositionen **0** und **1** ein: **Rate 100%, Exponential 10%**  
 Stellen Sie Schalterposition **2** ein: **Rate 70%, Exponential 5%**
9. Wählen Sie **Liste**, um zur **Funktionsliste** zurückzukehren
10. Wählen Sie **Gasabschaltung**;;  
**Schalter: Schalter H**  
**Position: -100%**

## Geschwindigkeitsregler der Smart Technology

Apprentice S 2 1.2m ist mit einem exklusiven Smart-Technology-Geschwindigkeitsregler ausgestattet, der während des Fliegens eine Vielzahl von mit dem Leistungssystem verbundenen Telemetriedaten liefert, darunter Motordrehzahl, Strom, Akkuspannung und vieles mehr, wie kompatible Sender mit Spektrum AirWare Ausrüstung.

Nach dem Einschalten, wird der Geschwindigkeitsregler die nachfolgend aufgelisteten Informationen an die Flugsteuerung senden und diese Informationen werden auf dem Telemetrie Bildschirm des Senders angezeigt.

- U/min\*
- Spannung
- Strom
- Gas
- FET Temperature [Temperatur bürstenloser Geschwindigkeitsregler]
- BEC Temperature [Temperatur bürstenloser Geschwindigkeitsregler]

\* Damit die Drehzahl-Telemetrieinformation korrekt angezeigt wird, müssen Sie den Motorpole-Zähler in den Telemetrie-einstellungen Ihres Senders programmieren.

Apprentice S 2 1.2m verwendet einen 14-poligen Motor.

### Zum Programmieren des Motorpole-Zählers:

1. Schalten Sie den Sender ein.
2. Stellen Sie die Gasabschaltung ein.
3. Das Flugzeug einschalten und Initialisierung ermöglichen.
4. Gehen Sie in Ihrem Sender auf die **Funktionsliste (Modelleinstellung)** in Sendern der iX Reihe).
5. Wählen Sie die Menüoption **Telemetrie**.

ESC Status			
RPM:	0		
Volts:	0.0V		
Motor:	0.0A	0% Output	
Throttle:	0%		
Fet Temp:	0.0C		
BEC:	0.0C	0.0A	0.0V

6. Gehen Sie zur Menüoption **Geschwindigkeitsregler**.
7. Scrollen Sie zu den **Polen**.
8. Geben Sie **14** ein (für Sender der iX Reihe müssen Sie Speichern klicken, um Ihre Änderungen zu speichern).
9. Auf den Hauptbildschirm zurückkehren.

## Optionale Schwimmer (Starten und Landen auf Wasser)

**WICHTIG:** Wir empfehlen das Fliegen mit Schwimmern nur dann, wenn Sie problemlos im Flugmodus Experte fliegen können.

Schwimmer nur verwenden, wenn die Flugeigenschaften des Flugzeugs bekannt sind und mehrere Starts, Flüge und Landungen erfolgreich durchgeführt wurden. Das Starten von Gewässern stellt ein größeres Risiko für das Flugzeug dar, da die Elektronik ausfallen kann, wenn das Flugzeug vollständig unter Wasser gerät.

Optionale Schwimmer und Kabel zur Schwimmermontage (HBZ7390) separat erhältlich.

Stellen Sie stets sicher, dass die optionalen Schwimmer sicher am Rumpf angebracht sind, bevor Sie das Fluggerät ins Wasser stellen.

Zum Starten vom Wasser aus:

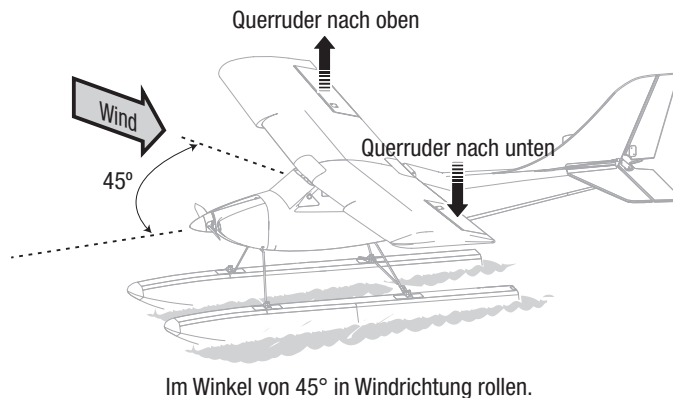
1. Steigern Sie die Gaszufuhr langsam, steuern mit dem Seitenruder, um die Ausrichtung des Fluggeräts gerade und gegen den Wind zu bewahren. Ein schnelles Ansteigen der Geschwindigkeit, da die Drehkraft des Motors ein Rollen des Flugzeugs nach links auf dem Wasser verursachen kann.
2. Eine kleine Menge (1/4 bis 1/3) des Höhenruders zurückhalten und das Flugzeug wird abheben, sobald es die Fluggeschwindigkeit erreicht hat.
3. Die Flügel beim Start waagrecht halten.

Zum Landen des Flugzeugs auf Wasser, dieses etwa einen Meter über der Wasseroberfläche fliegen lassen. Die Geschwindigkeit verringern und die Seitenruder ausfahren, um das Flugzeug abzufangen.

Beim Rollen muss zur Vorwärtsbewegung des Flugzeugs der Gashebel betätigt, aber mit dem Steuerknüppel für das Seitenruder gelenkt werden. Der Steuerknüppel wird das Seitenruder des Flugzeugs und ein kleines am linken Schwimmer befestigtes Ruder bewegen.

Das Rollen gegen Seitenwind vermeiden, da dieser ein Umkippen des Flugzeugs verursachen kann, wenn der Wind unter den windwärts gerichteten Flügel gelangt. Im Winkel von 45 Grad in Richtung des Windes (und nicht senkrecht zum Wind) rollen und die Querruder verwenden, um den windwärts gerichteten Flügel unten zu halten. Das Flugzeug wird beim Rollen versuchen, sich in den Wind zu drehen.

Das Flugzeug nach der Landung auf dem Wasser vollständig abtrocknen lassen.



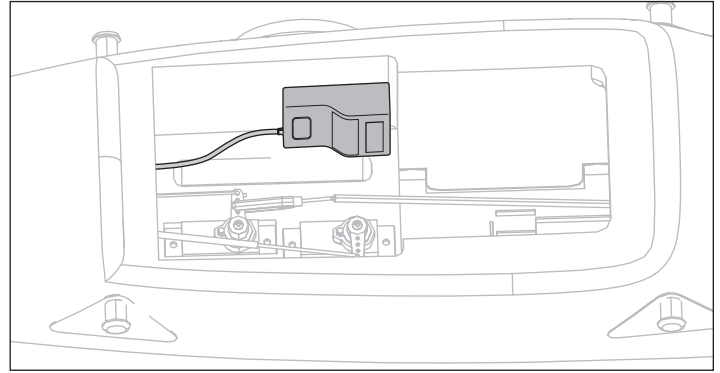
**ACHTUNG:** Niemals alleine ins Wasser gehen, um ein abgestürztes Flugzeug zu bergen.

**ACHTUNG:** Tritt zu irgendeinem Zeitpunkt Wasser während des Fliegens vom Wasser aus in den Rumpf ein, das Flugzeug an Land bringen, die Akku-Abdeckung entfernen und sofort das in den Rumpf eingedrungene Wasser entfernen. Die Akku-Abdeckung über Nacht geöffnet lassen, sodass das Innere trocknen kann, und um Feuchtigkeitsschäden an den elektrischen Bauteilen zu verhindern. Wird dies unterlassen, so kann dies ein Ausfall der elektrischen Bauteile verursachen und einen Absturz zur Folge haben.

## Wartung und Reparaturen

**HINWEIS:** Nach einem Absturz oder Austausch immer sicherstellen, dass der Empfänger **im Rumpf gesichert** ist. Wird der Empfänger ersetzt, den neuen Empfänger in derselben Ausrichtung wie der Originalempfänger montieren, da es ansonsten zu Schäden kommen kann.

Dank des EPO-Schaummaterials in Tragfläche und Rumpf dieses Fluggeräts können Reparaturen am Schaumstoff mit fast jedem Klebstoff (Heißeim, regulärer CA (Cyanacrylat-Klebstoff), Epoxid usw.) durchgeführt werden. Können Bauteile nicht repariert werden, siehe Ersatzteilliste zum Bestellen nach Artikelnummer. Eine Aufzählung aller Ersatzteile und optionaler Bauteile findet sich in der Liste auf der Rückseite dieser Anleitung.



### Wartung der elektrischen Teile



**ACHTUNG:** Vor dem Abbau des Propellers immer ZUERST den Flug-Akku trennen.

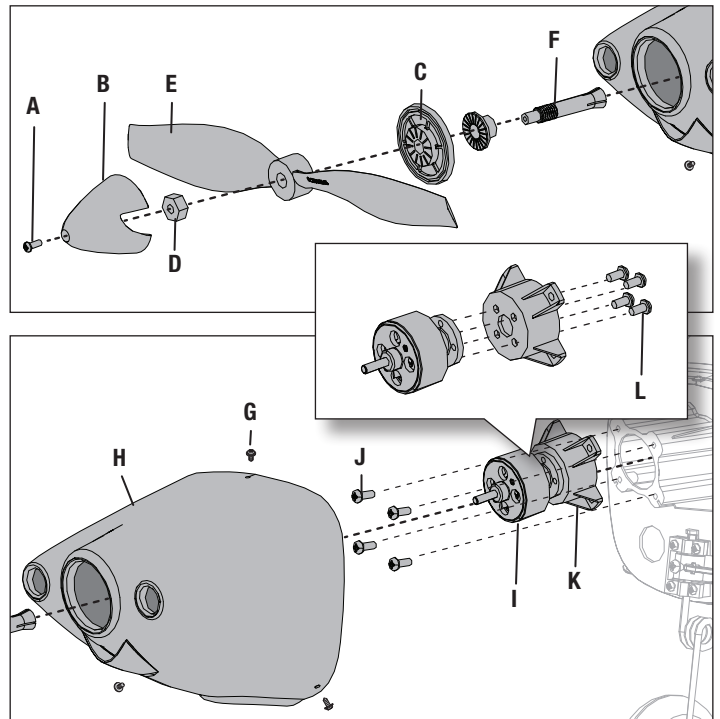
#### Zerlegen

1. Schraube (A) und Spinner (B) von der Spinnerrückplatte (C) entfernen.
2. Sechskantmutter (D), Propeller (E), und Spinnerrückplatte von der Klemmbuchse (F) entfernen. Zum Entfernen der Sechskantmutter kann ein Werkzeug erforderlich sein.
3. Die 3 Schrauben (G) und die Motorhaube (H) vorsichtig vom Rumpf entfernen.
4. Die Klemmbuchse vom Motor (I) entfernen.
5. Die 4 Schrauben (J) von Motorhalterung (K) und Rumpf trennen.
6. Die Motorkabel von den Anschlüssen des Geschwindigkeitsreglers trennen.
7. Die 4 Schrauben (L) entfernen, um den Motor aus der Motorhalterung zu nehmen.

Alles in umgekehrter Reihenfolge wieder zusammenbauen.

#### Tipps für den Zusammenbau

- Die Aderfarben der Motordrähte korrekt mit den Drähten des Geschwindigkeitsreglers verbinden.
- Die Größenangabe (8,25 x 5,5) des Propellers muss für den ordnungsgemäßen Propellerbetrieb nach außen vom Motor weg weisen.
- Für den sicheren Betrieb sicherstellen, dass der Spinner vollständig an der Spinnerrückplatte befestigt ist.



### Einstellungen von Steuerhorn und Servoarm

**HINWEIS:** Eine Verbindung in eine andere Position zu bringen, kann den Servoarm blockieren oder die Funktionsfähigkeit der SAFE-Technologie beeinträchtigen.

Die Darstellung zeigt die werkseitigen Locheinstellungen in den Servo-Armen und den Steuerhörnern.

	Höhenruder	Querruder	Seitenruder
Arme			
Hörner			

## Leitfaden Zur Problemlösung SAFE Technologie

Problem	Mögliche Ursache	Lösung
Schwingungen	Fliegen über der empfohlenen Geschwindigkeit	Reduzieren Sie die Geschwindigkeit
	Beschädigter Propeller oder Spinner	Ersetzen Sie den Propeller oder Spinner
	Propeller nicht gewuchtet	Wuchten Sie den Propeller. Für mehr Informationen sehen Sie bitte John Redmanns Propeller Balancing Video unter <a href="http://www.horizonhobby.com">www.horizonhobby.com</a>
	Motorvibrationen	Ersetzen Sie alle Teile und ziehen Befestigungen wie benötigt an
	Empfänger lose	Richten Sie den Empfänger im Rumpf aus und befestigen Sie ihn
	Lose Komponenten	Befestigen und sichern Sie die Teile (Servo Arm, Gestänge, Servohorn und Ruder)
	Teile verschlissen	Justieren Sie zur Kompensation abgenutzte Teile oder ersetzen diese (speziell Propeller, Gelenke oder Servos)
	Servoaussetzer	Ersetzen Sie das Servo
Extreme Trimmausschläge, Flugzeug fliegt nicht gerade	Trimmung ist nicht neutral	Sollten Sie mehr als 4 Klicks benötigen, justieren Sie den Gabelkopf mechanisch

## Leitfaden zur Problemlösung

Problem	Mögliche Ursache	Lösung
Das Fluggerät reagiert nicht auf Gaseingaben, aber auf andere Steuerungen	Das Gas befindet sich nicht im Leerlauf, und/oder die Gastrimmung ist zu hoch	Steuerungen mit Gassteuerknüppel und Gastrimmung auf niedrigste Einstellung zurücksetzen
	Gas-Servoweg ist niedriger als 100%	Sicherstellen, das der Gas-Servoweg 100% oder mehr beträgt
	Gaskanal ist reversiert (umgedreht)	Reversieren (drehen) Sie den Gaskanal am Sender
	Motor ist vom Regler getrennt	Stellen Sie sicher dass der Motor am Regler angeschlossen ist
Zusätzliches Propellergeräusch oder zusätzliche Schwingung	Propeller und Spinner, Aufnahme oder Motor beschädigt	Beschädigte Teile austauschen
	Propeller läuft unrund	Wuchten oder ersetzen Sie den Propeller
	Propellerschraube ist zu lose	Ziehen Sie die Propellermutter an
	Spinner ist nicht vollständig befestigt	Ziehen Sie den Spinner an oder setzen ihn 180° gedreht auf
Verringerte Flugzeit oder untermotorisiertes Fluggerät	Ladestatus des Flugakkus ist niedrig	Flugakku vollständig neu aufladen
	Propeller umgekehrt eingebaut	Propeller mit Nummern nach vorne weisend einbauen
	Flugakku beschädigt	Flugakku austauschen und Anweisungen des Flugakkus befolgen
	Flugbedingungen können zu kalt sein	Sicherstellen, dass Akku vor Verwendung warm ist
	Akkukapazität zu gering für die Flugbedingungen	Ersetzen Sie den Akku mit einem größerer Kapazität
Das Fluggerät lässt sich (während der Bindung) nicht an den Sender binden	Sender steht während des Bindens zu nah am Empfänger	Stellen Sie den Sender etwas weiter vom Empfänger weg Trennen Sie den Flugakku und schließen ihn erneut an
	Fluggerät oder Sender sind zu nahe an einem großen Metallgegenstand	Stellen Sie den Sender weiter weg von den großen metallischen Objekten
	Der Bindestecker steckt nicht ordnungsgemäß im Bindeanschluss	Bindestecker in den Bindeanschluss stecken und Fluggerät an den Sender binden
	Ladestatus des Flugakkus/der Senderbatterie zu gering	Den Flugakku bzw. die Batterie neu aufladen bzw. austauschen
	Bindeschalter oder Knopf wurde während des Bindevorganges nicht lang genug gedrückt gehalten	Schalten Sie den Sender aus und wiederholen den Bindevorgang. Halten Sie den Senderbindebutton / Schalter gedrückt bis der Empfänger gebunden ist
Das Fluggerät lässt sich (nach der Bindung) nicht mit dem Sender verbinden	Der Sender ist während des Verbindungsvorgangs zu nahe am Fluggerät	Den eingeschalteten Sender ein paar Fuß vom Fluggerät bewegen, Flugakku vom Flugzeug abklemmen und wieder anschließen
	Fluggerät oder Sender sind zu nahe an einem großen Metallgegenstand	Stellen Sie den Sender weiter weg von den großen metallischen Objekten
	Bindestecker blieb im Bindeanschluss stecken	Sender neu mit Flugzeug binden, und Bindestecker vor dem Einschalten abziehen
	Flugzeug an Speicher von anderem Modell gebunden (nur Model Match Sender)	Richtigen Modellspeicher auf dem Sender wählen
	Ladestatus des Flugakkus/der Senderbatterie zu gering	Den Flugakku bzw. die Batterie neu aufladen bzw. austauschen
	Der Sender wurde möglicherweise an ein anderes Modell gebunden (oder mit anderem DSM-Protokoll)	Binden Sie das Fluggerät an den Sender

Problem	Mögliche Ursache	Lösung
Ruder bewegt sich nicht	Beschädigung von Ruder, Steuerruderhorn, Anlenkgestänge oder Servo	Beschädigte Teile austauschen oder reparieren und Steuerungen anpassen
	Gestänge beschädigt oder Verbindungen locker	Richtiges Modell neu an den Sender binden oder im Sender wählen
	Sender ist nicht ordnungsgemäß gebunden, oder das falsche Modell wurde gewählt	Richtiges Modell neu an den Sender binden oder im Sender wählen
	Akkuladung ist zu niedrig	Laden Sie den Flugakku vollständig
	Empfängerstromversorgung (BEC) des Reglers ist beschädigt	Ersetzen Sie den Regler
Steuerung reversiert	Sendereinstellungen sind umgekehrt	Steuerrichtungstest durchführen, und die Steuerungen auf dem Sender geeignet anpassen
Motor pulsiert und verliert an Leistung	ESC verwendet als Standardeinstellung sanfte Niederspannungsabschaltung (LVC)	Laden Sie den Flugakku vollständig oder ersetzen den Akku
	Wetterbedingungen u. U. zu kalt	Verschieben Sie den Flug bis es wärmer ist
	Batterie ist alt, leer oder beschädigt	Ersetzen Sie den Akku
	Batteriestromleistung u. U. zu schwach	Verwenden Sie den empfohlenen Akku
Ruder bewegen sich nach dem Einschalten nicht	Flugzeug wurde während der Initialisierung bewegt	Das Flugzeug muß während der Initialisierung absolut ruhig stehen

## Ersatzteile

Teile-Nr.	Beschreibung
EFLA1030FB	30 A telemetriefähiger Geschwindigkeitsregler
HBZ3101	Flügelsatz
HBZ3102	Rump
HBZ3103	Leitwerksatz
HBZ3104	Motorhaube
HBZ3105	Gestängesatz
HBZ3106	Bugfahrwerk
HBZ3107	Hauptfahrwerk
HBZ3108	Brandschott und Motorhalterung
HBZ3109	Bugfahrwerkarm und Befestigungslaschen
HBZ3110	Akkuklappe
HBZ3111	Räder; 58mm (3):
HBZ3114	Spinner; 34mm
HBZ3115	Hardwaresatz
HBZ3116	Propeller-Adapter
HBZ3118	Decalsatz
SPMAR631	AR631 mit 6 Kanälen AS3X/SAFE Empfänger
SPMR1010	Nur DXS-Sender
SPMSA381	Sub-Micro 9-g-Servo 400 mm Leitung
SPMSA382	14g Sub-Micro MG-Servo, 240mm Leitung
SPMX1300S30M	1300 mAh 3S 11,1 V Smart 30C LiPo; IC3
SPMXAM1900	2832-1300kv 14-polig
SPMXC1020	Smart S120 USB-C-Ladegerät, 1 x 20 W

## Empfohlene Teile

Teile-Nr.	Beschreibung
SPMXPSA200	Smart G2 Air Powerstage 2

## Optionale Teile

Teile-Nr.	Beschreibung
HBZ3113	Kabel zur Schwimmermontage: MiniApprentice
HBZ7390	Schwimmersatz
SPMR6775	Nur NX6 6-Kanal-Sender
RFL1205	RealFlight Trainer Edition RC-Flugsimulator
SPMWS2000	Drahtloser Simulator USB-Dongle (SPMWS2000)
SPMXPSA3	Smart Powerstage Aircraft Bundle 3S
SPMXC1070	Smart S150 Wechsel-/Gleichstrom-Ladegerät, 1x50 W
SPMXBC100	Smart-Akku und Servotester
SPMXC2050	S155 G2 1x55W AC Smart-Ladegerät

## Hardware

Standort	Beschreibung	Menge
Spinner	M2,5 x 5mm Maschinenschraube	1
Motorhaube	M2 x 4mm Blechschraube	3
Motorhalterung	M3 x 8mm Blechschraube	4
Motor	M3 x 6mm Maschinenschraube	4
Halteriem des Bugfahrwerks	M2,5 x 8mm Blechschraube	4
Feststellschraube für Bugfahrwerk	M3 x 6mm Maschinenschraube	1
Halteriem des Fahrwerks	M2,5 x 8mm Blechschraube	8
Anschlaghülse	M2,5 x 4mm Maschinenschraube	3
Seitenleitwerk	M2,5 x 8mm Blechschraube	2
Steuerhörner	M2 x 8mm Maschinenschraube	8

## Glossar wichtiger Begriffe

**Querruder:** Steuerfläche an der Hinterkante jedes Flügels. Durch Rechtssteuerung des Querruders lenkt das rechte Querruder nach oben und das linke Querruder nach unten. Das Fluggerät rollt nach rechts. Durch Linkssteuerung des Querruders lenkt das linke Querruder nach oben und das rechte Querruder nach unten. Das Fluggerät rollt nach links.

**AS3X:** Aktive Stabilisierung, 3-achsige. Ein elektronisches Stabilisierungssystem, das äußeren Einflüssen entgegenwirkt, wie Wind, Turbulenzen, Drehmoment, Strömungsabriss, Steuerungsempfindlichkeitsprobleme durch den Schwerpunkt, damit das Fluggerät leichtgängiger funktioniert und eine bessere Flugerfahrung geliefert wird.

**Binden:** Der Vorgang elektrischer Bindung von Sender an Empfänger. Das Fluggerät erkennt dann nur einen besonderen Sender.

**Schwerpunkt (CG):** Punkt, an dem das Fluggerät ausbalanciert ist, insbesondere von vorne nach hinten.

**Gabelkopf:** Der U-förmige Anschluss am Ende des Fluggerät-Gestänges, das die Anpassung der Gestängelänge ermöglicht.

**Ruderausschlag:** Der Abstand, den eine Steuerungsfläche auslenkt. Normalerweise von der breitesten Stelle der Steuerfläche gemessen

**Zweiflüchtig:** Positiver oder Aufwärtswinkel der Tragfläche von der Wurzel der Tragfläche bis zur Spitze. Das Hinzufügen der Zweiflüchtigkeit zur Tragfläche verbessert die Stabilität in der Rollachse.

**Duale Geschwindigkeit:** Im Sender gefundene Einstellung, die zwei verschiedene Ruderausschlagdistanzen ermöglicht, wenn der Steuerhebel vollständig ausgelenkt ist. Langsame Geschwindigkeit führt bei vollständiger Auslenkung zu weniger Ruderausschlag und damit weniger Empfindlichkeit für das Fluggerät. Hohe Geschwindigkeiten führen bei vollständiger Auslenkung zu mehr Ruderausschlag und damit mehr Empfindlichkeit für das Fluggerät.

**Höhenruder:** Steuerfläche an der Hinterkante des horizontalen Stabilisators. Wenn das Höhenruder sich nach oben bewegt, steigt das Fluggerät. Wenn das Höhenruder sich nach unten bewegt, sinkt das Fluggerät.

**Elektronischer Geschwindigkeitsregler:** ein elektronische Gerät zur Steuerung und Regelung der Motorgeschwindigkeit. Es hat an Anschlüsse an Akku, Motor und Sender.

**Exponentiell:** Eine im Sender programmierte Einstellung, die dem Piloten ermöglicht, die Empfindlichkeit der Steuerungen auf neutral anzupassen. Steigerung des exponentiellen Werts führt zu sanfterem Steuergefühl auf neutral, wodurch das Fluggerät weniger empfindlich gegenüber Steuereingaben wird. Exponentiell wirkt sich nur auf die Steuerungen auf neutral aus.

## Haftungsbeschränkung

**Warnung**—Ein ferngesteuertes Modell ist kein Spielzeug. Es kann, wenn es falsch eingesetzt wird, zu erheblichen Verletzungen bei Lebewesen und Beschädigungen an Sachgütern führen. Betreiben Sie Ihr RC-Modell nur auf freien Plätzen und beachten Sie alle Hinweise der Bedienungsanleitung des Modells wie auch der Fernsteuerung.

**Garantiezeitraum**—Exklusive Garantie Horizon Hobby LLC (Horizon) garantiert, dass das gekaufte Produkt frei von Material- und Montagefehlern ist. Der Garantiezeitraum entspricht den gesetzlichen Bestimmungen des Landes, in dem das Produkt erworben wurde. In Deutschland beträgt der Garantiezeitraum 6 Monate und der Gewährleistungszeitraum 18 Monate nach dem Garantiezeitraum.

**Einschränkungen der Garantie**—(a) Die Garantie wird nur dem Erstkäufer (Käufer) gewährt und kann nicht übertragen werden. Der Anspruch des Käufers besteht in der Reparatur oder dem Tausch im Rahmen dieser Garantie. Die Garantie erstreckt sich ausschließlich auf Produkte, die bei einem autorisierten Horizon Händler erworben wurden. Verkäufe an Dritte werden von dieser Garantie nicht gedeckt. Garantieansprüche werden nur angenommen, wenn ein gültiger Kaufnachweis erbracht wird. Horizon behält sich das Recht vor, diese Garantiebestimmungen ohne Ankündigung zu ändern oder modifizieren und widerruft dann bestehende Garantiebestimmungen.

**Niedrigtrennschaltung (LVC):** Eine im elektronischen Geschwindigkeitsregler eingebaute Sicherheitsfunktion, die aktiviert wird, wenn die Akkuspannung unter eine festgelegte Schwelle absinkt und die Stromversorgung des Motors getrennt wird, aber Empfänger und Servos immer noch mit Strom versorgt werden, damit das Flugzeug sicher landen kann.

**Steigung:** Die Drehung der Nase des Flugzeugs nach oben oder unten, gesteuert vom Höhenruder.

**Reichweitentest:** Test um zu prüfen, ob Sender und Empfänger richtig funktionieren. Der Test erfolgt, indem der Sender auf einen Modus mit geringer Leistung eingestellt und die Steuerfunktion aus einer festgelegten Entfernung getestet wird.

**Empfänger:** ein im Fluggerät installiertes elektronisches Gerät, das die Steuereingaben dekodiert, die vom Sender gesendet werden und die Eingaben an die Servos schickt.

**Rollen:** Links- und Rechtsdrehung des Fluggeräts um seine Längsachse.

**Seitenruder:** Steuerfläche an der Hinterkante des vertikalen Stabilisators. Rechtssteuerung des Seitenruders führt zur Rechtsdrehung der Nase des Fluggeräts. Linkssteuerung des Seitenruders führt zur Linksdrehung der Nase des Fluggeräts.

**SAFE-(Sensor Assisted Flight Envelope-)Technologie:** Bietet ruhigere Flugfähigkeit, um windigen Bedingungen zu begegnen und zahlreiche Modi, damit Sie mit der Schutzstufe und Unterstützung fliegen können, die dem jeweiligen Flugmoment entspricht.

**Servo:** Elektrische Komponente, die die Steuersignale vom Empfänger in Bewegung der Steuerfläche umwandelt. Der Servo ist über ein Gestänge mit der Steuerfläche verbunden.

**Gashebel:** Steuereingabe, die die Motorgeschwindigkeit reguliert. Durch höhere Gaseinstellung dreht sich der Motor schneller und der Vorwärtsschub wird vergrößert. Durch niedrigere Gaseinstellung dreht sich der Motor langsamer und der Vorwärtsschub wird verringert.

**Sender:** Vom Piloten gehaltene Kontrolleinheit, die Signale an das Fluggerät sendet.

**Gier:** Links- oder Rechtsdrehung der Nase des Fluggeräts, vom Seitenruder gesteuert.

(b) Horizon übernimmt keine Garantie für die Verkaufbarkeit des Produktes, die Fähigkeiten und die Fitness des Verbrauchers für einen bestimmten Einsatzzweck des Produktes. Der Käufer allein ist dafür verantwortlich, zu prüfen, ob das Produkt seinen Fähigkeiten und dem vorgesehenen Einsatzzweck entspricht.

(c) Ansprüche des Käufers → Es liegt ausschließlich im Ermessen von Horizon, ob das Produkt, bei dem ein Garantiefall festgestellt wurde, repariert oder ausgetauscht wird. Dies sind die exklusiven Ansprüche des Käufers, wenn ein Defekt festgestellt wird.

Horizon behält sich vor, alle eingesetzten Komponenten zu prüfen, die in den Garantiefall einbezogen werden können. Die Entscheidung zur Reparatur oder zum Austausch liegt nur bei Horizon. Die Garantie schließt kosmetische Defekte oder Defekte, hervorgerufen durch höhere Gewalt, falsche Behandlung des Produktes, falscher Einsatz des Produktes, kommerziellen Einsatz oder Modifikationen irgendwelcher Art aus.

Die Garantie schließt Schäden, die durch falschen Einbau, falsche Handhabung, Unfälle, Betrieb, Service oder Reparaturversuche, die nicht von Horizon ausgeführt wurden aus.

Ausgeschlossen sind auch Fälle die bedingt durch (vii) eine Nutzung sind, die gegen geltendes Recht, Gesetze oder Regularien verstoßen haben. Rücksendungen durch den Käufer direkt an Horizon oder eine seiner Landesvertretung bedürfen der Schriftform.

**Schadensbeschränkung**—Horizon ist nicht für direkte oder indirekte Folgeschäden, Einkommensausfälle oder kommerzielle Verluste, die in irgendeinem Zusammenhang mit dem Produkt stehen verantwortlich, unabhängig ob ein Anspruch im Zusammenhang mit einem Vertrag, der Garantie oder der Gewährleistung erhoben werden. Horizon wird darüber hinaus keine Ansprüche aus einem Garantiefall akzeptieren, die über den individuellen Wert des Produktes hinaus gehen. Horizon hat keinen Einfluss auf den Einbau, die Verwendung oder die Wartung des Produktes oder etwaiger Produktkombinationen, die vom Käufer gewählt werden. Horizon übernimmt keine Garantie und akzeptiert keine Ansprüche für in der Folge auftretende Verletzungen oder Beschädigungen. Mit der Verwendung und dem Einbau des Produktes akzeptiert der Käufer alle aufgeführten Garantiebestimmungen ohne Einschränkungen und Vorbehalte.

Wenn Sie als Käufer nicht bereit sind, diese Bestimmungen im Zusammenhang mit der Benutzung des Produktes zu akzeptieren, werden Sie gebeten, dass Produkt in unbenutztem Zustand in der Originalverpackung vollständig bei dem Verkäufer zurückzugeben.

**Sicherheitshinweise**—Dieses ist ein hochwertiges Hobby Produkt und kein Spielzeug. Es muss mit Vorsicht und Umsicht eingesetzt werden und erfordert einige mechanische wie auch mentale Fähigkeiten. Ein Versagen, das Produkt sicher und umsichtig zu betreiben kann zu Verletzungen von Lebewesen und Sachbeschädigungen erheblichen Ausmaßes führen. Dieses Produkt ist nicht für den Gebrauch durch Kinder ohne die Aufsicht eines Erziehungsberechtigten vorgesehen. Die Anleitung enthält Sicherheitshinweise und Vorschriften sowie Hinweise für die Wartung und den Betrieb des Produktes. Es ist unabdingbar, diese Hinweise vor der ersten Inbetriebnahme zu lesen und zu verstehen. Nur so kann der falsche Umgang verhindert und Unfälle mit Verletzungen und Beschädigungen vermieden werden.

**Fragen, Hilfe und Reparaturen**—Ihr lokaler Fachhändler und die Verkaufsstelle können eine Garantiebeurteilung ohne Rücksprache mit Horizon nicht durchführen. Dies gilt auch für Garantiereparaturen. Deshalb kontaktieren Sie in einem solchen Fall den Händler, der sich mit Horizon kurz schließen wird, um eine sachgerechte Entscheidung zu fällen, die Ihnen schnellst möglich hilft.

## Garantie und Service Kontaktinformationen

Land des Kauf	Horizon Hobby	Telefon/E-mail Adresse	Adresse
Europäische Union	Horizon Technischer Service Sales: Horizon Hobby GmbH	service@horizonhobby.de +49 (0) 4121 2655 100	Hanskampring 9 D 22885 Barsbüttel, Germany

## Konformitätshinweise für die Europäische Union

**CE EU Konformitätserklärung**  
**HBZ Apprentice S 2 1.2m RTF (HBZ310001)**; Horizon LLC erklärt hiermit, dass dieses Produkt konform zu den essentiellen Anforderungen der EU-Richtlinie über Funkanlagen 2014/53/EU; EU-Richtlinie über elektromagnetische Verträglichkeit 2014/30/EU; RoHS 2-Richtlinie 2011/65 / EU; RoHS 3-Richtlinie - Änderung 2011/65 / EU-Anhang II 2015/863.  
**HINWEIS:** Dieses Produkt enthält Batterien, die unter die europäische Richtlinie 2006/66 / EG fallen und nicht mit dem Hausmüll entsorgt werden können. Bitte beachten Sie die örtlichen Vorschriften.

**HBZ Apprentice S 2 1.2m BNF (HBZ315001)**; Horizon LLC erklärt hiermit, dass dieses Produkt konform zu den essentiellen Anforderungen der EU-Richtlinie über Funkanlagen 2014/53/EU; EU-Richtlinie über elektromagnetische Verträglichkeit 2014/30/EU; RoHS 2-Richtlinie 2011/65 / EU; RoHS 3-Richtlinie - Änderung 2011/65 / EU-Anhang II 2015/863.

Der vollständige Text der EU-Konformitätserklärung ist unter folgender Internetadresse abrufbar:

<https://www.horizonhobby.com/content/supportrender-compliance>.

### Wireless-Frequenzbereich und Wireless-Ausgangsleistung:

#### Sender:

2402.0 - 2478.0MHz  
17.7 dBm

#### Empfänger:

2404-2476MHz  
5.58dBm

**Wartung und Reparatur**—Muss Ihr Produkt gewartet oder repariert werden, wenden Sie sich entweder an Ihren Fachhändler oder direkt an Horizon.

Rücksendungen / Reparaturen werden nur mit einer von Horizon vergebenen RMA Nummer bearbeitet. Diese Nummer erhalten Sie oder ihr Fachhändler vom technischen Service. Mehr Informationen dazu erhalten Sie im Serviceportal unter [www.horizonhobby.de](http://www.horizonhobby.de) oder telefonisch bei dem technischen Service von Horizon.

Packen Sie das Produkt sorgfältig ein. Beachten Sie, dass der Originalkarton in der Regel nicht ausreicht, um beim Versand nicht beschädigt zu werden. Verwenden Sie einen Paketdienstleister mit einer Tracking Funktion und Versicherung, da Horizon bis zur Annahme keine Verantwortung für den Versand des Produktes übernimmt. Bitte legen Sie dem Produkt einen Kaufbeleg bei, sowie eine ausführliche Fehlerbeschreibung und eine Liste aller eingesendeten Einzelkomponenten. Weiterhin benötigen wir die vollständige Adresse, eine Telefonnummer für Rückfragen, sowie eine Email Adresse.

**Garantie und Reparaturen**—Garantieanfragen werden nur bearbeitet, wenn ein Originalkaufbeleg von einem autorisierten Fachhändler beiliegt, aus dem der Käufer und das Kaufdatum hervorgeht. Sollte sich ein Garantiefall bestätigen wird das Produkt repariert oder ersetzt. Diese Entscheidung obliegt einzig Horizon Hobby.

**Kostenpflichtige Reparaturen**—Liegt eine kostenpflichtige Reparatur vor, erstellen wir einen Kostenvorschlag, den wir Ihrem Händler übermitteln. Die Reparatur wird erst vorgenommen, wenn wir die Freigabe des Händlers erhalten. Der Preis für die Reparatur ist bei Ihrem Händler zu entrichten. Bei kostenpflichtigen Reparaturen werden mindestens 30 Minuten Werkstattzeit und die Rückversandkosten in Rechnung gestellt. Sollten wir nach 90 Tagen keine Einverständniserklärung zur Reparatur vorliegen haben, behalten wir uns vor, das Produkt zu vernichten oder anderweitig zu verwerten.

**ACHTUNG:** Kostenpflichtige Reparaturen nehmen wir nur für Elektronik und Motoren vor. Mechanische Reparaturen, besonders bei Hubschraubern und RC-Cars sind extrem aufwendig und müssen deshalb vom Käufer selbst vorgenommen werden.

10/15

### Eingetragener EU-Hersteller:

Horizon Hobby, LLC  
2904 Research Road  
Champaign, IL 61822 USA

### Eingetragener EU-Importeur:

Horizon Hobby, GmbH  
Hanskampring 9  
22885 Barsbüttel Germany

### WEEE-HINWEIS:



Dieses Gerät ist gemäß der Europäischen Richtlinie 2012/19/EU über Elektro- und Elektronik-Altgeräte (WEEE) gekennzeichnet. Dieses Symbol weist darauf hin, dass dieses Produkt kein normaler Haushaltsabfall ist, sondern in einer entsprechenden Sammelstelle für Elektro- und Elektronik-Altgeräte entsorgt werden muss.

**REMARQUE**

La totalité des instructions, garanties et autres documents est sujette à modification à la seule discrétion d'Horizon Hobby, LLC. Pour obtenir la documentation à jour de ce produit, veuillez consulter le site [www.horizonhobby.com](http://www.horizonhobby.com) ou [towerhobbies.com](http://towerhobbies.com) et cliquez sur l'onglet de support du produit.


**Signification de certains termes spécifiques:**

Les termes suivants sont utilisés dans l'ensemble du manuel pour indiquer différents niveaux de danger lors de l'utilisation de ce produit:

**AVERTISSEMENT:** Procédures qui, si elles ne sont pas suivies correctement, peuvent entraîner des dégâts matériels, des dommages collatéraux et des blessures graves OU engendrer une probabilité élevée de blessure superficielle.


**ATTENTION:** Procédures qui, si elles ne sont pas suivies correctement, peuvent entraîner des dégâts matériels ET des blessures graves.

**REMARQUE:** Procédures qui, si elles ne sont pas suivies correctement, peuvent entraîner des dégâts matériels ET potentiellement un risque faible de blessures.

 **AVERTISSEMENT:** Lisez la TOTALITE du manuel d'utilisation afin de vous familiariser avec les caractéristiques du produit avant de le faire fonctionner. Une utilisation incorrecte du produit peut entraîner l'endommagement du produit lui-même, ainsi que des risques de dégâts matériels, voire de blessures graves.

Ceci est un produit de loisirs perfectionné. Il doit être manipulé avec prudence et bon sens et requiert quelques aptitudes de base en mécanique. Toute utilisation de ce produit ne respectant pas les principes de sécurité et de responsabilité peut entraîner des dégâts matériels, endommager le produit et provoquer des blessures. Ce produit n'est pas destiné à être utilisé par des enfants sans la surveillance directe d'un adulte. N'essayez pas de démonter le produit, de l'utiliser avec des composants incompatibles ou d'en améliorer les performances sans l'accord d'Horizon Hobby, LLC. Ce manuel comporte des instructions relatives à la sécurité, au fonctionnement et à l'entretien. Il est capital de lire et de respecter toutes les instructions et avertissements du manuel avant l'assemblage, le réglage ou l'utilisation afin de le manipuler correctement et d'éviter les dommages ou les blessures graves.

**14 ans et plus. Ceci n'est pas un jouet.**

 **AVERTISSEMENT CONTRE LES PRODUITS CONTREFAITS:** Si un jour vous aviez besoin de remplacer un récepteur Spektrum équipant un produit Horizon Hobby, achetez-le uniquement chez Horizon Hobby, LLC ou chez un revendeur officiel Horizon Hobby, vous serez sûr d'obtenir un produit Spektrum authentique de haute qualité. Horizon Hobby, LLC décline tout service et garantie concernant la compatibilité et les performances des produits contrefaits ou des produits clamant la compatibilité avec la technologie Spektrum ou le DSM.

## Précautions et avertissements liés à la sécurité

En tant qu'utilisateur de ce produit, il est de votre seule responsabilité de le faire fonctionner d'une manière qui ne mette en danger ni votre personne, ni de tiers et qui ne provoque pas de dommages au produit lui-même ou à la propriété d'autrui.

- Gardez une bonne distance de sécurité tout autour de votre modèle, afin d'éviter les collisions ou les blessures. Ce modèle est contrôlé par un signal radio, qui peut être soumis à des interférences provenant de nombreuses sources hors de votre contrôle. Une interférence peut provoquer une perte momentanée de contrôle.
- Faites toujours fonctionner votre modèle dans une zone dégagée, à l'écart de voitures, du trafic et des personnes.
- Respectez toujours scrupuleusement les instructions et les mises en garde concernant ce produit et tous les équipements optionnels/complémentaires (chargeurs, batteries rechargeables, etc.) que vous utilisez.
- Tenez tous les produits chimiques, les petites pièces et les composants électroniques hors de portée des enfants.
- Évitez toujours d'exposer à l'eau tout équipement non spécifiquement conçu et protégé à cet effet. L'humidité endommage les composants électroniques.
- Ne léchez et ne mettez jamais en bouche quelque partie de votre modèle que ce soit - risque de blessures graves voire danger de mort.
- Ne faites jamais fonctionner votre modèle lorsque les batteries de l'émetteur sont faibles.
- Gardez toujours le modèle à vue et gardez-en toujours le contrôle.
- Utilisez toujours des batteries complètement chargées.
- Gardez toujours l'émetteur sous tension lorsque le modèle est en marche.
- Enlevez toujours les batteries avant le démontage.
- Veillez toujours à ce que les pièces en mouvement soient propres.
- Veillez toujours à ce que toutes les pièces soient sèches.
- Laissez toujours le temps aux pièces de refroidir avant de les toucher.
- Enlevez toujours les batteries après utilisation.
- Assurez-vous toujours que la sécurité (failsafe) est configurée correctement avant de voler.
- Ne faites jamais voler un modèle dont le câblage est endommagé.
- Ne touchez jamais des pièces en mouvement.



## Enregistrement

Enregistrez votre produit aujourd'hui pour faire partie de notre liste de diffusion et recevoir les dernières mises à jour concernant les produits, offres et informations sur Hobbyzone.



## Table des matières

Enregistrement.....	57
Guide d'exécution.....	57
Outils nécessaires.....	57
Composants de l'avion.....	58
Assemblage de l'avion.....	59
Émetteur Spektrum DXS.....	61
Installation de la batterie de vol et activation du variateur de vitesse électronique (ESC).....	62
Centre de gravité (CG).....	63
Test de direction des commandes.....	64
Avant votre premier vol.....	64
Choisir un terrain de vol.....	65
Test de portée.....	65
Commande de vol.....	66
Technologie SAFE (protection du domaine de vol avec assistance de capteurs).....	67
Liste de contrôles avant le décollage.....	69
Vol.....	69
Réglages de compensation de l'appareil.....	71
Après le vol.....	72
Affectation de l'émetteur et du récepteur.....	72
Entraînement au vol.....	73
Configuration facultative de l'émetteur.....	74
Flotteurs facultatifs (décollages et atterrissages sur l'eau).....	76
Entretien et réparations.....	77
Guide de dépannage - Technologie SAFE.....	78
Guide de dépannage.....	78
Pièces de rechange.....	79
Pièces recommandées.....	79
Pièces facultatives.....	79
Matériel.....	79
Glossaire des termes importants.....	80
Garantie limitée.....	80
Informations de contact.....	81
Information IC.....	81
Informations de conformité pour l'Union Européenne.....	81

Équipement inclus	
Émetteur	DXS 2,4 GHz Spektrum (SPMR1010)
Piles de l'émetteur	4 piles alcalines AA
Récepteur	Récepteur AS3X/SAFE 6 canaux AR631 Spektrum (SPMAR631)
Variateur ESC	ESC 3S/4S 30 A avec télémétrie (EFLA1030FB)
Moteur	14 pôles 2832-1300 Kv (SPMXAM1900)
Hélice	8,25 x 5,5 (EFLP82555)
Servos	(2) Ailerons, A381 9 g sub-micro (SPMSA381) (1) Gouverne de profondeur, A382 14 g sub-micro MG (SPMSA382) (1) Gouverne de direction/Roue avant, A382 14 g sub-micro MG (SPMSA382)

Matériel nécessaire	
Batterie de vol	Batterie LiPo 1300 mAh 11,1 V 3S avec connecteur IC3
Chargeur de batterie	Compatible batterie Li-Po 3S

Équipement recommandé	
SPMXPSA200	Smart G2 Air Powerstage 2

Accessoires en option	
HBZ3113	Fils de montage des flotteurs : MiniApprentice
HBZ7390	Ensemble flotteurs : Super Cub LP
SPMR6775	Émetteur uniquement 6 canaux NX6
RFL1205	Simulateur de vol RC RealFlight Trainer Edition
SPMWS2000	Clé électronique USB sans fil pour simulateur WS2000
SPMXPSA3	Ensemble 3S pour avion Powerstage Smart
SPMXC1070	Chargeur Smart c.a./c.c. S150, 1 x 50 W
SPMXBC100	Batterie SMART et testeur de servo

## Guide d'exécution

Scannez ce code QR pour accéder au Guide d'exécution et obtenir des informations sur l'ensemble batterie et chargeur Powerstage recommandé.

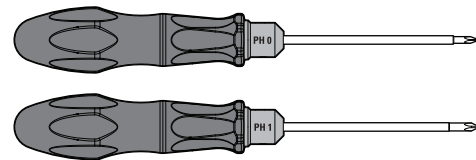


HBZ310001



HBZ315001

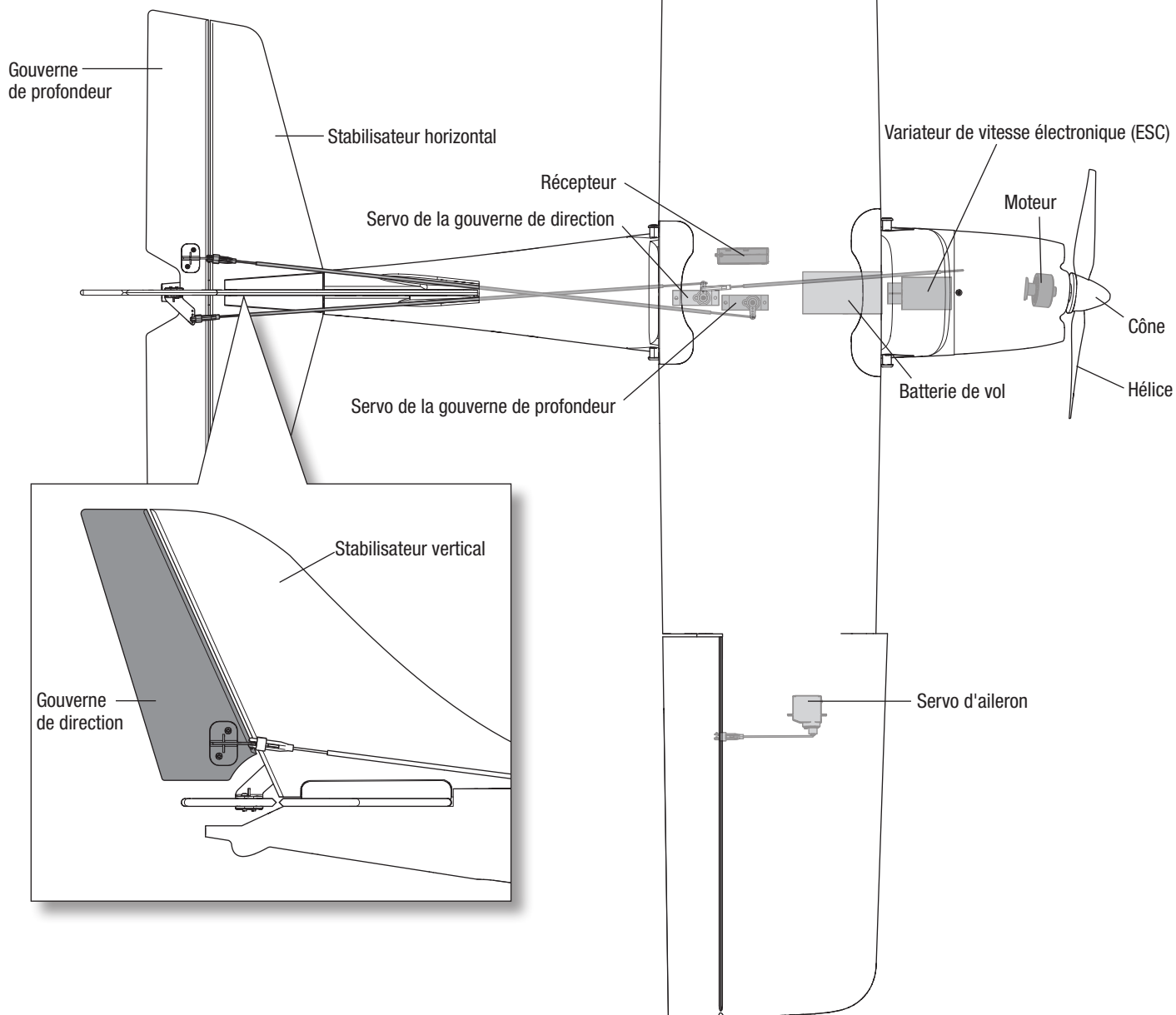
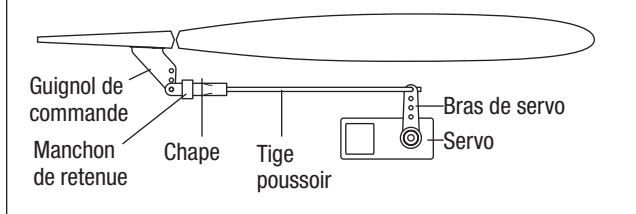
## Outils nécessaires



- Tournevis cruciformes (PH n° 0, PH n° 1)

# Composants de l'avion

## Composants de commande typiques



## Assemblage de l'avion

Nous vous recommandons de lire chaque partie de ce manuel avant de commencer l'assemblage en suivant les étapes indiquées. Nous vous recommandons également de regarder l'ensemble de la vidéo d'assemblage en scannant ce code QR ou en utilisant cette URL :



[www.horizonhobby.cc/ApprenticeS2assembly](http://www.horizonhobby.cc/ApprenticeS2assembly). Vidéo d'assemblage

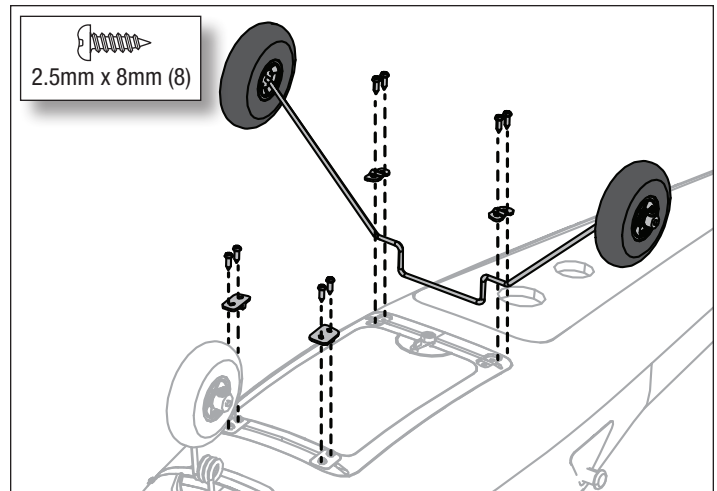
### Installation du train d'atterrissage

L'Apprentice S 2 1,2 m comporte des options de matériel pour l'installation des roues ainsi que les jambes à fil nécessaires pour l'installation des flotteurs facultatifs (les flotteurs ne sont pas inclus).

1. Placez l'ensemble train d'atterrissage principal dans l'encoche située dans la partie inférieure du fuselage.
2. Mettez en place les deux dispositifs de retenue du train d'atterrissage par-dessus l'ensemble train d'atterrissage comme illustré, en les fixant à l'aide de quatre vis cruciformes 2,5 mm x 8 mm et d'un tournevis PH n° 1.

**IMPORTANT** : ne serrez pas trop les vis dans le plastique. Serrez uniquement les vis jusqu'à ce que les dispositifs de retenue soient fermement positionnés et que le train d'atterrissage ne bouge plus.

3. Mettez en place les dispositifs de retenue de jambe de l'ensemble flotteurs facultatif, en les fixant à l'aide de quatre vis cruciformes 2,5 mm x 8 mm et d'un tournevis PH n° 1, pour éviter de perdre les dispositifs de retenue. Ces dispositifs de retenue sont indispensables pour l'installation des fils de montage de l'ensemble flotteurs facultatif.



### Installation de la queue

Nous vous recommandons de regarder le chapitre/la partie « Installation de la queue » de la vidéo d'assemblage en scannant ce code QR ou en utilisant cette URL : [www.horizonhobby.cc/ApprenticeS2assembly](http://www.horizonhobby.cc/ApprenticeS2assembly).

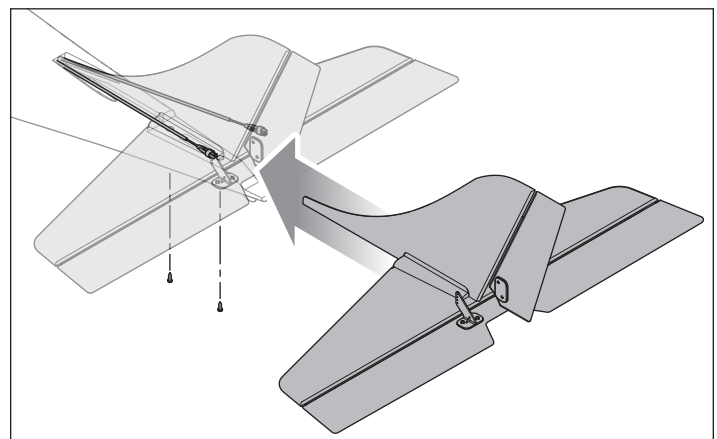
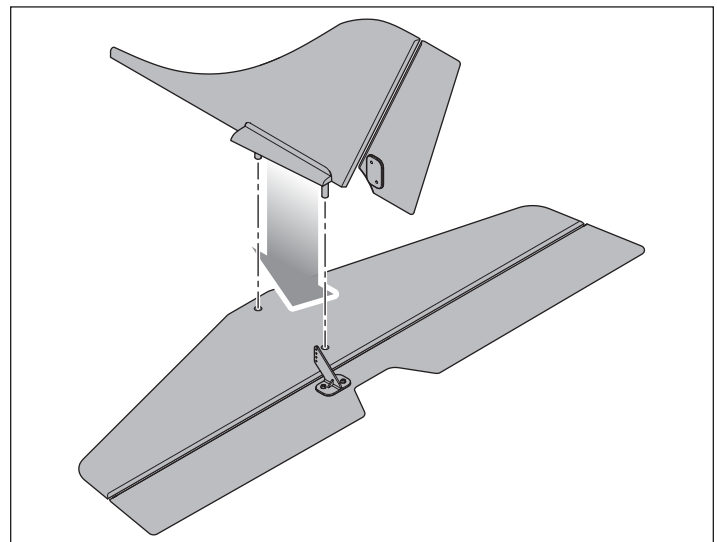
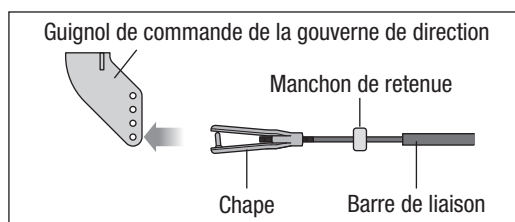


Vidéo d'assemblage

1. Insérez les deux tiges à la base du stabilisateur vertical dans les orifices situés sur le stabilisateur horizontal comme illustré.
2. Guidez l'ensemble queue en dessous et entre les tringleries de commande, puis insérez les tiges du stabilisateur vertical dans les orifices correspondants à l'arrière du fuselage.
3. Au niveau de la partie inférieure du fuselage, à l'aide d'un tournevis PH n° 1, mettez en place deux vis cruciformes 2,5 mm x 8 mm dans les orifices du fuselage et les tiges du stabilisateur vertical.

**IMPORTANT** : ne serrez pas trop les vis dans le plastique. Serrez uniquement les vis jusqu'à ce que les stabilisateurs vertical et horizontal soient fermement positionnés.

4. Fixez les chapes des guignols de commande de la gouverne de direction et la gouverne de profondeur en ouvrant doucement les bras de la chape, en insérant l'axe de la chape à travers l'orifice de la plus à l'extérieur du guignol de commande et en refermant le bras de la chape par-dessus l'axe de la chape, ce qui enferme le guignol de commande entre les bras de la chape.
5. Faites glisser le manchon de retenue par-dessus la chape pour éviter que les bras de la chape ne s'ouvrent.



## Installation de l'aile

Nous vous recommandons de regarder le chapitre/la partie « Installation de l'aile » de la vidéo d'assemblage en scannant ce code QR ou en utilisant cette URL : [www.horizonhobby.cc/ApprenticeS2assembly](http://www.horizonhobby.cc/ApprenticeS2assembly).



### Vidéo d'assemblage

L'aile de l'Apprentice S 2 1,2 m est fixée sur le fuselage à l'aide de quatre bandes en caoutchouc fournies. Cette méthode d'installation permet à l'aile de bouger ou de se séparer du fuselage en cas d'atterrissage brutal ou d'écrasement, afin de diminuer les dommages occasionnés sur la cellule. L'utilisation de plus de quatre bandes en caoutchouc n'est pas recommandée, car l'ajout de bandes supplémentaires peut entraîner une fixation trop étroite de l'aile sur le fuselage.

1. Connectez les connecteurs des servos d'aileron au faisceau en Y, marqué « ALL », dans le fuselage. Les servos droit et gauche peuvent être connectés à n'importe quel côté du faisceau en Y. Assurez-vous que le faisceau en Y est connecté au port 2 du récepteur. Le fonctionnement correct du système SAFE implique une connexion des deux ailerons au faisceau en Y inclus et au port 2 du récepteur.

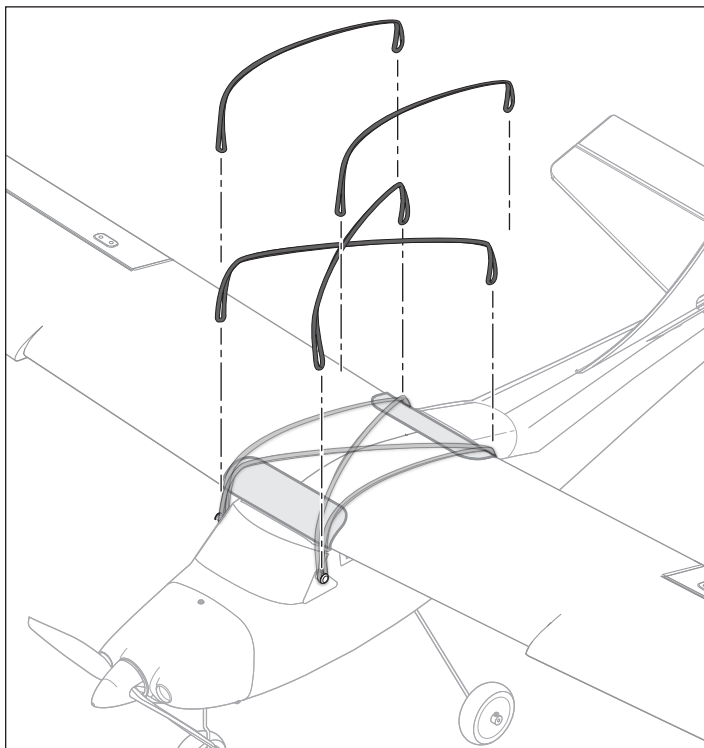
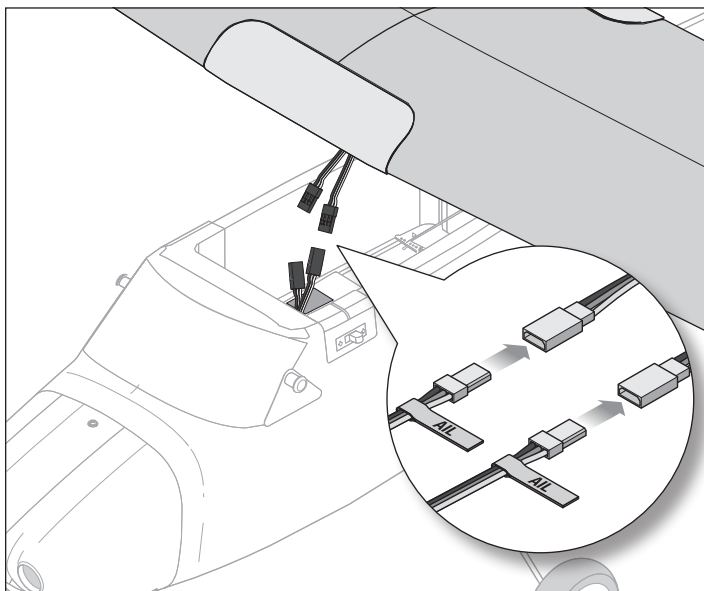
**IMPORTANT** : assurez-vous que les connecteurs des servos et le faisceau en Y sont connectés en respectant la polarité. Les connecteurs sont dotés d'un petit biseau au niveau de deux coins qui doit s'aligner avec le biseau correspondant sur les connecteurs du faisceau en Y. En outre, les couleurs des fils doivent correspondre entre les servos et le faisceau en Y.

2. Centrez l'aile sur le fuselage. La partie inférieure de l'aile doit être posée à plat contre la partie supérieure du support de l'aile sur le fuselage.

**IMPORTANT** : assurez-vous que les câbles des servos d'aileron ne sont pas pincés entre l'aile et le fuselage.

3. Fixez l'aile sur le fuselage en mettant en place quatre bandes en caoutchouc entre les tiges du fuselage avant et arrière et par-dessus la partie supérieure de l'aile.

**CONSEIL** : mettez en place chacune des deux premières bandes en diagonale, en partant de la tige avant pour aller vers la tige arrière sur le côté opposé du fuselage. Mettez en place les deux dernières bandes en partant de la tige avant pour aller directement vers la tige arrière sur le même côté du fuselage.



# Émetteur Spektrum DXS

## Installation des piles de l'émetteur

1. Retirez le couvercle du compartiment à piles.
2. Mettez en place les quatre piles AA incluses, en respectant la polarité.
3. Remettez le couvercle du compartiment à piles.

## Alarme de batterie faible

Lorsque la tension des piles de l'émetteur tombe en dessous de 4,7 volts, une alarme retentit et les DEL de tension clignotent. Remplacez les piles immédiatement. Si l'alarme retentit pendant un vol, faites atterrir l'appareil dès que possible.

**ATTENTION** : si vous utilisez des piles rechargeables, ne chargez que ce type de pile. Si vous chargez des batteries non rechargeables, celles-ci pourraient exploser et provoquer des dommages corporels et/ou matériels.

## Commutateurs et DEL de l'émetteur

**Bouton A = bouton d'entraînement/d'affectation/d'urgence** : ce bouton sert à contrôler les fonctions entraînement, affectation et rétablissement d'urgence.

Consultez la partie Entraînement au vol pour obtenir des informations sur l'utilisation de l'émetteur dans le cadre d'un système d'entraînement en binôme (« buddy box »).

Consultez la partie sur l'affectation pour obtenir des informations sur la réaffectation de votre émetteur et avion, si nécessaire. L'émetteur inclus a déjà été affecté au récepteur/à l'avion en usine, le processus d'affectation n'est donc généralement pas nécessaire.

Consultez la partie sur la technologie SAFE (protection du domaine de vol avec assistance de capteurs) pour obtenir des informations sur le mode de rétablissement d'urgence.

**Commutateur F = commutateur de petit/grand débattement** : ce commutateur offre les fonctions de petit et grand débattement sur les canaux des ailerons, de la gouverne de profondeur et de la gouverne de direction. Nous recommandons l'utilisation de petits débattements lorsque vous apprenez à piloter ou pour des manœuvres fluides et plus précises, et de grands débattements pour des manœuvres plus agressives et les acrobaties.

Dans la position supérieure, ou position « HI », la course du servo est de 100 % sur ces canaux.

Dans la position inférieure, ou position « LO », la course du servo diminue à 70 %.

**Commutateur B = commutateur du mode de vol** : ce commutateur sert à sélectionner le mode de vol SAFE. Consultez la partie sur la technologie SAFE (protection du domaine de vol avec assistance de capteurs) pour obtenir des informations sur les différents modes de vol SAFE.

**Commutateur H = commutateur de coupure des gaz** : ce commutateur active la coupure des gaz.

Lorsque la coupure des gaz est activée (commutateur H sur la position 1), l'entrée des gaz depuis la manette des gaz est désactivée. Cette fonctionnalité de sécurité évite qu'un mouvement accidentel de la manette des gaz n'active le moteur lorsque la batterie de vol est connectée.

Lorsque la coupure des gaz est désactivée (commutateur H sur la position 0), n'importe quelle position de la manette des gaz au-dessus du réglage le plus bas active le moteur de l'avion.

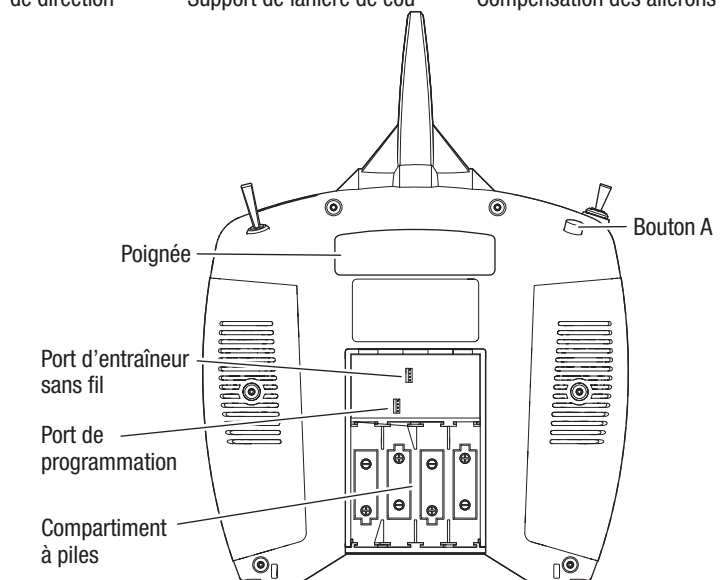
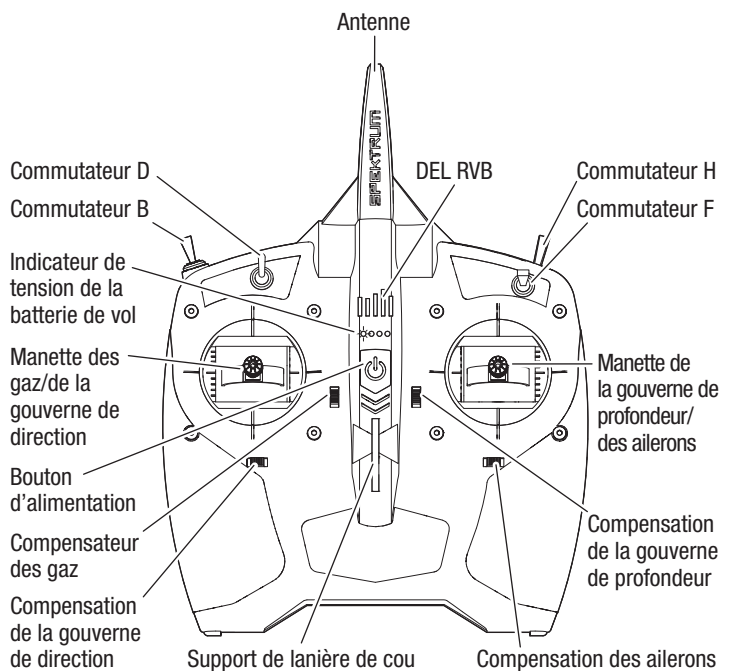
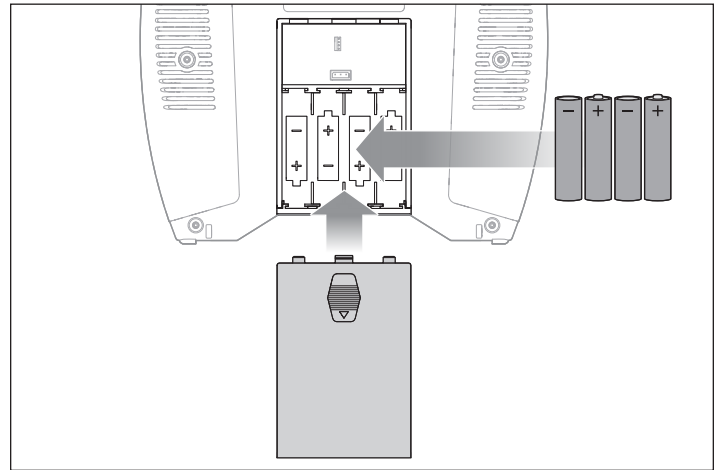
**REMARQUE** : assurez-vous toujours que la manette des gaz se trouve sur le réglage le plus bas avant de désactiver la fonction de coupure des gaz. Dans le cas contraire, le moteur sera activé.

**Commutateur D = commutateur du canal 7** : ce commutateur n'est pas utilisé pour cet avion.

## Indications sonores et de la DEL RVB :

**Clignotement avec des bips** : l'émetteur est en mode affectation, parce que le bouton d'affectation a été maintenu enfoncé lorsque l'émetteur a été allumé. Consultez la partie relative à l'affectation pour de plus amples informations.

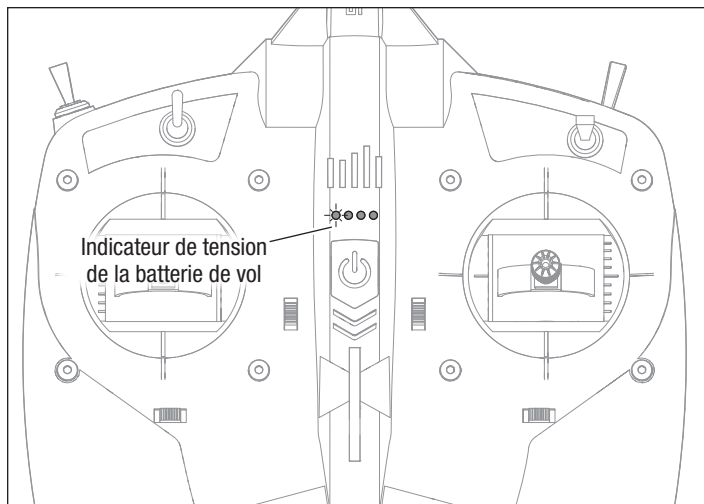
**Pulsations avec un bip grave toutes les 2 secondes** : la tension des piles de l'émetteur est passée en dessous de 4,7 V. Remplacez les piles de l'émetteur immédiatement. Si cela se produit pendant un vol, faites atterrir l'appareil dès que possible.



## Indicateur de tension de la batterie de vol

L'émetteur DXS inclus est équipé d'une fonction d'indication de la tension de la batterie de vol qui fonctionne avec les récepteurs, contrôleurs de vol et ESC téléométriques dotés de la technologie Smart compatibles. Cette fonctionnalité de la technologie Smart fournit une représentation visuelle de la tension/puissance de la batterie de vol approximative restante via quatre indicateurs DEL sur l'émetteur.

- Lorsque la batterie est entièrement chargée, les quatre DEL sont allumées en continu.
- Lorsque vous augmentez les gaz, la tension de la batterie chute et les DEL indiquent qu'il reste moins de tension et de capacité utilisable de la batterie via un nombre plus faible de DEL allumées en continu ou clignotantes.
- Lorsque vous diminuez les gaz, la charge sur la batterie diminue et la tension de la batterie augmente, ce qui est indiqué par un nombre plus important de DEL allumées en continu ou clignotantes. Au fil du temps, il reste moins de capacité utilisable de la batterie et moins de puissance est disponible, ce qui est indiqué par un nombre plus faible de DEL allumées en continu ou clignotantes.
- Lorsque la dernière DEL commence à clignoter, l'alarme de tension faible de la batterie de vol sur l'émetteur retentit avant que la fonction de coupure par tension faible s'active dans l'ESC de l'avion (consultez la section Vol pour avoir une description de la fonction de coupure par tension faible). L'alarme de tension faible de la batterie de vol retentit pendant 25 secondes. Si vous diminuez les gaz et que la tension de la batterie de vol se rétablit car il reste suffisamment de capacité utilisable dans la batterie de vol, l'alarme s'arrête avant les 25 secondes. Dans tous les cas, faites atterrir l'avion dès que vous le pouvez après avoir entendu l'alarme.



Pour réinitialiser l'avertissement de tension faible de la batterie de vol :

1. Après l'atterrissage, déconnectez la batterie de vol de l'avion pendant au moins 15 secondes, ou jusqu'à ce que les DEL d'indication de la tension de la batterie de vol sur l'émetteur DXS s'éteignent.
2. Connectez une batterie entièrement chargée à l'avion. L'indicateur de tension de la batterie de vol se réinitialise avant le vol suivant.

## Installation de la batterie de vol et activation du variateur de vitesse électronique (ESC)

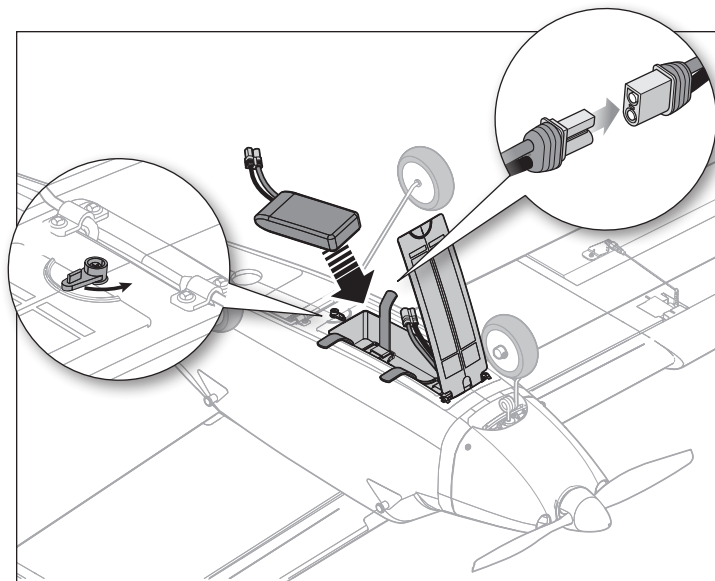


**ATTENTION** : n'approchez jamais les mains de l'hélice. Lorsqu'il est armé, le moteur fait tourner l'hélice en réponse à tout mouvement des gaz.

1. Abaissez la manette des gaz de l'émetteur et activez la coupure des gaz (commutateur H en position 1). Lorsque la coupure des gaz est activée, l'entrée des gaz depuis la manette des gaz est désactivée. Cette fonctionnalité de sécurité évite qu'un mouvement accidentel de la manette des gaz n'active le moteur lorsque la batterie de vol est connectée.

**IMPORTANT** : si vous branchez la batterie alors que les gaz ne sont pas dans la position la plus basse, le variateur ESC ne s'active pas. Réduisez les gaz sur le réglage le plus bas pour que l'ESC puisse s'activer.

2. Allumez l'émetteur, puis attendez au moins 5 secondes avant de poursuivre.
3. Posez l'appareil sur une surface plane avec le train d'atterrissage orienté vers le haut.
4. Tournez le loquet du compartiment de la batterie et enlevez le loquet de la batterie.
5. Fixez la batterie de vol dans le compartiment de la batterie à l'aide des fermetures autoagrippantes de façon à équilibrer l'appareil au niveau du bon centre de gravité (CG). Consultez la partie Centre de gravité pour obtenir des informations sur la mesure du CG.
6. Connectez la batterie de vol au connecteur de l'ESC en respectant bien la polarité.
7. Remettez en place le loquet de la batterie, en le verrouillant en place avec le loquet du compartiment de la batterie.
8. Mettez l'appareil droit sur son train d'atterrissage. Conservez l'appareil immobile pendant l'initialisation du système SAFE.
9. Après l'initialisation du système SAFE, les gouvernes se déplacent d'avant en arrière, puis reviennent en position neutre pour indiquer que le système SAFE s'est initialisé et est prêt à fonctionner.



**IMPORTANT** : si l'avion est déplacé et ne termine pas son initialisation dans un délai de 30 secondes environ, déconnectez et reconnectez la batterie de vol pour réinitialiser le système.

**IMPORTANT** : la technologie AS3X en mode expérimenté n'est pas activée tant que vous n'avancez pas la manette des gaz au-delà des 25 %. Une fois SAFE activée, les gouvernes peuvent se déplacer sur l'appareil. Il s'agit d'un comportement normal. La technologie AS3X restera active jusqu'à ce que le variateur ESC soit déconnecté.



**ATTENTION** : débranchez toujours la batterie de vol Li-Po du récepteur de l'appareil lorsqu'il n'est pas en vol pour éviter toute décharge excessive.

## Centre de gravité (CG)

Un appareil avec un CG correct est équilibré au niveau d'un point calculé pour un vol stable et en toute sécurité. Lors d'un vol en mode débutant avec un appareil correctement équilibré, l'avion doit s'élever progressivement à pleine puissance et voler en palier à 50 % - 60 % de la puissance sans entrée de gouverne de profondeur ajoutée.

Si le CG est trop vers l'avant (le nez lourd), il est nécessaire de lever la gouverne de profondeur pour faire voler en palier à 50 % - 60 % de puissance.

Si le CG de l'appareil est trop vers l'arrière (la queue est lourde), il est nécessaire de baisser la gouverne de profondeur pour voler en palier.

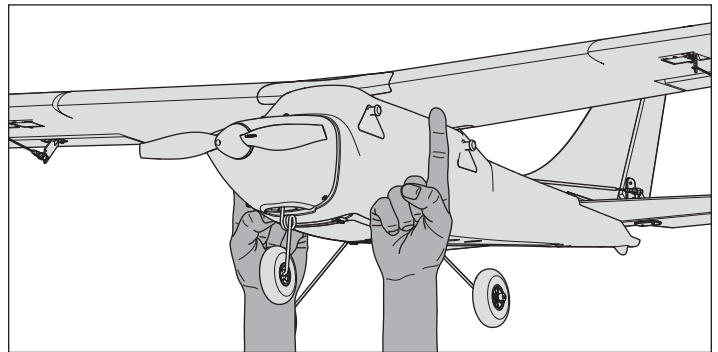
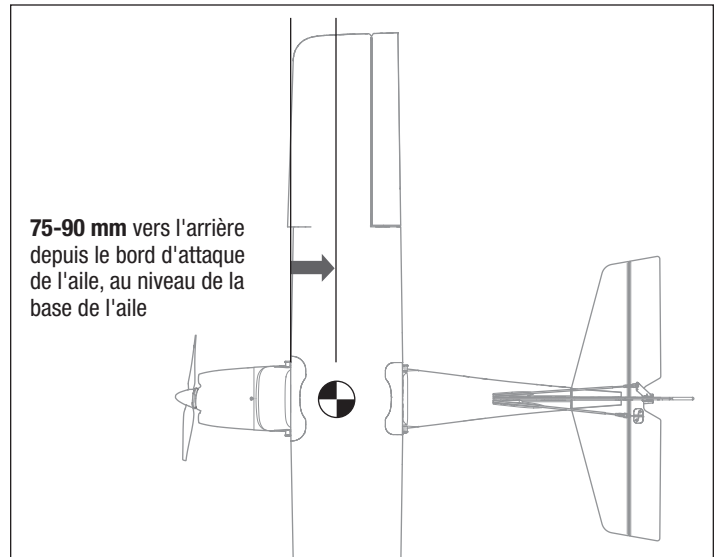
Après l'installation de la batterie (dans la position recommandée) et avant d'allumer l'ESC, vérifiez le CG en soutenant l'avion droit sur le bout de vos doigts 75-90 mm à l'arrière du bord avant de l'aile, au niveau de la base de l'aile.

- Si le nez s'incline vers le bas, déplacez la batterie de vol vers l'arrière jusqu'à ce que l'appareil s'équilibre.
- Si le nez s'incline vers le haut, déplacez la batterie de vol vers l'avant jusqu'à ce que l'appareil s'équilibre.

Scannez le code QR pour regarder la vidéo d'assemblage et la bonne méthode d'équilibrage de l'appareil.



Vidéo d'assemblage



## Test de direction des commandes

**AVERTISSEMENT** : ne réalisez pas ce test de l'équipement ni aucun autre test sans avoir activé l'arrêt du moteur. Un démarrage par inadvertance du moteur peut entraîner des blessures graves ou des dégâts matériels.

Si les gouvernes ne répondent pas comme indiqué, **NE FAITES PAS VOLER L'AVION**. Consultez le *Guide de dépannage* pour obtenir de plus amples informations. Si vous avez besoin de plus d'assistance, veuillez contacter le service après-vente Horizon Hobby approprié.

1. Allumez l'émetteur.
2. Activez la coupure des gaz (commutateur H sur la position 1).
3. Placez le commutateur de mode de vol sur le mode Expérimenté (commutateur B sur la position 2).

**IMPORTANT** : ne vérifiez PAS les commandes en modes débutant ou intermédiaire (commutateur B sur la position 0 ou 1).

4. Placez l'appareil sur une surface plane loin de tout obstacle.
5. Allumez l'appareil et laissez-le s'initialiser complètement.
6. Bougez les manettes sur l'émetteur tel que décrit dans le tableau et observez les gouvernes sur l'appareil. Assurez-vous que les gouvernes de l'avion répondent comme indiqué et reviennent en position neutre lorsque l'entrée de commande est relâchée.
7. Vérifiez que les gouvernes ne subissent aucune contrainte.
8. Faites rouler l'appareil vers l'avant à la main sur une surface lisse. Poussez le bouton de compensation de la gouverne de direction sur l'émetteur vers la gauche ou la droite jusqu'à ce que l'appareil aille droit.

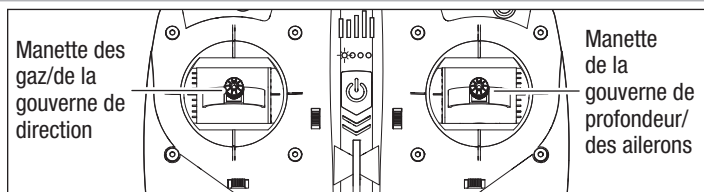
**CONSEIL** : L'émetteur produit un bip sonore tenu chaque fois que les boutons de réglage de la compensation sont poussés dans l'une des directions. Maintenir le bouton dans une des directions ajuste rapidement la compensation de plusieurs crans jusqu'à ce que le bouton soit relâché ou que le réglage de compensation atteigne la fin de sa course. Lorsque le bouton de réglage de la compensation n'émet pas de bip quand il est poussé, la compensation est à la toute fin de sa course. Lorsque la compensation est au centre, cela est indiqué par un bip sonore légèrement plus fort.

### Centrage des gouvernes

Une fois que vous avez vérifié le bon mouvement des gouvernes, relâchez les manettes de l'émetteur. Vérifiez que chacune des gouvernes est bien centrée.

Si une gouverne n'est pas centrée :

1. Faites glisser le manchon de retenue hors de la manille.
2. Ouvrez doucement la manille.
3. Faites glisser l'axe de la manille hors du guignol de commande.
4. Tournez la manille sur la barre de liaison pour rallonger ou raccourcir la longueur de la barre de liaison afin d'ajuster la position centrale de la gouverne.
5. Lorsque vous avez obtenu la bonne position, remettez l'axe de la manille dans le bon orifice du guignol de commande.
6. Fermez la manille, en enfermant le guignol de commande entre ses bras.
7. Faites glisser le manchon de retenue par-dessus la manille pour éviter qu'elle ne s'ouvre.

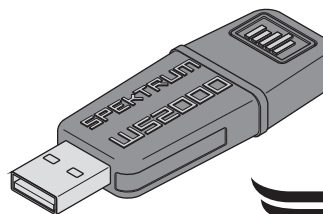


	Commande de l'émetteur	Réponse de la gouverne (vue depuis l'arrière)
Gouverne de profondeur		
Ailerons		
Gouverne de direction		

## Avant votre premier vol

Avant d'essayer de faire voler cet appareil pour la première fois, nous vous recommandons vivement d'utiliser le simulateur de vol RC RealFlight Trainer Edition (RFL1205, vendu séparément) et une clé électronique sans fil pour simulateur WS2000 Spektrum (SPMWS2000, vendue séparément) avec l'émetteur DXS fourni avec la version RTF Basic pour pouvoir apprendre et vous entraîner à maîtriser les bases du vol. Grâce à des leçons d'un instructeur de vol virtuel intégrées et la possibilité d'essayer six appareils d'entraînement populaires de Horizon Hobby les nouveaux pilotes peuvent réussir à apprendre à piloter en s'entraînant sur un ordinateur à la maison ou sur un ordinateur portable à peu près n'importe où ! Nous vous encourageons également à entrer en relation avec des pilotes d'appareils RC expérimentés dans votre région par le biais de magasins spécialisés ou sur les terrains de vol désignés. Et pour ceux qui habitent aux États-Unis, nous vous recommandons d'adhérer à une organisation nationale comme l'Academy of Model Aeronautics (AMA). L'AMA peut donner des informations sur les clubs locaux, les instructeurs et les sites de vol établis dans votre région tout en fournissant une assurance. Rendez-vous sur [www.modelaircraft.org](http://www.modelaircraft.org) pour plus d'informations.

**RF** TRAINER EDITION  
REALFLIGHT



RealFlight  
Trainer Edition





## Choisir un terrain de vol

### Consultez les lois et ordonnances locales avant de choisir un espace de vol.

Pour réussir au mieux et protéger vos biens ainsi que l'appareil, il est important de choisir un espace de vol très ouvert. Nous vous recommandons de demander à votre magasin spécialisé local des informations sur les clubs et terrains de vol locaux. Pour les clients qui se situent aux États-Unis, consultez le site de l'Academy of Model Aeronautics sur [www.modelaircraft.org](http://www.modelaircraft.org) pour plus d'informations sur les clubs d'aéromodélisme.

Souvenez-vous que cet appareil peut atteindre des vitesses importantes lorsqu'il vole et va couvrir très rapidement de grandes distances. Prévoyez de voler dans une zone qui vous donne plus d'espace que ce qu'il vous semble nécessaire, surtout pour les premiers vols.

## Test de portée



**AVERTISSEMENT** : lorsque vous tenez l'appareil pendant le test de portée, gardez toujours toutes les parties du corps et tout objet à l'écart du moteur. Le non-respect de cette instruction peut causer des dommages corporels.

Avant chaque session de vol, et notamment avec un nouveau modèle, vous devez vérifier la portée.

L'émetteur DXS Spektrum inclus intègre un mode de vérification de la portée qui réduit la puissance de sortie de l'émetteur afin que vous n'ayez pas besoin d'être très loin du récepteur pour vérifier la portée. Suivez les consignes ci-dessous pour entrer en mode de vérification de la portée sur l'émetteur DXS :

1. Avec la manette des gaz placée sur le réglage le plus bas, allumez l'émetteur pendant au moins 5 secondes.
2. Avec l'aide d'un assistant qui tient l'avion, connectez la batterie de l'avion au connecteur de l'ESC. Gardez l'appareil immobile pendant 5 secondes.
3. Mettez-vous face au modèle, en tenant l'émetteur dans votre position de pilotage normale.
4. Maintenez enfoncé le bouton d'affectation (bouton A) et basculez le commutateur de débattement HI/LO (commutateur F) deux fois vers le haut et le bas. La DEL RVB de l'émetteur clignote et une alarme retentit pour indiquer que le système est en mode de vérification de la portée. Ne relâchez pas le bouton d'affectation tant que la vérification de la portée n'est pas terminée.

**IMPORTANT** : vous devez maintenir enfoncé le bouton d'affectation pendant toute la durée du processus de vérification de la portée. Relâcher le bouton permet de quitter le mode de vérification de la portée.

5. Avec le modèle fermement maintenu au sol, tenez-vous à environ une trentaine de pas du modèle.

**CONSEIL** : pour certains appareils, lorsque le modèle est placé sur le sol, la ou les antenne(s) peu(ven)t se trouver à quelques centimètres du sol. L'efficacité de la vérification de la portée peut être réduite si la ou les antenne(s) est(ont) proche(s) du sol. Si vous rencontrez des difficultés pendant la vérification de la portée, immobilisez l'appareil sur une table ou un support non-conducteur jusqu'à 60 cm (2 pi) au-dessus du sol, puis vérifiez à nouveau la portée du système.

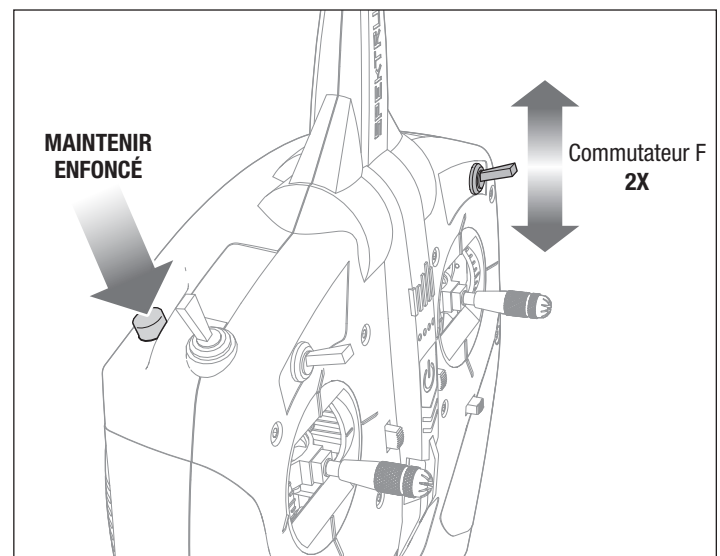
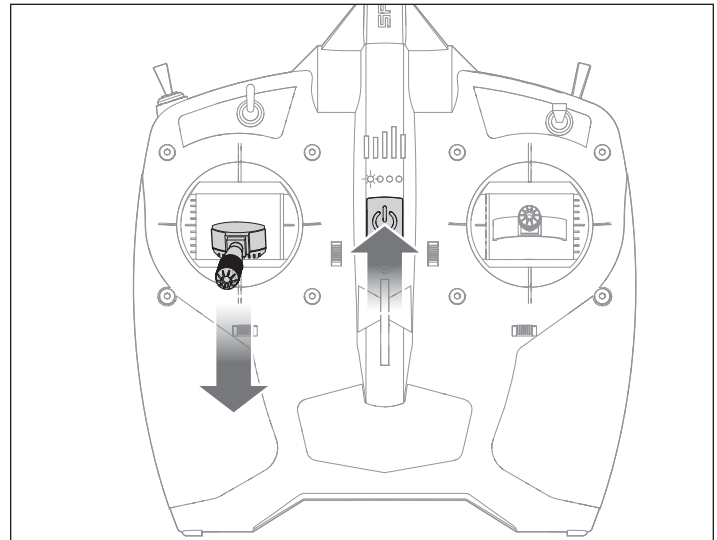
6. Bougez les commandes de la gouverne de direction, de la gouverne de profondeur, des ailerons et des gaz sur l'émetteur afin de vérifier qu'ils fonctionnent correctement à environ 30 pas. S'il y a des problèmes de commande, n'essayez pas de piloter. Référez-vous aux informations sur la garantie et au tableau contenant les coordonnées des services à la fin de ce manuel pour contacter le service après-vente de Horizon Hobby.
7. Lorsque la vérification de la portée s'est achevée avec succès, relâchez le bouton d'affectation pour quitter le mode de vérification de la portée.



**ATTENTION** : en raison de la puissance de sortie réduite de l'émetteur, n'essayez JAMAIS de piloter pendant que l'émetteur est en mode de vérification de la portée. Cela provoquerait une perte de contrôle.

### Le site de vol sélectionné doit :

- Comprendre un espace libre d'environ 400 m (1300 pi) dans toutes les directions.
- Être dégagé de tout arbre, bâtiment, voiture, ligne électrique ou de toute chose avec laquelle l'appareil pourrait s'emmêler ou qui pourrait interférer avec votre champ de vision.
- Être dégagé de toute personne et de tout animal.



## Commande de vol

**IMPORTANT** : même si la technologie SAFE est un outil très utile, l'appareil doit tout de même être piloté manuellement. Si une entrée incorrecte est donnée à une altitude ou une vitesse basse, l'appareil peut chuter. Étudiez ces entrées de commande et la réponse de l'appareil pour chacune d'entre elles avant d'essayer de piloter pour la première fois. Pour les premiers vols, placez le commutateur de mode de vol SAFE sur le mode Débutant (commutateur B sur la position 0). Pour contrôler votre appareil en douceur, faites toujours des petites rectifications. Toutes les directions sont décrites comme si vous étiez assis dans l'appareil.

### Gaz, plus rapide ou lent

- Poussez la manette des gaz vers l'avant pour faire accélérer et monter l'appareil.
- Tirez la manette des gaz vers l'arrière pour ralentir et descendre.

### Gouverne de profondeur, vers le haut et le bas

- Tirez la manette de la gouverne de profondeur vers l'arrière pour relever le nez de l'appareil.
- Poussez la manette de la gouverne de profondeur vers l'avant pour faire descendre le nez de l'appareil.

### Ailerons, vers la droite et la gauche

- Déplacez la manette des ailerons vers la droite pour faire un mouvement de roulis ou incliner l'appareil vers la droite.
- Déplacez la manette des ailerons vers la gauche pour faire un mouvement de roulis ou incliner l'appareil vers la gauche.

**CONSEIL** : imaginez-vous toujours dans l'appareil pour déterminer de quel côté faire incliner les ailes de l'appareil.

- Si l'appareil vole en s'éloignant de vous, l'incliner vers la droite ou la gauche semble normal.
- Lorsqu'il vole en se rapprochant de vous, l'appareil semble s'incliner dans la direction opposée de l'entrée de commande donnée. Cela deviendra instinctif avec l'expérience.



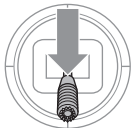

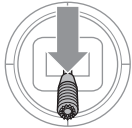


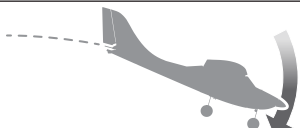
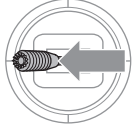

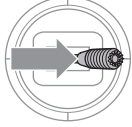

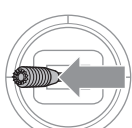

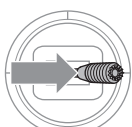

**CONSEIL** : lorsque l'appareil vole vers vous, si l'une des ailes s'abaisse, déplacez la manette des ailerons en direction de l'aile située en bas pour remettre l'appareil à l'horizontale.

### Gouverne de direction, vers la droite et la gauche

- Poussez la manette de la gouverne de direction vers la droite pour que le nez de l'avion fasse un mouvement de lacet vers la droite.
- Poussez la manette de la gouverne de direction vers la gauche pour que le nez de l'avion fasse un mouvement de lacet vers la gauche.

La manette de la gouverne de direction est également utilisée pour diriger l'appareil vers la droite et vers la gauche lorsqu'il roule sur le sol.

**CONSEIL** : comme dans le cas du contrôle des ailerons, imaginez que vous êtes dans l'appareil pour déterminer dans quelle direction pointer le nez en fonction de la trajectoire de l'appareil (si l'appareil s'éloigne de vous ou se rapproche).

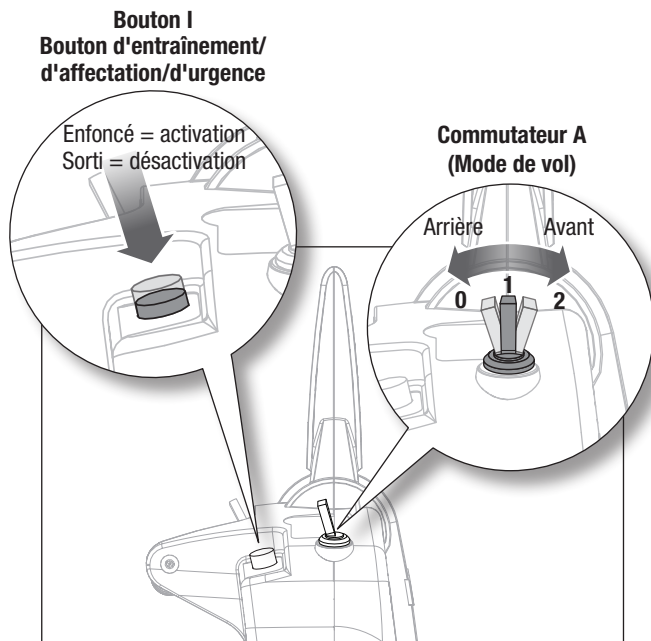
	Commande de l'émetteur	Réponse de l'appareil
Gaz		
		
Profondeur		
		
Ailerons		
		
Dérive		
		

## Technologie SAFE (protection du domaine de vol avec assistance de capteurs)

Vous contrôlez l'aide apportée par la technologie SAFE® pendant votre apprentissage du pilotage. Au fur et à mesure de vos progrès en pilotage, vous pouvez diminuer l'assistance offerte par la technologie SAFE. Modifiez la réponse de l'appareil à tout moment en déplaçant le commutateur du canal 5 (mode de vol SAFE) sur votre émetteur.

**IMPORTANT** : ces consignes sont données pour l'émetteur DXS inclus (ou les émetteurs similaires) avec un commutateur à 3 positions pour le canal 5. Si vous pilotez cet avion avec un émetteur Spektrum autre que le DXS inclus, veuillez vous référer à Configuration du récepteur et Configuration de l'émetteur facultative.

Modes de vol SAFE	Position du commutateur A (Commutateur du mode de vol)
Mode débutant	Position 0
Mode intermédiaire	Position 1
Mode expérimenté	Position 2



### Mode rétablissement d'urgence

Si vous rencontrez un problème dans n'importe quel mode de vol, maintenez enfoncé le bouton d'urgence/d'entraînement et mettez les manettes de commande en position neutre. La technologie SAFE ramènera l'appareil dans une attitude stable, si l'appareil est à une altitude suffisante et qu'aucun obstacle n'est sur son chemin. Relâchez le bouton d'urgence pour désactiver le mode d'urgence et revenir au mode de vol SAFE actuel. Si vous avez des difficultés et que vous avez besoin de revenir en mode débutant pour un maximum de stabilité, souvenez-vous de déplacer entièrement vers l'arrière le commutateur du canal 5.

### Activation de la technologie SAFE

La technologie SAFE reste inactive tant que vous n'avancez pas les gaz au-delà de 25 %. Une fois la technologie SAFE activée, les gouvernes peuvent bouger sur l'appareil. Il s'agit d'un comportement normal. La technologie SAFE restera active jusqu'à ce que le variateur ESC soit désactivé.

### Concept d'oscillation

Dans certaines conditions de vol, vous pouvez observer une oscillation. Si une oscillation se produit, diminuez la vitesse. Si l'oscillation persiste, consultez le guide de dépannage pour de plus amples informations.

**ATTENTION** : le vol vers l'avant en palier pleins gaz avec des conditions de vent calme dans n'importe quel mode ou les longs piqués à vitesse élevée peuvent entraîner une forte oscillation qui risque d'endommager l'appareil.

En cas d'oscillation, quel que soit le mode, réduisez immédiatement les gaz. Si l'oscillation persiste, consultez le guide de dépannage.

**ATTENTION** : les modes débutant, intermédiaire et d'urgence sont conçus pour un environnement d'entraînement. Des manœuvres continues à G élevé (comme des boucles) en mode expérimenté pendant une longue période peuvent entraîner un domaine de vol erratique et l'utilisation du mode d'urgence. Si cela se produit, faites atterrir l'appareil en mode expérimenté et éteignez puis rallumez le récepteur avant de redécoller.

### Aide au décollage et à l'atterrissage

Les décollages et atterrissages peuvent être gérés plus facilement en utilisant le mode débutant. Si l'avion ne décolle pas correctement ou atterrit en étant mal positionné, maintenez enfoncé le commutateur d'urgence. L'appareil peut se corriger et peut-être éviter un écrasement.

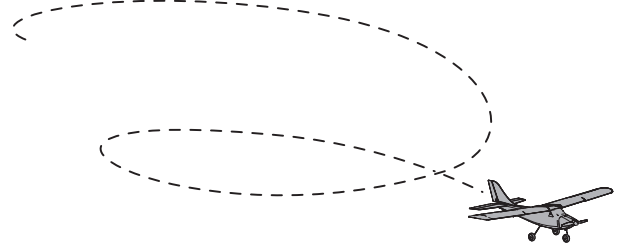
Consultez les parties Décollage et Atterrissage de ce manuel.

**IMPORTANT** : une piste plate est nécessaire pour les décollages en mode débutant en raison de l'aide à la montée avec les gaz.



### Sécurité intégrée

En cas de perte peu probable de la connexion radio, la sécurité intégrée met l'avion sur une trajectoire de cercles descendants jusqu'au sol, ou jusqu'au rétablissement de la connexion radio.



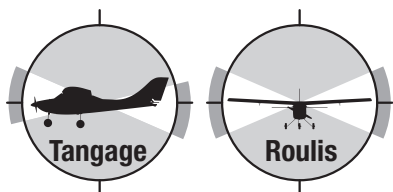
### La technologie SAFE permet à cet avion d'être un meilleur outil d'entraînement, mais vous devez vous préparer pour réussir à le piloter :

- La technologie SAFE est conçue comme une aide au pilotage, pas comme un pilotage automatique. Le pilote garde toujours le contrôle et est nécessaire en permanence pour faire voler l'avion
- Suivez les consignes fournies dans ce manuel pour conserver votre appareil dans des conditions de vol optimales
- Recherchez des cours qualifiés de pilotage de modèle réduit dans votre club d'aéromodélisme local. Un instructeur de vol qualifié peut vous aider à faire beaucoup de progrès dans ce domaine
- Le vent et l'environnement peuvent influencer les performances de vol de la technologie SAFE
- Assurez-vous de ne pas être distrait afin de pouvoir profiter de chaque instant de ce temps de vol
- Vous devez toujours éloigner l'appareil des obstacles et le conserver à une altitude permettant un rétablissement en toute sécurité

La technologie SAFE est un système d'entraînement au vol révolutionnaire conçu pour vous fournir une plateforme stable permettant le développement en toute sécurité de vos compétences de pilotage. Ce n'est pas un pilotage automatique ou un robot autonome. Les capteurs et le logiciel de ce système vous aident à piloter l'appareil jusqu'à l'endroit que vous souhaitez atteindre tout en diminuant le risque d'écrasement dû à une perte de contrôle. Vous pouvez évoluer en passant par les modes de vol débutant, intermédiaire et expérimenté au fur et à mesure de la progression de vos compétences, le tout en ayant l'assurance de pouvoir avoir recours au mode de rétablissement d'urgence facultatif. À tout moment lors du vol, vous pouvez basculer entre les trois modes de vol ou utiliser le mode de rétablissement d'urgence pour que votre appareil reprenne une attitude de vol sûre.

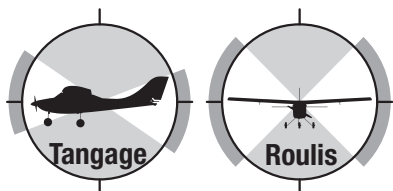
## Modes de vol SAFE

### Mode débutant



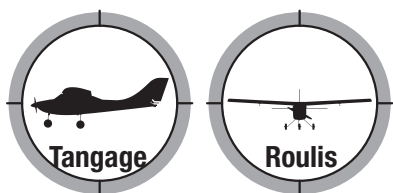
- Limite du domaine de vol : les angles de tangage (le nez monte et descend) et de roulis (les extrémités des ailes montent et descendent) sont limités pour vous permettre de maintenir l'appareil dans les airs
- Stabilisation automatique : lorsque les contrôles du tangage et du roulis sont en position neutre, l'appareil retrouve un vol stable
- Décollage et atterrissage assistés par stabilité
- Montée et descente selon les gaz

### Mode intermédiaire



- Expérience de vol naturelle : les contrôles du tangage et du roulis sont accrus. La stabilisation automatique n'est pas activée.
- Grand domaine de vol : la technologie empêche uniquement le pilote d'adopter des attitudes de vol extrêmes.

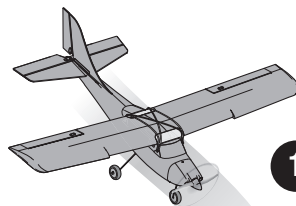
### Mode expérimenté



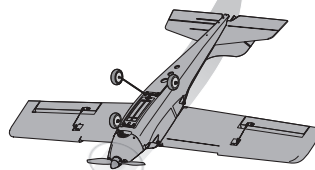
- Expérience de vol naturelle : le pilote bénéficie d'un vol AS3X naturel avec une manœuvrabilité souple et une précision incroyable
- Domaine de vol sans limite : aucune limite des angles de tangage et de roulis (limites de la cellule)

## Rétablissement d'urgence

- Rétablissement immédiat d'une attitude de vol sûre
- Remettez toutes les manettes de commande de l'émetteur sur une position neutre pour un rétablissement plus rapide
- Ce mode est conçu pour offrir au pilote la confiance nécessaire pour continuer à améliorer ses compétences de pilotage



**1** Le pilote perd le contrôle de l'appareil avec n'importe quel mode de vol.



**2** Le pilote maintient enfoncé le bouton de rétablissement d'urgence et remet toutes les autres commandes en position neutre. L'appareil remet les ailes à l'horizontale et sort d'un piqué...



**3** ...une fois que l'appareil vole droit et à l'horizontale, le pilote relâche le bouton de rétablissement d'urgence et poursuit une ascension progressive jusqu'à une altitude sûre.

**IMPORTANT** : l'appareil reprend une attitude plus sûre, même si les manettes sont tenues. Une certaine entrée de commande est toujours utilisée quand le rétablissement d'urgence est activé.

## Technologie AS3X®

Horizon Hobby a toujours fabriqué des appareils de sport RC à l'échelle uniques avec des performances appréciées par les experts. À présent, le système AS3X (stabilité artificielle 3 axes) exclusif permet de faire un bond dans les attentes en matière de performances des avions. Basé sur l'utilisation réussie de la technologie de capteur MEMS dans le cadre du système de stabilisation AS3X essentiel aux hélicoptères sans barre de Bell ultra micro Blade®, le système AS3X spécifiquement adapté aux avions aide à corriger de manière invisible les turbulences, le couple et le décrochage d'extrémité quand ils surviennent. En outre, cette souplesse de contrôle remarquable donne une sensation de maintien ultra fluide avec un appareil qui répond à toutes vos commandes et des performances naturelles. C'est tellement gratifiant que vous avez l'impression de piloter un avion RC de grande envergure réglé de manière experte. AS3X va changer la manière dont vous souhaitez piloter dans le présent et le futur.

## Liste de contrôles avant le décollage

Trouvez une zone de vol ouverte et sécurisée.
Chargez la batterie de vol.
Installez une batterie de vol entièrement chargée dans l'avion.
Assurez-vous que toutes les tringleries bougent librement.
Vérifiez le centre de gravité (CG).

Réalisez le test de direction des commandes.
Effectuez un test de portée du système radio.
Prévoyez votre vol selon les conditions du terrain de vol.
Réglez un temps de vol de 6 à 8 minutes
Éclatez-vous !

## Vol

Cet appareil est relativement facile à piloter. Il permet d'appliquer les compétences de vol d'un débutant. Cependant, nous vous recommandons d'obtenir l'aide d'un instructeur de vol qualifié pour vos premiers vols à commandes radio. Certains clubs d'aéromodélisme proposent une formation sur leurs terrains de vol. Trouvez un club d'aéromodélisme près de chez vous en vous renseignant dans votre magasin spécialisé local. Aux États-Unis, vous trouverez de plus amples informations sur les clubs et les cours d'aéromodélisme sur le site de l'Academy of Model Aeronautics : [www.modelaircraft.org](http://www.modelaircraft.org).

### Conseils pour réussir

- Commencez en mode débutant. À mesure que vous apprenez et devenez plus confiant(e), changez de mode pour progresser.
- Résistez à l'envie de voler pleins gaz. Commencer par un vol à faible vitesse permet d'avoir plus de temps pour réagir en cas de problème.
- Conservez toujours votre appareil bien en vue et contre le vent par rapport à vous.
- Accumulez de l'expérience en dessinant d'abord des cercles larges loin au-dessus du sol. Lorsque vous êtes à l'aise, passez progressivement à des manœuvres plus perfectionnées.

### Conditions météorologiques

Une bonne journée de vol est calme, avec des vents inférieurs à 8-11 km/h. Un vol avec des vents plus forts que ces derniers peut rendre le vol difficile et entraîner un écrasement.

Le vent près du sol peut être plus faible que le vent en hauteur, là où votre appareil vole.

### Décollage

#### Décollage au sol

Il est recommandé pour les premiers vols de décoller du sol en mode débutant. Cependant, si le sol n'est pas dur et plat, demandez de l'aide pour faire décoller votre appareil à la main.

1. Placez l'appareil sur son train d'atterrissage dans un grand espace ouvert recouvert d'asphalte ou de béton lisse. Le nez de l'appareil doit être face au vent (vent qui ne doit pas être supérieur à 8-11 km/h).
2. Mettez-vous derrière votre appareil pour que vous puissiez voir la gouverne de direction, les ailerons et la gouverne de profondeur.
3. Déplacez lentement la manette des gaz sur pleins gaz (100 %) tout en tirant doucement la manette de la gouverne de profondeur vers l'arrière. Utilisez la gouverne de direction pour garder le nez de l'appareil face au vent pendant qu'il quitte le sol.

**CONSEIL :** décollage du sol en mode débutant. Augmentez les gaz et conservez une trajectoire droite de l'appareil avec la commande de la gouverne de direction. L'appareil va s'élever depuis une piste plate sur une courte distance. Réalisez une montée régulière jusqu'à une altitude sûre. Utilisez le commutateur du mode d'urgence si nécessaire.

#### Décollage à la main

Quand vous apprenez à piloter, demandez de l'aide pour faire décoller votre appareil à la main de manière à ce que vous puissiez vous concentrer sur le pilotage. Si vous devez faire décoller votre appareil à la main par vous-même, tenez l'appareil avec votre main dominante et l'émetteur avec l'autre main. Une lanière de cou facultative (SPMP610, vendue séparément) peut vous aider à tenir l'émetteur.

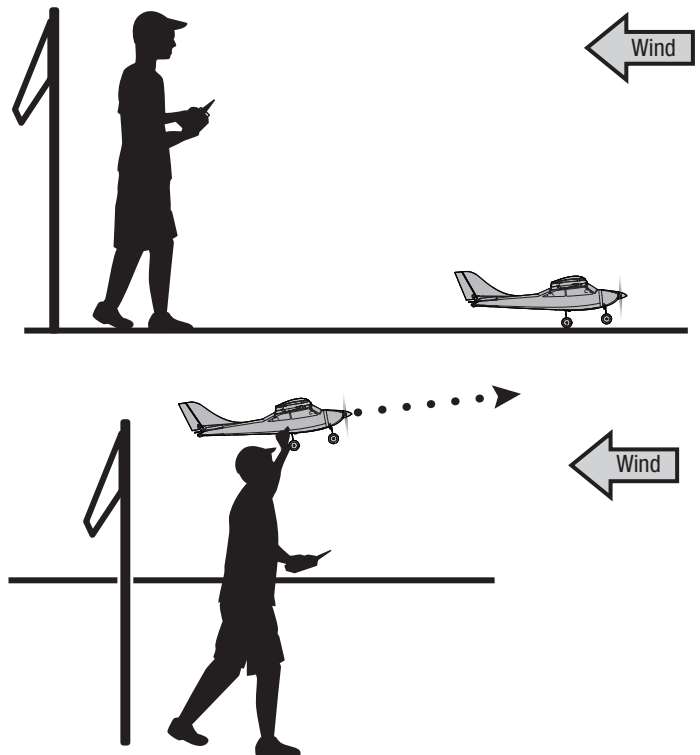
1. Tenez l'appareil sous le fuselage, derrière le train d'atterrissage arrière.
2. Augmentez précautionneusement la commande des gaz de l'émetteur jusqu'aux pleins gaz (100 %).
3. Lancez l'appareil avec le nez légèrement relevé et directement face au vent tout en conservant les ailes parallèles au sol.

Scannez le code QR pour être dirigé vers une vidéo qui vous donne des conseils sur la manière de piloter l'appareil avec succès.



Vidéo de pilotage

- N'essayez de faire votre premier virage à basse altitude. Les altitudes plus élevées offrent une plus grande possibilité de correction.
- Les mouvements des manettes de commande sont assez sensibles. Évitez de pousser les manettes de commande jusqu'à leurs points d'extrémité tant que vous n'êtes pas encore tout à fait familiarisé avec votre appareil.
- Pour rétablir l'appareil lors d'un piqué, diminuez les gaz et relâchez la manette des ailerons. Tirez la manette de la gouverne de profondeur un peu vers l'arrière pour relever le nez de l'appareil.
- Si vous avez l'impression d'avoir perdu le contrôle, maintenez enfoncé le bouton de rétablissement d'urgence.



**CONSEIL :** décollage à la main en mode débutant. La technologie va conserver l'appareil à l'horizontale et dans une trajectoire de montée. Réalisez une montée régulière et sûre jusqu'à une altitude sûre. Utilisez le commutateur du mode d'urgence si nécessaire.

## Pendant le vol

Continuez de monter face au vent pleins gaz, jusqu'à ce que l'appareil atteigne environ 15 mètres (50 pieds). Tournez progressivement l'avion loin de vous tout en conservant son altitude. Commencez un virage en inclinant légèrement l'avion avec la manette des ailerons. Tirez doucement la manette de la gouverne de profondeur vers l'arrière pour faire tourner l'avion et conserver son altitude. Lorsque l'avion est orienté dans la direction souhaitée, actionnez simplement l'aileron opposé pour remettre les ailes à l'horizontale et relâchez la gouverne de profondeur.

Montez jusqu'à environ 60 mètres (200 pieds) et réduisez les gaz à environ 50 %. Ajustez les gaz vers le haut ou le bas pour maintenir l'altitude. Essayez de ne pas trop éloigner ou élever l'avion, car il vous sera difficile de le voir.

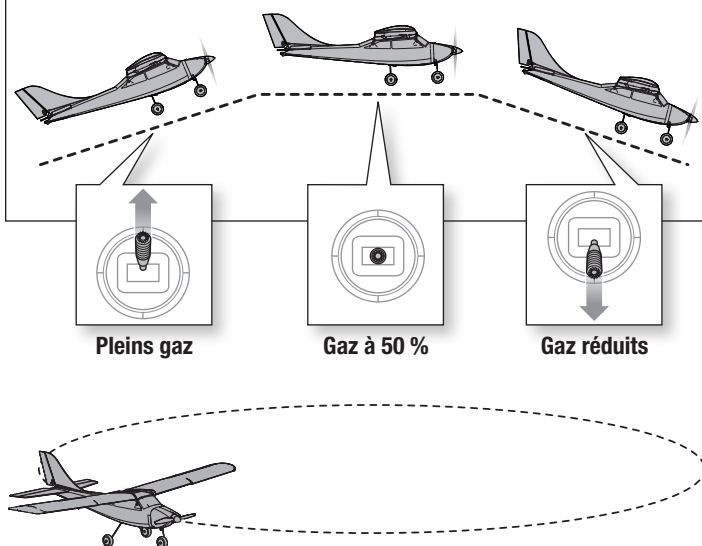
Pendant que vous pilotez :

- Faites voler l'appareil à une altitude suffisamment élevée pour que vous ayez le temps de réagir aux mouvements de l'avion.
- Faites des mouvements petits et légers avec les manettes pour voir comment l'appareil réagit.
- Entraînez-vous à piloter en faisant des grands cercles loin au-dessus du sol. Voler avec le nez de l'appareil dirigé vers vous est une des compétences les plus difficiles à maîtriser lorsque l'on apprend à piloter. Le vol en cercles vous permettra de voir l'appareil sous tous les angles.
- Si vous perdez l'orientation de l'appareil, maintenez enfoncé le bouton de rétablissement d'urgence et relâchez les manettes. L'appareil revient à un vol en palier. Relâchez le bouton et poursuivez votre vol.

**REMARQUE :** si un écrasement est imminent, activez la coupure des gaz ou baissez rapidement les gaz et la compensation des gaz. Le non-respect de cette procédure risquerait d'endommager encore davantage la cellule, ainsi que le variateur ESC et le moteur.

**REMARQUE :** les dégâts consécutifs à un écrasement ne sont pas pris en charge dans le cadre de la garantie.

Lorsque les réglages de compensation de l'appareil sont corrects, la conception de l'aile de l'appareil lui permet de monter en étant pleins gaz et de descendre avec des gaz réduits sans que la gouverne de profondeur soit nécessaire.



## Atterrissage

1. Réduisez les gaz à 50 % environ pour baisser la vitesse.
2. Faites voler l'appareil dans le sens du vent en dépassant l'extrémité de la piste d'atterrissage.
3. Faites virer l'appareil face au vent et alignez-le avec la ligne centrale de la piste d'atterrissage.
4. Réduisez encore progressivement les gaz pour commencer à descendre vers la piste d'atterrissage tout en maintenant les ailes à l'horizontale pendant l'approche. Essayez de faire en sorte que l'appareil se trouve à environ 3 m (10 pi) d'altitude lorsqu'il dépasse le seuil de la piste.
5. Lorsque l'appareil dépasse le seuil de la piste, réduisez les gaz.
6. Au moment où l'appareil est sur le point de toucher la piste, tirez doucement la manette de la gouverne de profondeur vers l'arrière pour lever le nez, ou arrondir l'appareil, en vue d'un atterrissage en douceur sur le train d'atterrissage principal. L'objectif est que la vitesse soit suffisamment basse pour que l'appareil ne grimpe pas lorsque l'arrondi de l'atterrissage commence.

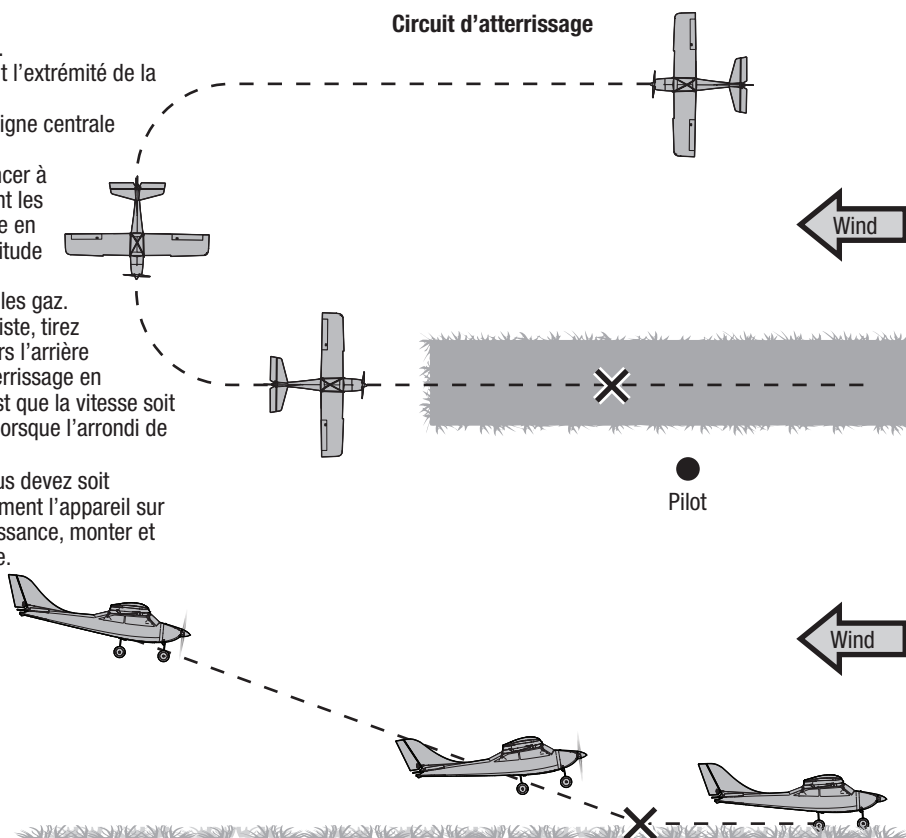
**CONSEIL :** si l'appareil rebondit et repart dans les airs, vous devez soit augmenter légèrement les gaz et refaire descendre doucement l'appareil sur la piste d'atterrissage, soit augmenter les gaz à pleine puissance, monter et faire le tour pour recommencer le processus d'atterrissage.

7. Continuez d'utiliser la manette de la gouverne de direction pour diriger l'appareil sur la piste, en laissant l'appareil rouler jusqu'à l'arrêt.

**REMARQUE :** si un écrasement est imminent, activez la coupure des gaz ou baissez rapidement les gaz et la compensation des gaz. Le non-respect de cette procédure risquerait d'endommager encore davantage la cellule, ainsi que le variateur ESC et le moteur.

**REMARQUE :** les dégâts consécutifs à un écrasement ne sont pas pris en charge dans le cadre de la garantie.

**IMPORTANT :** lorsque vous avez fini de voler, ne laissez jamais votre appareil sous le soleil. Ne stockez pas votre appareil dans un endroit chaud et fermé comme une voiture. Cela risquerait d'endommager la mousse.

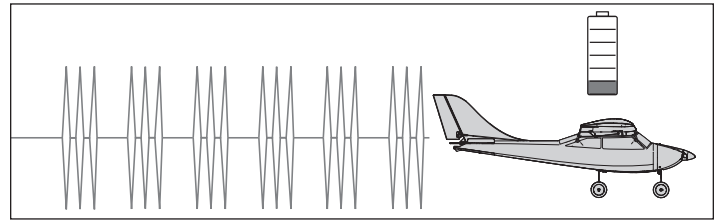


## Coupage par tension faible (LVC)

La coupure par tension faible (LVC) est une fonction intégrée à votre variateur de vitesse électronique pour protéger la batterie de toute décharge excessive. Lorsque la charge de la batterie de vol est faible, la LVC limite la puissance fournie au moteur de manière à ce que les commandes de vol reçoivent suffisamment d'énergie pour permettre un atterrissage en toute sécurité de l'appareil.

Lorsque la LVC est activée, l'appareil ralentit et le moteur commence à avoir des impulsions. Lorsque la puissance du moteur diminue, faites immédiatement atterrir l'appareil pour recharger la batterie de vol.

**REMARQUE :** des vols répétés jusqu'à une coupure par tension faible endommagent la batterie.



## Réglages de compensation de l'appareil

### Ajustement des réglages de la compensation pendant le vol

Si votre appareil ne vole pas droit et en palier à mi-régime avec les manettes en position neutre, volez contre le vent et ajustez les curseurs de réglage de la compensation comme indiqué sur le tableau jusqu'à ce que l'appareil maintienne une trajectoire de vol droite et en palier.

- Il est préférable de procéder aux réglages de compensation lorsque le vent est faible.
- Le commutateur du mode de vol SAFE doit être réglé sur le mode expérimenté (commutateur B sur la position 2) avant d'ajuster les réglages de compensation.

Une fois que vous avez procédé aux réglages de la compensation de l'appareil en plein vol, posez-le et rendez-vous dans la partie Ajustement manuel de la compensation pour recentrer les servos et configurer mécaniquement les réglages de compensation.

L'émetteur DXS inclus comprend des boutons de réglage électronique de la compensation. L'émetteur produit un bip sonore tenu chaque fois que les boutons de réglage de la compensation sont poussés dans l'une des directions. Maintenir le bouton dans une des directions ajuste rapidement la compensation de plusieurs crans jusqu'à ce que le bouton soit relâché ou que le réglage de compensation atteigne la fin de sa course. Lorsque le bouton de réglage de la compensation n'émet pas de bip quand il est poussé, la compensation est à la toute fin de sa course. Lorsque la compensation est au centre, cela est indiqué par un bip sonore légèrement plus fort.

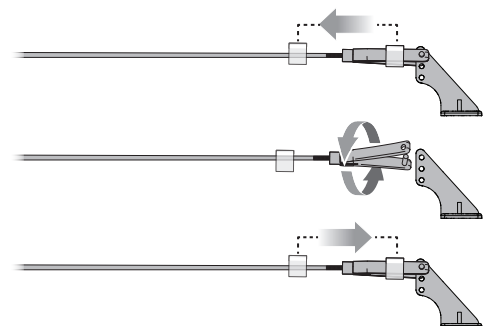
**CONSEIL :** réglez la compensation de l'appareil à une altitude suffisante d'environ 30 mètres. Nous vous conseillons de demander à un instructeur de vol expérimenté de régler la compensation de votre appareil lors du premier vol.

### Ajustement manuel de la compensation

Après avoir ajusté les réglages de compensation de l'appareil en plein vol, il est nécessaire de recentrer les servos et d'ajuster les barres de liaison pour appliquer les modifications de compensation réalisées dans les airs. Ce processus permet de s'assurer que les servos conservent une course complète et ne vont pas faire un déplacement excessif dans l'une ou l'autre direction.

1. Après l'atterrissage suivant le vol de réglage de la compensation, activez la coupure des gaz (commutateur H sur la position 1).
2. Placez le commutateur de mode de vol sur le mode Expérimenté (commutateur B sur la position 2). Assurez-vous que l'appareil est maintenu immobile.
3. Une par une, prenez note des décalages de position de chaque gouverne.
4. Retirez la manille du guignol de commande de la gouverne en faisant glisser le tube en caoutchouc doux vers l'arrière le long de la barre de liaison. Ouvrez doucement la manille et faites glisser l'axe hors du guignol de commande.
5. Centrez le compensateur de l'émetteur correspondant à cette gouverne.
6. Ajustez la manille vers l'intérieur ou l'extérieur en faisant tourner la manille sur la barre de liaison jusqu'à ce que la position de la gouverne corresponde au décalage corrigé lorsque l'axe de la manille est inséré dans le guignol de commande.
7. Insérez à nouveau l'axe de la manille dans le bon orifice du guignol de commande.
8. Refermez la manille, en enfermant le guignol de commande entre ses bras.
9. Faites glisser le tube en caoutchouc doux par-dessus la manille pour éviter qu'elle ne s'ouvre.
10. Passez à la gouverne suivante et répétez les étapes 3 à 9 jusqu'à ce que l'ensemble des compensateurs des gouvernes de l'émetteur soient centrés.

	Dérive de l'appareil	Compensation requise
Gouverne de profondeur		 Compensation de la gouverne de profondeur
		 Compensation de la gouverne de profondeur
Ailerons		 Compensation des ailerons
		 Compensation des ailerons
Gouverne de direction		 Compensation de la gouverne de direction
		 Compensation de la gouverne de direction



## Après le vol

Déconnectez la batterie de vol de l'ESC.
Éteignez l'émetteur.
Retirez la batterie de vol de l'appareil.
Rechargez la batterie de vol.
Réparez ou remplacez toutes les pièces endommagées.
Stockez la batterie de vol en dehors de l'appareil et surveillez la charge de la batterie.
Notez les conditions de vol et les résultats du plan de vol pour prévoir les futurs vols.

**IMPORTANT** : lorsque vous avez fini de voler, ne laissez jamais votre appareil sous le soleil. Ne stockez pas votre appareil dans un endroit chaud et fermé comme une voiture. Cela risquerait d'endommager la mousse.

### Conseils concernant la batterie Li-Po :

- Débranchez et retirez la batterie Li-Po de l'appareil après son utilisation pour éviter qu'elle ne se décharge lentement.
- Chargez votre batterie Li-Po à environ mi-capacité si vous avez prévu de la stocker sur une longue période.
- Pendant le stockage de la batterie, assurez-vous que son niveau de charge ne tombe pas en dessous de 3 V par cellule.
- Veuillez toujours lire et respecter l'ensemble des avertissements et directives de sécurité fournis avec vos batteries Li-Po.

## Affectation de l'émetteur et du récepteur

L'affectation est le processus de programmation du récepteur de l'avion avec le code d'identification de l'émetteur de manière à ce que le récepteur se connecte uniquement à cet émetteur en particulier.

L'émetteur inclus a été affecté à l'appareil en usine. Si votre appareil ne répond pas aux entrées de commande de l'émetteur lorsque les batteries de l'appareil et de l'émetteur sont complètement chargées, il se peut que le récepteur de l'appareil et l'émetteur aient besoin d'être affectés de nouveau.

Pour réaffecter l'émetteur et le récepteur :

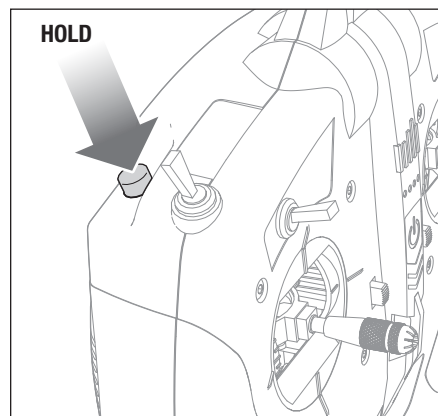
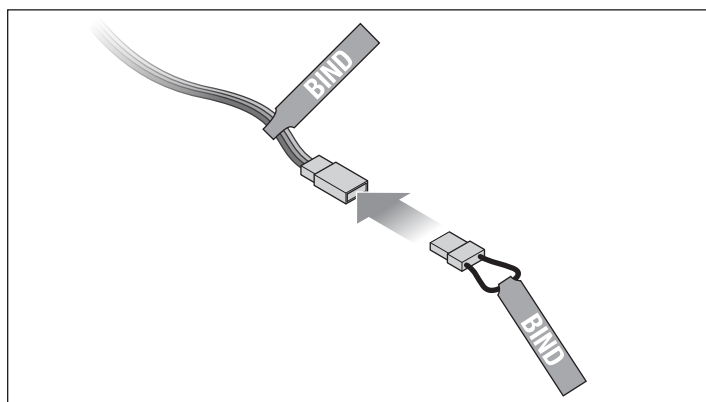
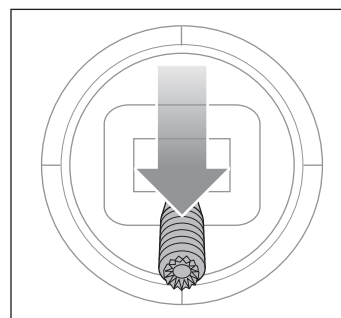
1. Éteignez l'émetteur
  2. Placez la manette des gaz sur la position basse et toutes les autres commandes sur la position neutre.\* Assurez-vous que l'appareil est immobile.
- IMPORTANT** : les gaz ne s'activeront pas si la manette des gaz de l'émetteur n'est pas dans sa position la plus basse.
3. Insérez une prise d'affectation dans la rallonge d'affectation située dans le compartiment de la batterie.
  4. Raccordez la batterie de vol au variateur ESC. La DEL du récepteur clignote rapidement (visible quand l'aile est retirée).
  5. Maintenez enfoncé le bouton d'affectation (bouton A) de l'émetteur tout en l'allumant. La DEL du récepteur s'allume de manière continue lorsque le récepteur et l'émetteur sont affectés. L'appareil s'initialise et les commandes fonctionnent normalement.
  6. Enlevez la prise d'affectation de la rallonge d'affectation.

Une fois correctement affectés, le récepteur et l'émetteur le resteront pour les prochains vols.

Si vous avez des problèmes, veuillez vous référer au guide de dépannage. Si besoin, contactez le bureau du service après-vente de Horizon Hobby approprié.

### \* Sécurité intégrée

Le récepteur conserve la position de la commande des gaz de l'émetteur au moment de l'affectation comme étant la position de sécurité intégrée. Si le récepteur perd toute communication avec l'émetteur, la fonction de sécurité intégrée s'active. Le mode sécurité intégrée fait passer le canal des gaz vers la position de sécurité intégrée prédéfinie (faible ouverture des gaz) qui a été enregistrée pendant l'affectation. Tous les autres canaux de commande se déplacent pour que l'appareil descende lentement en cercles jusqu'à ce que la liaison radio soit rétablie.





## Entraînement au vol

### Pour le pilote débutant :

Cet appareil est facile à piloter. Il permet d'appliquer les compétences de vol d'un débutant. Cependant, nous vous recommandons d'obtenir l'aide d'un instructeur de vol qualifié pour vos premiers vols à commandes radio. Certains clubs d'aéromodélisme proposent une formation sur leurs terrains de vol. Trouvez un club d'aéromodélisme près de chez vous en vous renseignant dans votre magasin spécialisé local. Aux États-Unis, vous trouverez de plus amples informations sur les clubs et les cours d'aéromodélisme sur le site de l'Academy of Model Aeronautics : [www.modelaircraft.org](http://www.modelaircraft.org).

### Pour l'instructeur de vol :

N'hésitez pas à tester la technologie SAFE avant de commencer les cours sur cet appareil. Les positions progressives du commutateur de la technologie SAFE sont conçues pour que le pilote débutant puisse apprendre avec un minimum d'aide de l'instructeur. Nous recommandons d'utiliser la position 1 du commutateur de mode de vol pour former un pilote débutant. Les positions 0 et 2 du commutateur peuvent stabiliser l'appareil plus ou moins que ce que vous souhaiteriez pour la formation.

### Fonctionnalité d'entraîneur sans fil DXS

Votre émetteur DXS peut être connecté sans fil à un autre émetteur par le biais du récepteur à distance DSMX SRXL2 (SPM9747, vendu séparément).

L'émetteur DXS est un émetteur d'instructeur idéal car il est compatible avec tous les émetteurs Spektrum qui utilisent cette fonctionnalité. L'inversion du sens de servo et les compensations doivent être identiques sur les deux émetteurs.

Cette approche en binôme (« buddy box ») a permis à de nombreux nouveaux pilotes de se familiariser avec le contrôle de l'appareil avec l'aide étroite d'un instructeur de vol. La connexion de deux émetteurs permet à votre instructeur de vol de tenir l'émetteur Maître pendant que vous gérez l'émetteur Esclave. Pendant que vous apprenez à voler, l'instructeur appuie sur le commutateur de l'entraîneur pour vous donner le contrôle de l'appareil. Si vous avez besoin d'aide, l'instructeur de vol le relâche et reprend ainsi les commandes.

**IMPORTANT :** si un autre émetteur que le DXS fourni est utilisé comme émetteur de l'instructeur ou de l'étudiant, reportez-vous à la section Configuration en binôme (« Buddy Box ») ci-dessous.

### Installation du récepteur à distance

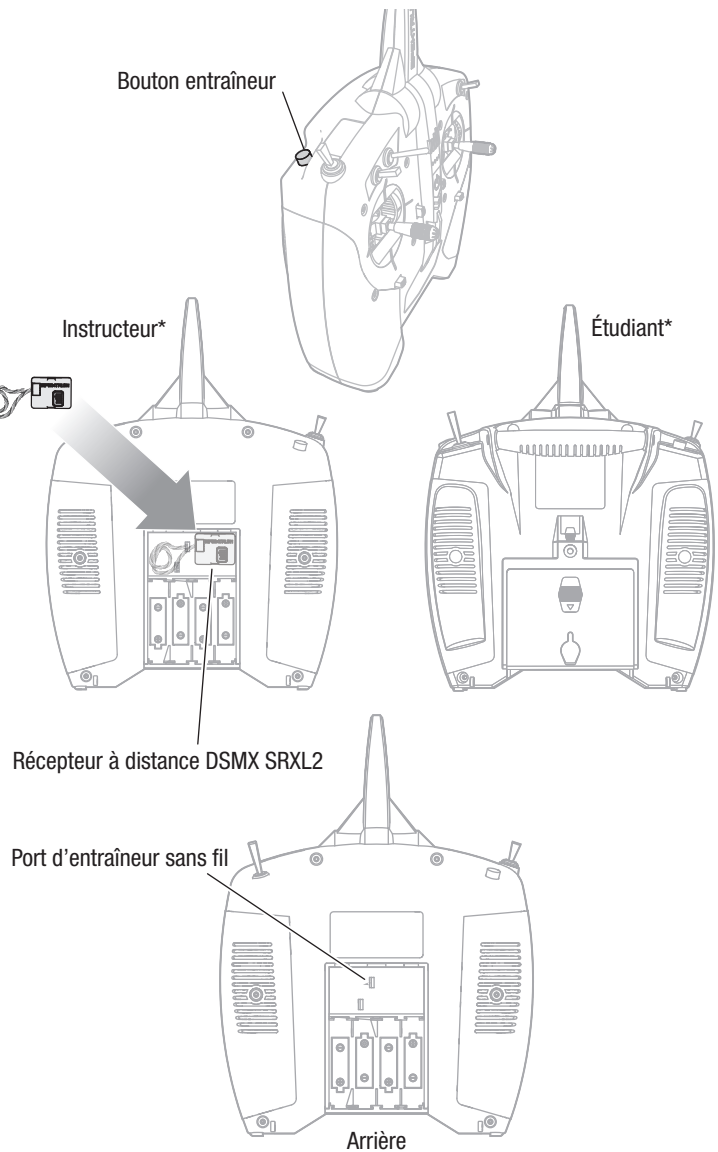
1. Ouvrez le couvercle du compartiment à piles
2. Branchez le câble du récepteur à distance sur le port d'entraîneur sans fil.
3. Installez le récepteur à distance dans la cavité derrière le couvercle du compartiment à piles à l'aide de ruban adhésif double face.

### Configuration en binôme (« Buddy Box »)

**IMPORTANT :** utilisez ces paramètres pour un émetteur d'instructeur ou d'étudiant si vous utilisez l'option en binôme (« Buddy Box ») pour un entraînement avec un émetteur autre que le DXS inclus. Si vous ne le faites pas, les modes de vol de la technologie SAFE ne pourront pas fonctionner correctement.

L'émetteur doit être configuré selon les tableaux de configuration de l'émetteur et de configuration en binôme (« Buddy Box »).

Émetteur de l'étudiant		Configuration de l'étudiant
DX4e, DX5e (2 pos.)		Configuration entraîneur d'usine
DX4e, DX5e (3 pos.)		Configuration entraîneur d'usine
DXe		Configuration entraîneur d'usine
DX6i		Configuration entraîneur d'usine
DX7		Configuration entraîneur d'usine
DX6 DX7s DX7(G2) DX8 DX8(G2)	DX9 DX10t DX18 DX20	Configuration entraîneur d'usine



Émetteur de l'instructeur		Configuration de l'instructeur
DX4e, DX5e (2 pos.)		Configuration entraîneur d'usine
DX4e, DX5e (3 pos.)		Configuration entraîneur d'usine
DXe		Configuration entraîneur d'usine
DX6i		Configuration entraîneur d'usine
DX7		Trainer (Entraîneur) à Normal
DX6 DX7s DX7(G2) DX8 DX8(G2)	DX9 DX10t DX18 DX20	Activez Programmable Master (Maître programmable) et assurez-vous que les canaux Thro (Gaz) - Aux 1 sont réglés sur student (étudiant).

\* Certains émetteurs avec des anciennes versions du logiciel Spektrum Airware peuvent utiliser une terminologie différente pour décrire les fonctions Student (Étudiant) et Instructor (Instructeur).

## Configuration facultative de l'émetteur

Pour utiliser un émetteur Spektrum autre que le DXS inclus dans l'appareil RTF Basic, utilisez le tableau de configuration correspondant à votre série d'émetteur (série DX, NX ou iX) pour programmer l'émetteur.

Lorsque vous utilisez la configuration recommandée, la répartition des commutateurs de l'émetteur est comme suit :

- Le commutateur B sélectionne le mode de vol : débutant (position 0), intermédiaire (position 1), expérimenté (position 2)
- Le bouton I contrôle le mode d'urgence (le mode d'urgence est activé quand il est enfoncé)
- Le commutateur F contrôle le double débattement des ailerons
- Le commutateur C contrôle le double débattement de la gouverne de profondeur
- Le commutateur G contrôle le double débattement de la gouverne de direction.
- Le commutateur H contrôle la coupure des gaz.

**IMPORTANT :** après avoir terminé la configuration de l'émetteur ou avoir modifié la configuration de l'émetteur, l'émetteur et le récepteur doivent être réaffectés pour enregistrer les positions de sécurité intégrée souhaitées.

### Double débattement

Réalisez vos premiers vols avec un petit débattement, en choisissant un grand débattement de la gouverne de profondeur pour l'atterrissage.

**REMARQUE :** pour vous assurer que la technologie AS3X fonctionne correctement, ne diminuez pas les valeurs de débattement en dessous de 50 %. Si moins de déviation de contrôle est souhaitable, ajustez manuellement la position des barres de liaison sur le bras de servo

**REMARQUE :** si vous constatez une oscillation à grande vitesse, consultez le guide de dépannage pour obtenir de plus amples informations.

### Exponentiel

Après les premiers vols, adaptez les réglages de l'exponentiel sur l'émetteur pour ajuster la réactivité de l'appareil autour du point neutre en fonction de vos préférences.

### Configuration d'un émetteur de la série iX

1. Mettez l'émetteur en marche et commencez dès que l'application Spektrum Airware est ouverte. Sélectionnez l'icône du crayon orange dans le coin supérieur gauche de l'écran, le système demande l'autorisation de <b>Turn Off RF (Désactiver le RF)</b> , sélectionnez <b>PROCEED (POURSUIVRE)</b>
2. Sélectionnez les trois points en haut à droite de l'écran, sélectionnez <b>Add a New Model (Ajouter un nouveau modèle)</b>
3. Sélectionnez Model Option (Option de modèle), choisissez <b>DEFAULT (PAR DÉFAUT)</b> , sélectionnez <b>Airplane (Avion)</b> . Le système demande si vous voulez créer un nouveau modèle acro, sélectionnez <b>Create (Créer)</b>
4. Sélectionnez le dernier modèle sur la liste, appelé <b>Acro</b> . Tapez sur Acro et renommez le fichier avec un nom de votre choix
5. Maintenez enfoncée la flèche retour dans le coin supérieur gauche de l'écran pour revenir à l'écran principal
6. Rendez-vous sur <b>Model Setup (Configuration du modèle) ;</b> Sélectionnez <b>Channel Assign (Attribution des canaux)</b> , sélectionnez <b>PROCEED (CONTINUER)</b> <b>5 Gear (Train) : Switch (Commutateur) B</b> <b>6 Aux1 : Switch (Commutateur) I</b> Maintenez enfoncée la flèche retour dans le coin supérieur gauche de l'écran pour revenir à l'écran principal
7. Accédez au menu <b>Model Adjust (Ajustement du modèle)</b>
8. Sélectionnez <b>Dual Rates and Expo (Doubles débattements et expo.) ;</b> <b>Channel (Canal) : Aileron</b> <b>Switch (Commutateur) : Switch (Commutateur) F</b> Définissez les positions <b>0</b> et <b>1</b> du commutateur : <b>Rate (Débattement) 100 % , Expo 10 %</b> Définissez la position <b>2</b> du commutateur : <b>Rate (Débattement) 70 % , Expo 5 %</b>
9. <b>Channel (Canal) : Elevator (Gouverne de profondeur)</b> <b>Switch (Commutateur) : Switch (Commutateur) C</b> Définissez les positions <b>0</b> et <b>1</b> du commutateur : <b>Rate (Débattement) 100 % , Expo 10 %</b> Définissez la position <b>2</b> du commutateur : <b>Rate (Débattement) 70 % , Expo 5 %</b>
10. <b>Channel (Canal) : Aileron</b> <b>Switch (Commutateur) : Switch (Commutateur) G</b> Définissez les positions <b>0</b> et <b>1</b> du commutateur : <b>Rate (Débattement) 100 % , Expo 10 %</b> Définissez la position <b>2</b> du commutateur : <b>Rate (Débattement) 70 % , Expo 5 %</b>
11. Appuyez sur la flèche de retour pour revenir au menu <b>Model Adjust (Ajustement du modèle)</b>
12. Sélectionnez <b>Throttle Cut (Coupure des gaz) ;</b> <b>Switch (Commutateur) : Switch (Commutateur) H</b> <b>Position : -100%</b>

### Configuration d'un émetteur de la série NX

1. Mettez l'émetteur en marche, cliquez sur la molette, allez à **System Setup (Configuration du système)** et cliquez sur la molette. Lorsqu'il vous est demandé de désactiver le RF, choisissez « oui ».
2. Allez à **Model Select (Sélectionner un modèle)** et choisissez **<Add New Model> (Ajouter un nouveau modèle)** au bas de la liste. Sélectionnez **Airplane Model Type (Type de modèle d'avion)** en choisissant l'avion, sélectionnez **Create (Créer)**
3. Définissez le **Model Name (Nom du modèle)** : entrez un nom pour votre fichier de modèle
4. Rendez-vous sur **Channel Assign (Attribution des canaux)**  
 5 *Gear (Train)* : Remplacez **A** par **Switch (Commutateur) B**  
 6 *Aux1* : Remplacez **D** par **Button (Bouton) I**  
 Cliquez sur **List (Liste)** pour quitter
5. Sélectionnez **<Main Screen> (Écran principal)**, cliquez sur la molette pour entrer dans la **Function List (Liste des fonctions)**
6. Rendez-vous sur **D/R (Dual Rate) and Expo (Double débattement et expo)** ;  
*Channel (Canal)* : **Aileron**  
 Définissez *Switch (Commutateur)* : **Switch (Commutateur) F**  
 Définissez les positions **0** et **1** du commutateur :  
*Rate (Débattement)* **100 %**, *Expo* **10 %**  
 Définissez la position **2** du commutateur : *Rate (Débattement)* **70 %**, *Expo* **5 %**
7. Rendez-vous sur **D/R (Dual Rate) and Expo (Double débattement et expo)** ;  
*Channel (Canal)* : **Elevator (Gouverne de profondeur)**  
 Définissez *Switch (Commutateur)* : **Switch (Commutateur) C**  
 Définissez les positions **0** et **1** du commutateur :  
*Rate (Débattement)* **100 %**, *Expo* **10 %**  
 Définissez la position **2** du commutateur : *Rate (Débattement)* **70 %**, *Expo* **5 %**
8. Rendez-vous sur **D/R (Dual Rate) and Expo (Double débattement et expo)** ;  
*Channel (Canal)* : **Rudder (Gouverne de direction)**  
 Définissez *Switch (Commutateur)* : **Switch (Commutateur) G**  
 Définissez les positions **0** et **1** du commutateur :  
*Rate (Débattement)* **100 %**, *Expo* **10 %**  
 Définissez la position **2** du commutateur : *Rate (Débattement)* **70 %**, *Expo* **5 %**
9. Sélectionnez **List (Liste)** pour revenir à la **Function List (Liste des fonctions)**
10. Sélectionnez **Throttle Cut (Coupe des gaz)** ;  
*Switch (Commutateur)* : **Switch (Commutateur) H**  
*Position* : **-100%**

### Configuration d'un émetteur de la série DX

1. Mettez l'émetteur en marche, cliquez sur la molette, allez à **System Setup (Configuration du système)** et cliquez sur la molette. Lorsqu'il vous est demandé de désactiver le RF, choisissez « oui ».
2. Allez à **Model Select (Sélectionner un modèle)** et choisissez **<Add New Model> (Ajouter un nouveau modèle)** au bas de la liste. Le système demande si vous voulez créer un nouveau modèle, sélectionnez **Create (Créer)**
3. Définissez le **Model Type (Type de modèle)** : Sélectionnez **Airplane Model Type (Type de modèle d'avion)** en choisissant l'avion.  
 Le système vous demande de confirmer le type de modèle, les données seront réinitialisées. Sélectionnez **YES (OUI)**
4. Définissez le **Model Name (Nom du modèle)** : entrez un nom pour votre fichier de modèle
5. Sélectionnez **<Main Screen> (Écran principal)**, cliquez sur la molette pour entrer dans la **Function List (Liste des fonctions)**
6. Rendez-vous sur **D/R (Dual Rate) and Expo (Double débattement et expo)** ;  
*Channel (Canal)* : **Aileron**  
 Définissez *Switch (Commutateur)* : **Switch (Commutateur) F**  
 Définissez les positions **0** et **1** du commutateur :  
*Rate (Débattement)* **100 %**, *Expo* **10 %**  
 Définissez la position **2** du commutateur : *Rate (Débattement)* **70 %**, *Expo* **5 %**
7. Rendez-vous sur **D/R (Dual Rate) and Expo (Double débattement et expo)** ;  
*Channel (Canal)* : **Elevator (Gouverne de profondeur)**  
 Définissez *Switch (Commutateur)* : **Switch (Commutateur) C**  
 Définissez les positions **0** et **1** du commutateur :  
*Rate (Débattement)* **100 %**, *Expo* **10 %**  
 Définissez la position **2** du commutateur : *Rate (Débattement)* **70 %**, *Expo* **5 %**
8. Rendez-vous sur **D/R (Dual Rate) and Expo (Double débattement et expo)** ;  
*Channel (Canal)* : **Rudder (Gouverne de direction)**  
 Définissez *Switch (Commutateur)* : **Switch (Commutateur) G**  
 Définissez les positions **0** et **1** du commutateur :  
*Rate (Débattement)* **100 %**, *Expo* **10 %**  
 Définissez la position **2** du commutateur : *Rate (Débattement)* **70 %**, *Expo* **5 %**
9. Sélectionnez **List (Liste)** pour revenir à la **Function List (Liste des fonctions)**
10. Sélectionnez **Throttle Cut (Coupe des gaz)** ;  
*Switch (Commutateur)* : **Switch (Commutateur) H**  
*Position* : **-100%**

## Variateur de vitesse électronique (ESC) doté de la technologie SMART

Le Apprentice S 2 1,2 m est équipé d'un variateur de vitesse électronique doté de la technologie Smart exclusif qui peut fournir plusieurs données de télémétrie liées au système de puissance en temps réel pendant le vol, y compris le régime moteur, le courant, la tension de la batterie, entre autres, à des émetteurs dotés de AirWare de Spektrum compatibles.

Quand il est allumé, le variateur ESC envoie les informations ci-dessous à la commande de vol. Ces informations sont affichées sur l'écran de télémétrie de l'émetteur.

- Régime moteur (tr/min)\*
- Tension
- Courant
- Gaz
- Température FET
- Température BEC

\* Pour que les informations de télémétrie concernant le régime moteur puissent s'afficher correctement, vous devez programmer le nombre de pôles du moteur dans les paramètres relatifs à la télémétrie sur votre émetteur.

Le Apprentice S 2 1,2 m utilise un moteur à 14 pôles.

### Pour programmer le nombre de pôles du moteur :

1. Allumez l'émetteur.
2. Activez la coupure des gaz.
3. Allumez l'appareil et laissez-le s'initialiser.
4. Sur votre émetteur, rendez-vous dans la **Function List (Liste des fonctions) (Model Setup (Configuration du modèle))** sur les émetteurs de la série iX).

ESC Status			
RPM:	0		
Volts:	0.0V		
Motor:	0.0A	0%	Output
Throttle:	0%		
Fet Temp:	0.0C		
BEC:	0.0C	0.0A	0.0V

5. Sélectionnez l'option de menu **Telemetry (Télémétrie)**.
6. Rendez-vous dans l'option de menu **ESC**.
7. Faites défiler jusqu'à **Poles**.
8. Saisissez **14** (pour les émetteurs de la série iX, vous devez cliquer sur save [enregistrer] pour enregistrer les modifications).
9. Revenez à l'écran principal.

## Flotteurs facultatifs (décollages et atterrissages sur l'eau)

**IMPORTANT** : nous recommandons le vol avec flotteurs uniquement si vous êtes capable de piloter confortablement en mode de vol expérimenté.

Utilisez les flotteurs uniquement lorsque vous maîtrisez le pilotage de votre avion et après plusieurs décollages, vols et atterrissages réussis. Le pilotage au-dessus de l'eau présente un risque accru pour l'avion, car les composants électroniques peuvent tomber en panne en cas d'immersion totale dans l'eau. Les flotteurs facultatifs et fils de montage de flotteurs (HBZ7390) sont vendus séparément.

Assurez-vous toujours que les flotteurs facultatifs sont bien fixés sur le fuselage avant de poser l'avion sur l'eau.

Pour décoller de l'eau :

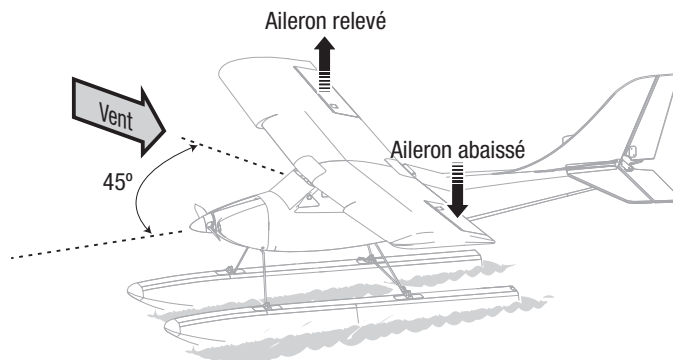
1. Augmentez lentement les gaz, en dirigeant l'appareil avec la gouverne de direction pour qu'il reste sur une trajectoire droite et face au vent. Évitez d'augmenter rapidement les gaz car le couple fourni par le moteur peut faire basculer l'appareil vers la gauche quand il est sur l'eau.
2. Tenez la gouverne de profondeur légèrement relevée (1/4–1/3) et l'avion décollera dès que la vitesse de vol sera atteinte.
3. Maintenez les ailes à l'horizontale pendant le décollage.

Pour faire atterrir cet avion sur l'eau, placez-le à une altitude d'environ 60 cm au-dessus de la surface de l'eau. Réduisez les gaz et relevez davantage la gouverne de profondeur pour réaliser une manœuvre d'arrondi.

Lorsque l'appareil se déplace sur l'eau, faites-le avancer à l'aide de la manette des gaz, mais utilisez la manette de la gouverne de direction pour le diriger. La manette fait tourner à la fois la gouverne de direction de l'appareil et la petite gouverne de direction fixée sur le flotteur gauche.

S'il y a de la brise, évitez de déplacer l'appareil sur l'eau dans un vent de travers, ou celui-ci risque de se retourner si le vent passe en dessous de l'aile exposée au vent. Déplacez l'avion sur l'eau à 45 degrés de la direction du vent (non pas perpendiculaire au vent) et utilisez l'aileron pour maintenir l'aile exposée au vent en position abaissée. Pendant le déplacement, l'avion essaiera naturellement de faire face au vent.

Séchez systématiquement l'avion dans son entier après un atterrissage sur l'eau.



Orientez l'appareil à 45° de la direction du vent.



**ATTENTION** : n'allez jamais seul récupérer un modèle tombé dans l'eau.



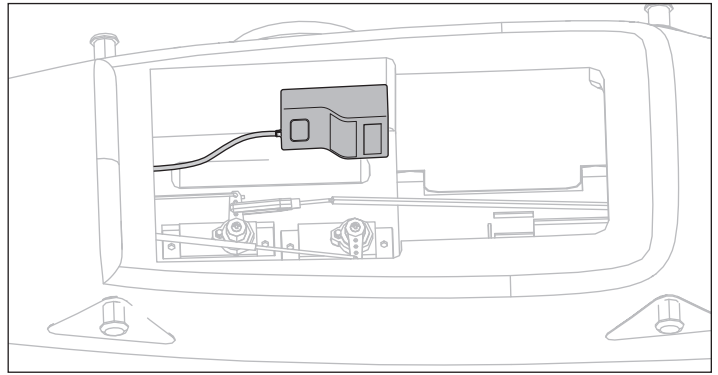
**ATTENTION** : en cas de projections d'eau sur le fuselage pendant un atterrissage sur l'eau, ramenez l'avion sur la rive, ouvrez la trappe de la batterie et éliminez immédiatement l'eau qui a pu pénétrer dans le fuselage. Laissez la trappe de la batterie ouverte toute la nuit pour laisser sécher l'intérieur et empêcher ainsi que l'humidité n'endommage les composants électriques. Le non-respect de cette procédure pourrait causer la panne des composants et entraîner la chute de l'appareil.

## Entretien et réparations

**REMARQUE :** après un impact ou un remplacement, vérifiez toujours que le récepteur est **toujours solidement fixé dans le fuselage**. Si vous remplacez le récepteur, installez le nouveau récepteur dans le même sens et de la même manière que celui d'origine pour éviter tout dommage.

Cet appareil a pour avantage que l'aile et le fuselage sont fabriqués dans un matériau EPO en mousse permettant d'effectuer des réparations avec pratiquement n'importe quel adhésif (colle thermofusible, colle cyanoacrylate ordinaire, époxy, etc.).

Lorsque les pièces ne sont pas réparables, consultez la liste des références des Pièces de rechange pour passer vos commandes. Vous trouverez une liste complète des pièces de rechange et facultatives à la fin de ce manuel.



### Entretien des composants du système de puissance



**ATTENTION :** déconnectez toujours la batterie de vol du modèle avant de retirer l'hélice.

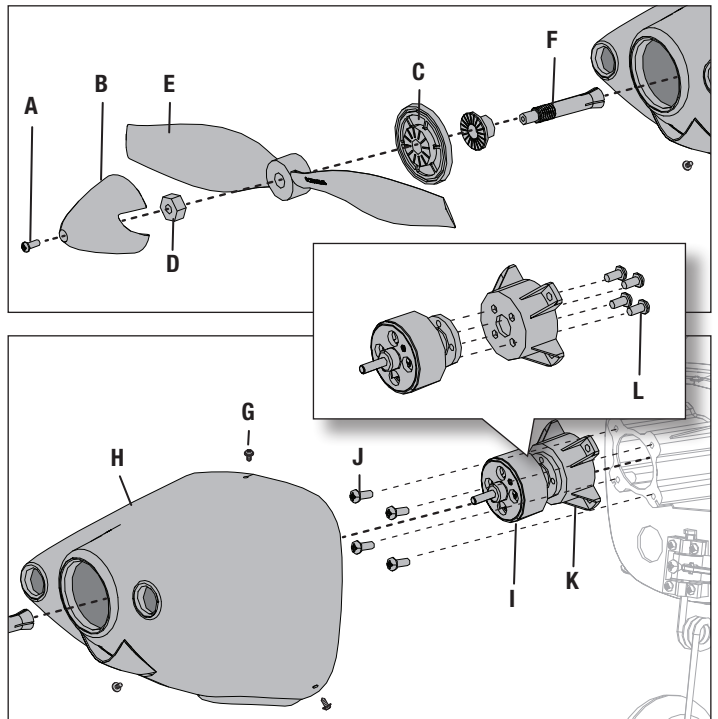
#### Démontage

1. Retirez la vis (A) et le cône (B) de la plaque arrière du cône (C).
2. Retirez l'écrou hexagonal (D), l'hélice (E) et la plaque arrière du cône de la douille de serrage (F). Un outil sera nécessaire pour retirer l'écrou hexagonal.
3. Retirez avec précaution 3 vis (G) et le capot (H) du fuselage.
4. Retirez la douille de serrage du moteur (I).
5. Enlevez 4 vis (J) du support moteur (K) et du fuselage.
6. Débranchez les connecteurs du moteur des connecteurs du variateur ESC.
7. Enlevez 4 vis (L) pour retirer le moteur du support moteur.

Montez dans l'ordre inverse.

#### Astuces relatives à l'ensemble

- Alignez et raccordez les fils du moteur aux fils du variateur ESC en respectant les couleurs.
- Les numéros de taille d'hélice (8,25 x 5,5) doivent être tournés vers l'extérieur par rapport au moteur pour assurer un fonctionnement correct de l'hélice.
- Assurez-vous que le cône est bien fixé sur la plaque arrière du cône pour un fonctionnement sécurisé.



### Réglages des guignols de commande et des bras de servo

**REMARQUE :** le déplacement d'une tringlerie sur une autre position peut bloquer le bras de servo ou nuire au fonctionnement de la technologie SAFE.

L'illustration indique la configuration en usine au niveau des orifices dans les bras de servo et les guignols de commande.

	Gouverne de profondeur	Ailerons	Gouverne de direction
Bras			
Guignols			

## Guide de dépannage - Technologie SAFE

Problème	Cause possible	Solution
Oscillation	Vol à une vitesse supérieure à celle recommandée	Réduisez la vitesse
	Hélice ou cône endommagés	Remplacez l'hélice ou le cône
	Déséquilibre de l'hélice	Équilibrez l'hélice. (Pour plus d'information, consultez la vidéo d'équilibrage d'hélice de John Redman, en anglais.)
	Vibration du moteur	Remplacez les pièces ou alignez correctement les pièces et resserrez la visserie
	Récepteur improprement fixé	Alignez et fixez bien le récepteur dans le fuselage
	Du jeu dans les commandes	Resserrez ou vérifiez l'état des pièces (servo, bras de servo, tringleries, guignols et gouvernes)
	Pièces usées	Réglez le gain pour compenser l'usage des pièces ou remplacez les pièces usées (surtout l'hélice, points de pivot, servo)
	Fonctionnement erratique du servo	Remplacez le servo
Le trim est en position maximale et l'avion ne vole toujours pas droit ou à niveau	Le trim n'est pas au neutre	Si vous ajustez les trims plus de 4 clics, ajustez la chape pour annuler le trim

## Guide de dépannage

Problème	Cause possible	Solution
L'aéronef ne répond pas aux gaz mais bien aux autres commandes	La manette des gaz n'est pas au ralenti (idle) et/ou le trim des gaz est réglé à une valeur trop élevée	Réinitialisez les commandes avec la manette des gaz et mettez le trim des gaz à sa valeur la plus faible possible
	La course du servo des gaz est inférieure à 100%	Assurez-vous que la course du servo des gaz est de 100%
	La voie des gaz est inversée	Inversez le canal des gaz sur l'émetteur
	Moteur déconnecté de l'ESC	Assurez-vous que le moteur soit bien connecté à l'ESC
L'hélice fait trop de bruit ou vibre trop	Hélice et cône, adaptateur ou moteur endommagé	Remplacez les pièces endommagées
	Déséquilibre de l'hélice	Équilibrez ou remplacez l'hélice
	Ecrou de l'hélice desserré	Resserrez l'écrou
Durée de vol réduite ou manque de puissance de l'aéronef	Le cône n'est pas suffisamment serré ou aligné	Resserrez ou enlevez le cône, tournez-le d'un demi-tour puis réinstallez-le.
	La charge de la batterie de vol est faible	Rechargez complètement la batterie de vol
	Hélice montée à l'envers	Montez l'hélice correctement les chiffres se trouvant sur le devant
	Batterie de vol endommagée	Remplacez la batterie de vol et respectez les instructions la concernant
	Il se pourrait que les conditions de vol soient trop froides	Assurez-vous que la batterie est à température avant de l'utiliser
L'aéronef n'accepte pas l'affectation (au cours de cette procédure) à l'émetteur	Capacité de la batterie trop faible pour les conditions de vol	Remplacez la batterie ou utilisez une batterie à plus grande capacité
	Émetteur trop près de l'aéronef au cours de la procédure d'affectation	Déplacez l'émetteur allumé à quelques pas de l'aéronef, déconnectez la batterie métallique
	L'aéronef ou l'émetteur se trouve trop près d'un objet métallique	Déplacez l'aéronef ou l'émetteur à bonne distance de l'objet métallique de forte taille
	La prise d'affectation n'est pas installée correctement dans le port d'affectation	Installez la prise d'affectation dans le port d'affectation et affectez l'aéronef à l'émetteur
	La charge de la batterie de vol/de la batterie de l'émetteur est trop faible	Remplacez/rechargez les batteries
(Après affectation), l'aéronef ne veut pas établir la liaison avec l'émetteur	Bouton d'affectation n'a pas été appuyé suffisamment longtemps durant l'étape d'affectation	Éteignez l'émetteur et répétez le processus d'affectation. Maintenez enfoncé le bouton d'affectation jusqu'à ce que le récepteur soit affecté
	Émetteur trop près de l'aéronef lors du processus d'établissement de liaison	Déplacez l'émetteur allumé à quelques pas de l'aéronef, déconnectez la batterie de vol de l'aéronef et reconnectez-la
	L'aéronef ou l'émetteur se trouve trop près d'un objet de forte taille en métal	Déplacez l'aéronef ou l'émetteur à bonne distance de l'objet de forte taille en métal
	Prise d'affectation incorrectement installée dans le port d'affectation ou dans l'extension du port d'affectation	Procédez à une nouvelle affectation émetteur/aéronef et enlevez la prise d'affectation avant de couper/remettre l'alimentation en route
	Aéronef affecté à une mémoire de modèle différente (radio ModelMatch uniquement)	Sélectionnez la mémoire de modèle correcte sur l'émetteur
	La charge de la batterie de vol/de la batterie de l'émetteur est trop faible	Remplacez/rechargez les batteries
	Il se peut que l'émetteur ait été affecté en utilisant un protocole DSM différent	Affectez l'aéronef à l'émetteur

Problème	Cause possible	Solution
La gouverne ne bouge pas	La gouverne, bras de commande, tringlerie ou servo endommagé	Remplacez ou réparez les pièces endommagées et Remplacez ou réparez les commandes
	Câblage endommagé ou connexions lâches	Contrôlez les câbles et les connexions, connectez ou remplacez si besoin
	L'émetteur n'est pas affecté correctement ou il y a eu sélection d'un modèle incorrect	Effectuez une nouvelle affectation ou sélectionnez le modèle correct dans l'émetteur
	La charge de la batterie de vol est faible	Rechargez complètement la batterie de vol
	Le circuit BEC (Battery Elimination Circuit) du contrôleur (ESC) est endommagé	Remplacez le contrôleur (ESC)
Commandes inversées	Les réglages de l'émetteur sont inversés	Effectuez les essais de direction des commandes et réglez les commandes au niveau de l'émetteur en fonction des résultats
Les gouvernes de l'avion ne pivotent pas après que l'interrupteur soit placé en position ON	L'avion a été déplacé durant l'initialisation	Gardez l'avion immobile durant l'initialisation

## Pièces de rechange

Référence	Description
EFLA1030FB	Variateur ESC téléométrique 30 A
HBZ3101	Ensemble aile
HBZ3102	Fuselage
HBZ3103	Ensemble queue
HBZ3104	Capot
HBZ3105	Ensemble tige poussoir
HBZ3106	Train avant
HBZ3107	Train d'atterrissage principal
HBZ3108	Pare-feu et support moteur
HBZ3109	Bras et sangle de montage du train avant
HBZ3110	Trappe de batterie
HBZ3111	Roues ; 58 mm (3)
HBZ3114	Cône ; 34 mm
HBZ3115	Ensemble matériel
HBZ3116	Adaptateur d'hélice
HBZ3118	Feuillet d'autocollants
SPMAR631	Récepteur AS3X/SAFE 6 canaux AR631
SPMR1010	Émetteur DXS uniquement
SPMSA381	Servo 9 g sub-micro : câble de 400 mm
SPMSA382	Servo sub-micro MG 14 g, câble de 240 mm
SPMX13003S30M	Li-Po 30C Smart 11,1 V 3S 1300 mAh ; IC3
SPMXAM1900	14 pôles 2832-1300 Kv
SPMXC1020	Chargeur Smart S120 USB-C, 1x20 W

## Pièces recommandées

Référence	Description
SPMXPSA200	Smart G2 Air Powerstage 2

## Pièces facultatives

Référence	Description
HBZ3113	Fils de montage des flotteurs : MiniApprentice
HBZ7390	Ensemble flotteurs
SPMR6775	Émetteur uniquement 6 canaux NX6
RFL1205	Simulateur de vol RC RealFlight Trainer Edition
SPMWS2000	Clé électronique USB sans fil pour simulateur WS2000
SPMXPSA3	Ensemble 3S pour avion Powerstage Smart
SPMXC1070	Chargeur Smart c.a./c.c. S150, 1 x 50 W
SPMXBC100	Batterie Smart et testeur de servo
SPMXC2050	Chargeur Smart c.a. 1 x 55 W G2 S155

## Matériel

Emplacement	Description	Quantité
Cône	Vis mécanique M2,5 x 5 mm	1
Capot	Autotaraudeuse M2 x 4 mm	3
Support moteur	Autotaraudeuse M3 x 8 mm	4
Moteur	Vis mécanique M3 x 6 mm	4
Sangle de train avant	Autotaraudeuse M2,5 x 8 mm	4
Vis de réglage du train avant	Vis mécanique M3 x 6 mm	1
Sangle du train d'atterrissage	Autotaraudeuse M2,5 x 8 mm	8
Bague de roue	Vis mécanique M2,5 x 4 mm	3
Stabilisateur vertical	Autotaraudeuse M2,5 x 8 mm	2
Guignols de commande	Vis mécanique M2 x 8 mm	8

## Glossaire des termes importants

**Aileron** : gouverne se trouvant sur le bord de fuite de chaque aile. Une entrée de commande d'ailerons vers la droite fait lever l'aileron droit et baisser l'aileron gauche pour que l'avion réalise un mouvement de roulis vers la droite. Une entrée de commande d'ailerons vers la gauche, fait lever l'aileron gauche et baisser l'aileron droit pour que l'avion réalise un mouvement de roulis vers la gauche.

**AS3X** : stabilisation active, 3 axes. Un système de stabilité électronique qui contre les forces extérieures comme le vent, les turbulences, le couple, le décrochage d'extrémité, les problèmes de sensibilité de la commande dus à la position du CG pour que l'avion vole de manière plus fluide et offrir une meilleure expérience de pilotage.

**Affectation** : le processus permettant d'établir une liaison électronique entre l'émetteur et le récepteur. L'avion ne reconnaîtra alors qu'un seul émetteur en particulier.

**Centre de gravité (CG)** : point au niveau duquel l'avion est équilibré, principalement de l'avant vers l'arrière.

**manille** : le raccord en forme de U à l'extrémité des barres de liaison de l'avion permettant l'ajustement de la longueur des barres de liaison.

**Course de commande** : la distance sur laquelle une gouverne se déplace, généralement mesurée à partir du point le plus large de la gouverne.

**Dièdre** : Angle positif ou ascendant de l'aile de la base au saumon. L'ajout d'un dièdre à l'aile améliore la stabilité dans l'axe de roulis.

**Double débattement** : réglage présent sur l'émetteur permettant deux distances de course de commande différentes lorsque la manette de commande est complètement poussée. Un petit débattement offre moins de course de commande sur un mouvement complet et donc moins de sensations au niveau du pilotage de l'avion. Un grand débattement offre plus de course de commande sur un mouvement complet et donc plus de sensations au niveau du pilotage de l'avion.

**Gouverne de profondeur** : gouverne se trouvant sur le bord de fuite du stabilisateur horizontal. Lorsque la gouverne de profondeur s'élève, l'appareil cabre. Lorsque la gouverne de profondeur s'abaisse, l'appareil pique.

**Variateur de vitesse électronique (ESC)** : un dispositif électronique qui contrôle et régule la vitesse du moteur. Il est connecté à la batterie, au moteur et au récepteur.

**Exponentiel** : un réglage programmé sur l'émetteur permettant au pilote d'ajuster la sensibilité des commandes autour du point neutre. Une augmentation de la valeur d'exponentiel crée une sensation de contrôle plus douce autour du point neutre, ce qui rend l'appareil moins sensible aux entrées de commande. L'exponentiel n'affecte les commandes qu'autour du point neutre.

## Garantie limitée

### Durée de la garantie

Garantie exclusive - Horizon Hobby, LLC (Horizon) garantit que le Produit acheté (le « Produit ») sera exempt de défauts matériels et de fabrication à sa date d'achat par l'Acheteur. La durée de garantie correspond aux dispositions légales du pays dans lequel le produit a été acquis. La durée de garantie est de 6 mois et la durée d'obligation de garantie de 18 mois à l'expiration de la période de garantie.

### Limitations de la garantie

(a) La garantie est donnée à l'acheteur initial (« Acheteur ») et n'est pas transférable. Le recours de l'acheteur consiste en la réparation ou en l'échange dans le cadre de cette garantie. La garantie s'applique uniquement aux produits achetés chez un revendeur Horizon agréé. Les ventes faites à des tiers ne sont pas couvertes par cette garantie. Les revendications en garantie seront acceptées sur fourniture d'une preuve d'achat valide uniquement. Horizon se réserve le droit de modifier les dispositions de la présente garantie sans avis préalable et révoque alors les dispositions de garantie existantes.

(b) Horizon n'endosse aucune garantie quant à la vendabilité du produit ou aux capacités et à la forme physique de l'utilisateur pour une utilisation donnée du produit. Il est de la seule responsabilité de l'acheteur de vérifier si le produit correspond à ses capacités et à l'utilisation prévue.

(c) Recours de l'acheteur – Il est de la seule discrétion d'Horizon de déterminer si un produit présentant un cas de garantie sera réparé ou échangé. Ce sont là

**Coupure par tension faible (LVC)** : une fonctionnalité de sécurité intégrée dans le variateur de vitesse électronique qui s'active lorsque la tension de la batterie diminue en dessous d'un niveau déterminé. Elle coupe l'alimentation du moteur mais continue d'alimenter le récepteur et les servos pour permettre à l'appareil d'atterrir en toute sécurité.

**Tangage** : la rotation du nez de l'appareil vers le haut ou le bas, contrôlée par la gouverne de profondeur.

**Test de portée** : test permettant de vérifier que l'émetteur et le récepteur fonctionnent correctement. Le test est réalisé en mettant l'émetteur en mode faible puissance et en testant la fonction de commande depuis une distance déterminée.

**Récepteur** : un dispositif électronique installé dans l'avion qui décode les entrées de commande envoyées par l'émetteur et envoie les entrées aux servos.

**Roulis** : rotation vers la gauche et la droite de l'appareil autour de l'axe longitudinal.

**Gouverne de direction** : gouverne se trouvant sur le bord de fuite du stabilisateur vertical. Un mouvement vers la droite de la gouverne de direction fait tourner le nez de l'appareil vers la droite. Un mouvement vers la gauche de la gouverne de direction fait tourner le nez de l'appareil vers la gauche.

**Technologie SAFE (protection du domaine de vol avec assistance de capteurs)** : elle offre une capacité de vol plus fluide qui affronte les conditions de vent pour vous ainsi que différents modes afin que vous puissiez piloter avec le niveau de protection et d'assistance adapté à n'importe quel moment du vol.

**Servo** : composant électronique qui traduit les signaux de commande provenant du récepteur en mouvement d'une gouverne. Le servo est raccordé à la gouverne par le biais d'une barre de liaison.

**Gaz** : entrée de commande qui régule la vitesse du moteur. Un réglage de gaz plus élevé fait tourner le moteur plus vite, ce qui augmente la poussée vers l'avant. Un réglage de gaz plus faible fait tourner le moteur plus lentement, ce qui diminue la poussée vers l'avant.

**Émetteur** : unité de commande tenue par le pilote qui envoie des signaux à l'avion.

**Lacet** : rotation vers la gauche ou la droite du nez de l'avion, contrôlée par la gouverne de direction.

les recours exclusifs de l'acheteur lorsqu'un défaut est constaté.

Horizon se réserve la possibilité de vérifier tous les éléments utilisés et susceptibles d'être intégrés dans le cas de garantie. La décision de réparer ou de remplacer le produit est du seul ressort d'Horizon. La garantie exclut les défauts esthétiques ou les défauts provoqués par des cas de force majeure, une manipulation incorrecte du produit, une utilisation incorrecte ou commerciale de ce dernier ou encore des modifications de quelque nature qu'elles soient.

La garantie ne couvre pas les dégâts résultant d'un montage ou d'une manipulation erronés, d'accidents ou encore du fonctionnement ainsi que des tentatives d'entretien ou de réparation non effectuées par Horizon. Les retours effectués par le fait de l'acheteur directement à Horizon ou à l'une de ses représentations nationales requièrent une confirmation écrite.

### Limitation des dégâts

Horizon ne saurait être tenu pour responsable de dommages conséquents directs ou indirects, de pertes de revenus ou de pertes commerciales, liés de quelque manière que ce soit au produit et ce, indépendamment du fait qu'un recours puisse être formulé en relation avec un contrat, la garantie ou l'obligation de garantie. Par ailleurs, Horizon n'acceptera pas de recours issus d'un cas de garantie lorsque ces recours dépassent la valeur unitaire du produit. Horizon n'exerce aucune influence sur le montage, l'utilisation ou la maintenance du produit ou sur d'éventuelles combinaisons de produits



choisies par l'acheteur. Horizon ne prend en compte aucune garantie et n'accepte aucun recours pour les blessures ou les dommages pouvant en résulter. En utilisant et en montant le produit, l'acheteur accepte sans restriction ni réserve toutes les dispositions relatives à la garantie figurant dans le présent document.

Si vous n'êtes pas prêt, en tant qu'acheteur, à accepter ces dispositions en relation avec l'utilisation du produit, nous vous demandons de restituer au vendeur le produit complet, non utilisé et dans son emballage d'origine.

#### Indications relatives à la sécurité

Ceci est un produit de loisirs perfectionné et non un jouet. Il doit être utilisé avec précaution et bon sens et nécessite quelques aptitudes mécaniques ainsi que mentales. L'incapacité à utiliser le produit de manière sûre et raisonnable peut provoquer des blessures et des dégâts matériels conséquents. Ce produit n'est pas destiné à être utilisé par des enfants sans la surveillance par un tuteur. La notice d'utilisation contient des indications relatives à la sécurité ainsi que des indications concernant la maintenance et le fonctionnement du produit. Il est absolument indispensable de lire et de comprendre ces indications avant la première mise en service. C'est uniquement ainsi qu'il sera possible d'éviter une manipulation erronée et des accidents entraînant des blessures et des dégâts.

#### Questions, assistance et réparations

Votre revendeur spécialisé local et le point de vente ne peuvent effectuer une estimation d'éligibilité à l'application de la garantie sans avoir consulté Horizon. Cela vaut également pour les réparations sous garantie. Vous voudrez bien, dans un tel cas, contacter le revendeur qui conviendra avec Horizon d'une décision appropriée, destinée à vous aider le plus rapidement possible.

#### Maintenance et réparation

Si votre produit doit faire l'objet d'une maintenance ou d'une réparation, adressez-vous soit à votre revendeur spécialisé, soit directement à Horizon.

Emballer le produit soigneusement. Veuillez noter que le carton d'emballage d'origine ne suffit pas, en règle générale, à protéger le produit des dégâts pouvant survenir pendant le transport. Faites appel à un service de messagerie proposant une fonction de suivi et une assurance, puisque Horizon ne prend aucune responsabilité pour l'expédition du produit jusqu'à sa réception acceptée. Veuillez joindre une preuve d'achat, une description détaillée des défauts ainsi qu'une liste de tous les éléments distincts envoyés. Nous avons de plus besoin d'une adresse complète, d'un numéro de téléphone (pour demander des renseignements) et d'une adresse de courriel.

#### Garantie et réparations

Les demandes en garantie seront uniquement traitées en présence d'une preuve d'achat originale émanant d'un revendeur spécialisé agréé, sur laquelle figurent le nom de l'acheteur ainsi que la date d'achat. Si le cas de garantie est confirmé, le produit sera réparé. Cette décision relève uniquement de Horizon Hobby.

#### Réparations payantes

En cas de réparation payante, nous établissons un devis que nous transmettons à votre revendeur. La réparation sera seulement effectuée après que nous ayons reçu la confirmation du revendeur. Le prix de la réparation devra être acquitté au revendeur. Pour les réparations payantes, nous facturons au minimum 30 minutes de travail en atelier ainsi que les frais de réexpédition. En l'absence d'un accord pour la réparation dans un délai de 90 jours, nous nous réservons la possibilité de détruire le produit ou de l'utiliser autrement.

**ATTENTION : Nous n'effectuons de réparations payantes que pour les composants électroniques et les moteurs. Les réparations touchant à la mécanique, en particulier celles des hélicoptères et des voitures radiocommandées, sont extrêmement coûteuses et doivent par conséquent être effectuées par l'acheteur lui-même.**

10/15

## Informations de contact

Pays d'achat	Horizon Hobby	Numéro de téléphone/Adresse de courriel	Adresse
Union européenne	Horizon Technischer Service Sales: Horizon Hobby GmbH	service@horizonhobby.eu +49 (0) 4121 2655 100	Hanskampring 9 D 22885 Barsbüttel, Germany

## Information IC

### CAN ICES-3 (B)/NMB-3(B)

Contains IC: 6157A-KATY1T

IC: 6157A-SPMSR6200A

Ce dispositif contient un/des émetteur(s)/récepteur(s) non soumis à licence conforme(s) aux CNR d'Innovation, Sciences et Développement économique Canada. Son utilisation est soumise aux deux conditions suivantes :

1. Cet appareil ne doit pas causer d'interférences.
2. Cet appareil doit accepter toutes les interférences, y compris celles pouvant entraîner un dysfonctionnement.

## Informations de conformité pour l'Union Européenne

### EU Compliance Statement:

**HBZ Apprentice S 2 1.2m RTF (HBZ310001);** Par la présente, Horizon Hobby, LLC déclare que cet appareil est conforme aux directives suivantes : Directive relative aux équipements radioélectriques 2014/53/UE ; Directive CEM 2014/30/UE ; Directive RoHS 2 2011/65/U ; Directive RoHS 3 - Modifiant 2011/65/UE Annexe II 2015/863.

**REMARQUE:** Ce produit contient des batteries couvertes par la directive européenne 2006/66 / EC, qui ne peuvent pas être jetées avec les déchets ménagers. Veuillez respecter les réglementations locales.

**HBZ Apprentice S 2 1.2m BNF Basic (HBZ315001);** Par la présente, Horizon Hobby, LLC déclare que cet appareil est conforme aux directives suivantes : Directive relative aux équipements radioélectriques 2014/53/UE ; Directive CEM 2014/30/UE ; Directive RoHS 2 2011/65/U ; Directive RoHS 3 - Modifiant 2011/65/UE Annexe II 2015/863.

Le texte complet de la déclaration de conformité UE est disponible à l'adresse Internet suivante : <https://www.horizonhobby.com/content/support-render-compliance>.

### Gamme de fréquences sans fil / Puissance de sortie sans fil

#### Émetteur

2402.0 - 2478.0MHz

17.7 dBm

#### Récepteur:

2404-2476MHz

5.58dBm

### Fabricant officiel de l'UE :

Horizon Hobby, LLC  
2904 Research Road  
Champaign, IL 61822 USA

### Importateur officiel de l'UE :

Horizon Hobby, GmbH  
Hanskampring 9  
22885 Barsbüttel Germany

### DIRECTIVE DEEE :



L'étiquette de cet appareil respecte la directive européenne 2012/19/UE en matière de déchets des équipements électriques et électroniques (DEEE). Cette étiquette indique que ce produit ne doit pas être jeté avec les déchets ménagers, mais déposé dans une installation appropriée afin de permettre sa récupération et son recyclage.

**AVVISO**

Tutte le istruzioni, le garanzie e altri documenti pertinenti sono soggetti a modifiche a totale discrezione di Horizon Hobby, LLC. Per una documentazione aggiornata sul prodotto, visitare il sito [www.horizonhobby.com](http://www.horizonhobby.com) o [towerhobbies.com](http://towerhobbies.com) e fare clic sulla sezione Support del prodotto.


**Convenzioni Terminologiche:**

I seguenti termini vengono utilizzati in tutta la documentazione relativa al prodotto per indicare il livello di eventuali danni connessi all'utilizzo di questo prodotto:


**AVVERTENZA:** indica procedure che, se non debitamente seguite, determinano la probabilità di danni alle cose, danni collaterali e gravi lesioni alle persone OPPURE una probabilità elevata di lesioni superficiali alle persone.

**ATTENZIONE:** indica procedure che, se non debitamente seguite, determinano la probabilità di danni alle cose E la possibilità di gravi lesioni alle persone.

**AVVISO:** indica procedure che, se non debitamente seguite, possono determinare la possibilità di danni alle cose E la possibilità minima o nulla di lesioni alle persone.

 **AVVERTENZA:** leggere PER INTERO il manuale di istruzioni per acquisire dimestichezza con le caratteristiche del prodotto prima di metterlo in funzione. Un uso improprio del prodotto può causare danni al prodotto stesso e ai beni personali e provocare gravi lesioni alle persone.

Questo è un prodotto sofisticato per appassionati di modellismo. Deve essere utilizzato in modo attento e responsabile e richiede alcune conoscenze basilari di meccanica. L'uso improprio o irresponsabile di questo prodotto potrebbe causare lesioni alle persone o danni al prodotto stesso o ad altre cose. Questo prodotto non deve essere utilizzato dai bambini senza la diretta supervisione di un adulto. Non utilizzare componenti incompatibili o modificare il prodotto in maniera diversa da quanto riportato nelle istruzioni fornite da Horizon Hobby, LLC. Il presente manuale contiene le istruzioni per la sicurezza, l'uso e la manutenzione del prodotto. È fondamentale leggere e seguire tutte le istruzioni e le avvertenze riportate nel manuale prima di montare, impostare o usare il prodotto per poterlo utilizzare correttamente ed evitare di causare danni alle cose o gravi lesioni alle persone.

 **ATTENZIONE AI PRODOTTI CONTRAFFATTI:** se è necessario sostituire la ricevente Spektrum in dotazione con uno dei prodotti Horizon Hobby, si raccomanda di acquistare sempre da Horizon Hobby, LLC o da un suo rivenditore autorizzato per essere certi dell'autenticità e della qualità del prodotto Spektrum. Horizon Hobby, LLC nega ogni assistenza tecnica e garanzia a titolo esemplificativo, ma non esaustivo in merito alla compatibilità e alle prestazioni di prodotti contraffatti o dichiarati compatibili con la tecnologia DSM o Spektrum.

**ETÀ CONSIGLIATA:** almeno 14 anni. Questo non è un giocattolo.

## Precauzioni e avvertenze sulla sicurezza

L'utente di questo prodotto è l'unico responsabile del corretto utilizzo del medesimo in modo tale da non risultare pericoloso per sé stesso e gli altri e da non danneggiare il prodotto stesso o i beni altrui.

- Mantenere sempre la distanza di sicurezza in tutte le direzioni attorno al modello per evitare collisioni o danni. Questo modello è controllato da un segnale radio soggetto a interferenze provenienti da diverse sorgenti non controllabili dall'utilizzatore. Tali interferenze possono provocare perdite momentanee di controllo.
- Utilizzare sempre il modello in spazi liberi da veicoli, traffico e persone.
- Seguire sempre scrupolosamente le istruzioni e le avvertenze sia per il modello che per tutti gli accessori (caricabatteria, pacchi batteria ricaricabili, ecc.).
- Tenere sempre le sostanze chimiche, le parti piccole e i componenti elettrici fuori dalla portata dei bambini.
- Evitare sempre il contatto con l'acqua di tutte le apparecchiature che non sono state appositamente progettate a tale scopo. L'umidità danneggia i

componenti elettronici.

- Non mettere in bocca le parti del modello. Potrebbe essere pericoloso e persino mortale.
- Non utilizzare il modello se le batterie della trasmittente sono poco cariche.
- Tenere sempre il velivolo in vista e sotto controllo.
- Usare sempre batterie completamente cariche.
- Tenere sempre la trasmittente accesa quando il velivolo viene alimentato.
- Rimuovere sempre le batterie prima dello smontaggio.
- Tenere sempre pulite le parti mobili.
- Tenere sempre i componenti asciutti.
- Lasciare sempre che i componenti si raffreddino dopo l'uso prima di toccarli.
- Rimuovere sempre le batterie dopo l'uso.
- Accertarsi sempre che il failsafe sia impostato correttamente prima del volo.
- Non utilizzare mai velivoli con cablaggi danneggiati.
- Non toccare mai le parti in movimento.

## Registrazione

Registra il tuo prodotto oggi stesso per unirti alla nostra mailing list e ricevere tutti gli aggiornamenti sui prodotti, le offerte e le novità Hobby Zone.



## Indice

Registrazione.....	83
Guida al completamento.....	83
Utensili necessari.....	83
Aircraft Components.....	84
Aircraft Assembly.....	85
Trasmittente DXS Spektrum.....	87
Installazione della batteria di volo e attivazione del regolatore elettronico della velocità (ESC).....	88
Baricentro (CG).....	89
Verifica della direzione dei comandi.....	90
Prima del primo volo.....	90
Scegliere un campo di volo.....	91
Test di portata.....	91
Controllo del volo.....	92
Tecnologia SAFE (Sensor Assisted Flight Envelope).....	93
Controlli pre-volo.....	95
Volo.....	95
Regolazione dei trim.....	97
Dopo il volo.....	98
Connessione trasmittente/ricevente.....	98
Addestramento al volo.....	99
Configurazione di una trasmittente opzionale.....	100
Galleggianti opzionali (decollo e atterraggio sull'acqua).....	102
Manutenzione e riparazioni.....	103
Guida alla soluzione dei problemi per la tecnologia SAFE.....	104
Guida alla soluzione dei problemi.....	104
Parti di ricambio.....	105
Parti consigliate.....	105
Parti opzionali.....	105
Bulloneria.....	105
Glossario dei termini importanti.....	106
Garanzia.....	106
Garanzia e Assistenza - Informazioni per i contatti.....	107
Dichiarazione di conformità per l'Unione europea.....	107

Elementi inclusi	
<b>Trasmittente</b>	Spektrum DXS 2,4 GHz (SPMR1010)
<b>Batterie della trasmittente</b>	4 alcaline AA
<b>Ricevitore</b>	Spektrum AR631 6 CH AS3X/SAFE (SPMAR631)
<b>ESC</b>	30 A 3S/4S ESC con telemetria (EFLA1030FB)
<b>Motore</b>	2832-1300 Kv 14 poli (SPMXAM1900)
<b>Elica</b>	8,25 x 5,5 (EFLP82555)
<b>Servo</b>	(2) Alettoni, A381 9 g Sub-Micro (SPMSA381) (1) Equilibratore, A382 14 g Sub-Micro MG (SPMSA382) (1) Timone/ruota anteriore, A382 14 g Sub-Micro MG (SPMSA382)

Accessori richiesti	
<b>Batteria di bordo</b>	3S 11,1V 1300 mAh LiPo con connettore IC3
<b>Caricabatterie</b>	Compatibile con batterie 3S LiPo

Elementi consigliati	
SPMXPSA200	Smart G2 Air Powerstage 2

Accessori opzionali	
HBZ3113	Cavi montaggio galleggianti: MiniApprentice
HBZ7390	Kit galleggianti: Super Cub LP
SPMR6775	NX6 6 CH solo trasmittente
RFL1205	Simulatore di volo RC RealFlight Trainer Edition
SPMWS2000	Dongle USB simulatore wireless WS2000
SPMXPSA3	Smart Powerstage Aircraft 3S Bundle
SPMXC1070	Caricabatterie Smart S150 AC/DC 1x50 W
SPMXBC100	Tester servo e batterie Smart

## Guida al completamento

Scannerizza questo QR Code per accedere alla guida al completamento per informazioni sul bundle batterie e caricabatterie Powerstage raccomandato.

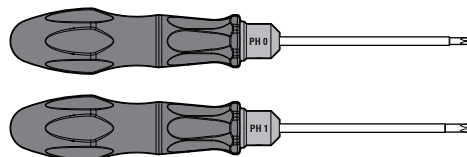


HBZ310001



HBZ315001

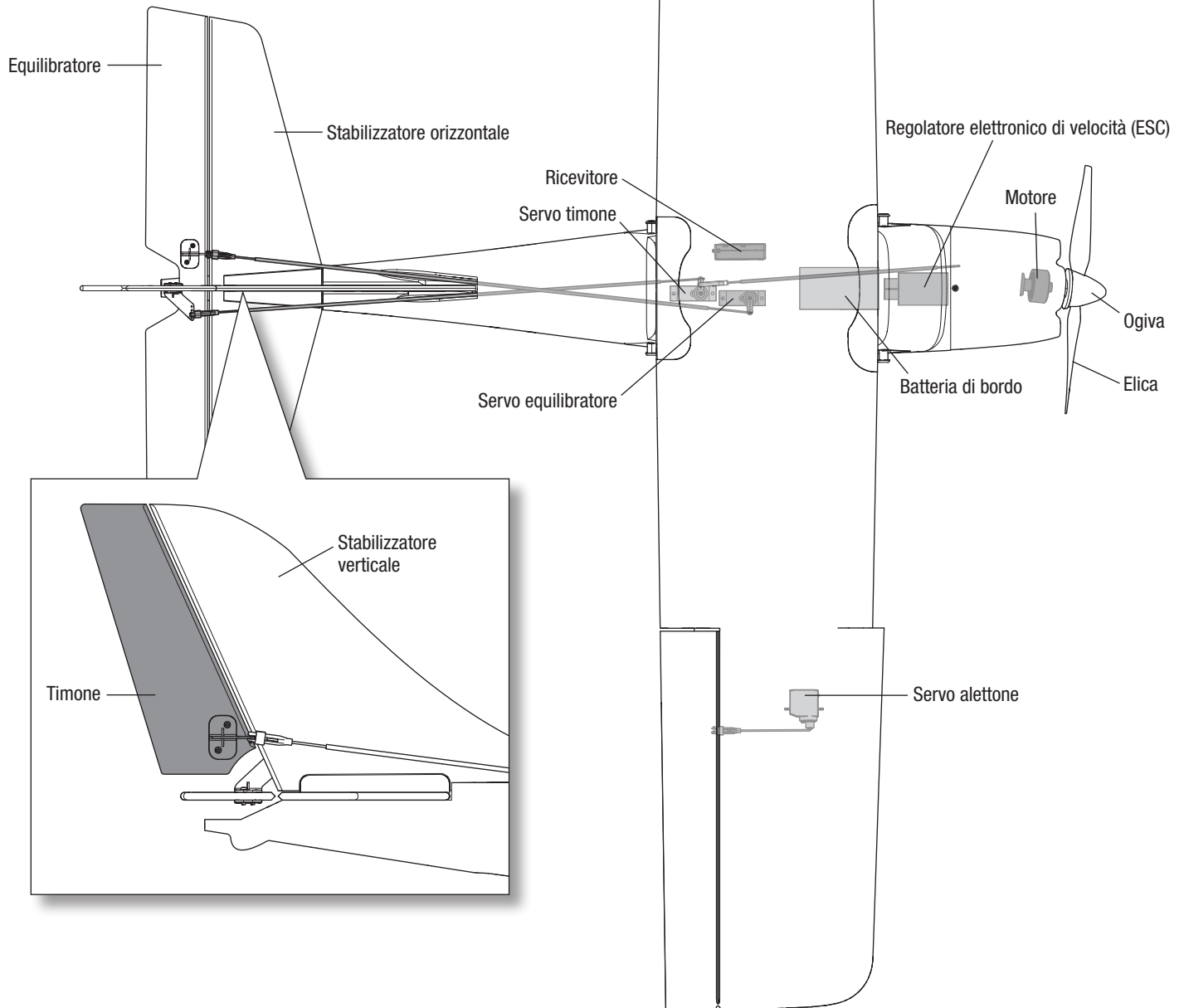
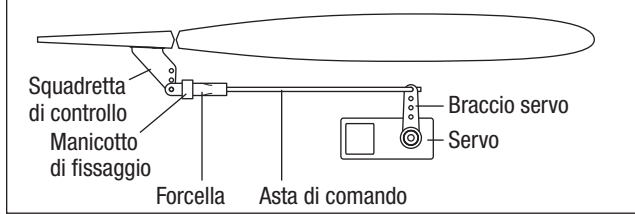
## Utensili necessari



- Cacciaviti a croce (#0, #1)

# Aircraft Components

## Componenti di controllo tipici



## Aircraft Assembly

Raccomandiamo di leggere ogni sezione di questo manuale prima di procedere con il montaggio secondo i passi indicati. Raccomandiamo inoltre di guardare l'intero video di assemblaggio scansionando questo QR Code o utilizzando questo URL: [www.horizonhobby.cc/ApprenticeS2assembly](http://www.horizonhobby.cc/ApprenticeS2assembly).



Video di montaggio

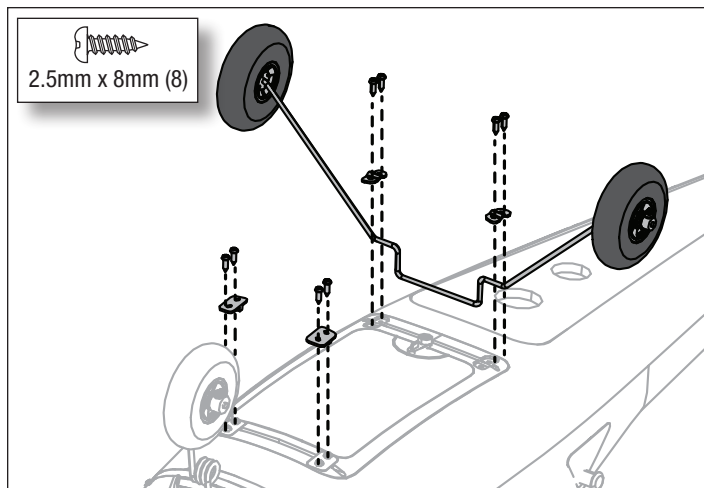
### Montaggio del carrello di atterraggio

L'Apprentice S 2 1.2m include quanto necessario per montare le ruote e i montanti per i galleggianti opzionali (i galleggianti non sono inclusi).

1. Montare il carrello principale nella tasca sul fondo della fusoliera.
2. Montare i due fermi del carrello di atterraggio sul gruppo del carrello come mostrato, fissandoli con quattro viti a croce da 2,5 mm x 8 mm e un cacciavite a croce PH#1.

**IMPORTANTE:** non serrare eccessivamente le viti nella plastica. Serrare le viti fino a fissare saldamente i fermi in sede e il carrello di atterraggio non risulta lasco, ma non oltre.

3. Installare i fermi dei montanti dei galleggianti opzionali, fissandoli con quattro viti a croce da 2,5 x 8 mm e un cacciavite a croce PH#1, per evitare che i fermi possano perdersi. Questi fermi sono necessari per l'installazione dei cavi di montaggio dei galleggianti.



### Montaggio del piano di coda

Si consiglia di guardare il capitolo/sezione "Installazione della coda" del video che descrive il montaggio scansionando il QR Code accanto o utilizzando l'URL che segue: [www.horizonhobby.cc/ApprenticeS2assembly](http://www.horizonhobby.cc/ApprenticeS2assembly).

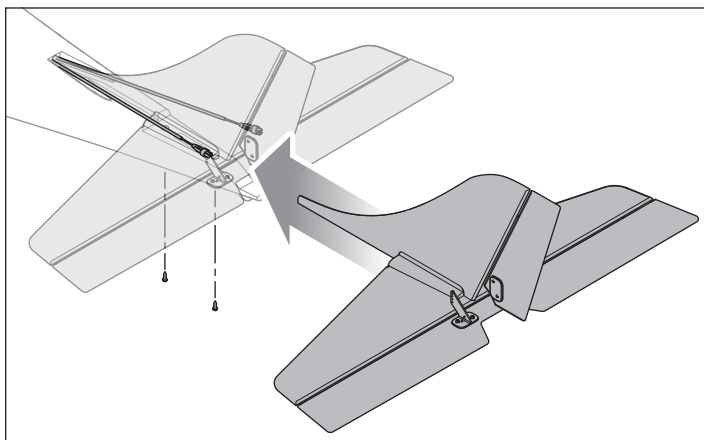
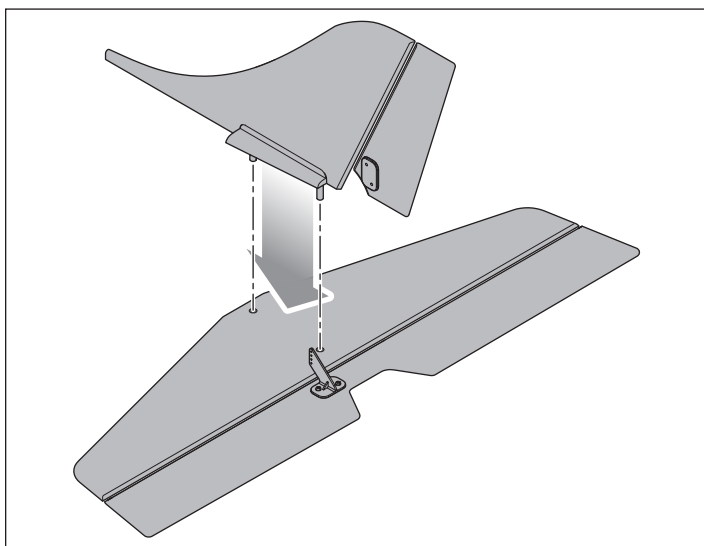
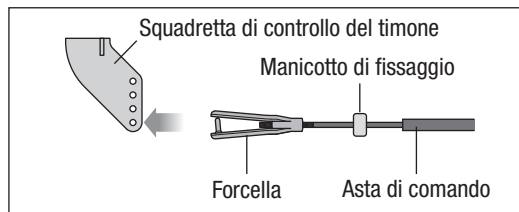


Video di montaggio

1. Inserire i due perni alla base dello stabilizzatore verticale attraverso i fori dello stabilizzatore orizzontale, come illustrato.
2. Guidare il gruppo di coda sotto e tra i leveraggi di comando e inserire i perni dello stabilizzatore verticale nei fori corrispondenti nel retro della fusoliera.
3. Dal lato inferiore della fusoliera, con un cacciavite a croce PH#1, montare due viti a croce da 2,5 x 8 mm attraverso i fori nella fusoliera e nei perni dello stabilizzatore verticale.

**IMPORTANTE:** non serrare eccessivamente le viti nella plastica. Stringere le viti fino a fissare gli stabilizzatori verticali e orizzontali saldamente in sede, ma non oltre.

4. Fissare le forcelle delle squadrette di equilibratore e timone aprendole con delicatezza, inserendo il perno della forcella nel foro più esterno della squadretta e richiudendo il lato della forcella sul perno della stessa, catturando così la squadretta tra i bracci della forcella.
5. Far scorrere il manicotto di tenuta sopra la forcella per evitare che i lati della forcella si aprano.



## Montaggio dell'ala

Si consiglia di guardare il capitolo/sezione "Installazione dell'ala" del video di montaggio scansionando il QR Code accanto o utilizzando l'URL che segue: [www.horizonhobby.cc/ApprenticeS2assembly](http://www.horizonhobby.cc/ApprenticeS2assembly).



### Video di montaggio

L'ala dell'Apprentice S 2 1.2 m viene fissata alla fusoliera usando quattro delle bande elastiche in dotazione. Questo metodo di montaggio permette all'ala di muoversi o separarsi dalla fusoliera in caso di atterraggio duro o di schianto, riducendo al minimo i danni alla cellula. Si sconsiglia di usare più di quattro bande elastiche per evitare di fissare troppo saldamente l'ala alla fusoliera.

1. Collegare i connettori dei servo degli alettoni al cablaggio a Y, marca "AIL", in fusoliera. I servo degli alettoni destro e sinistro possono essere collegati indifferenteemente a entrambi i connettori del cablaggio a Y. Assicurarsi che il cablaggio a Y sia collegato alla porta 2 del ricevitore. Entrambi gli alettoni devono essere collegati al cablaggio a Y e alla porta 2 del ricevitore affinché il sistema SAFE possa funzionare correttamente.

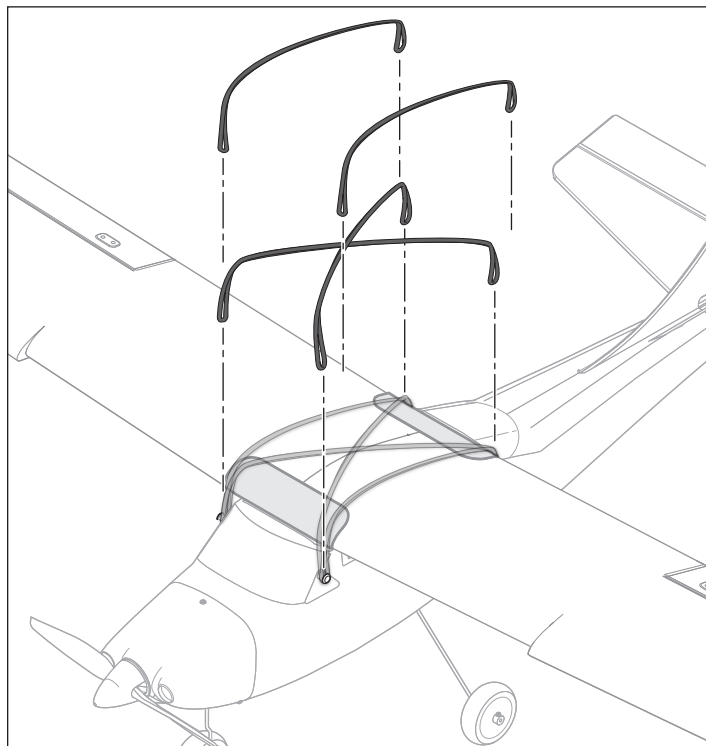
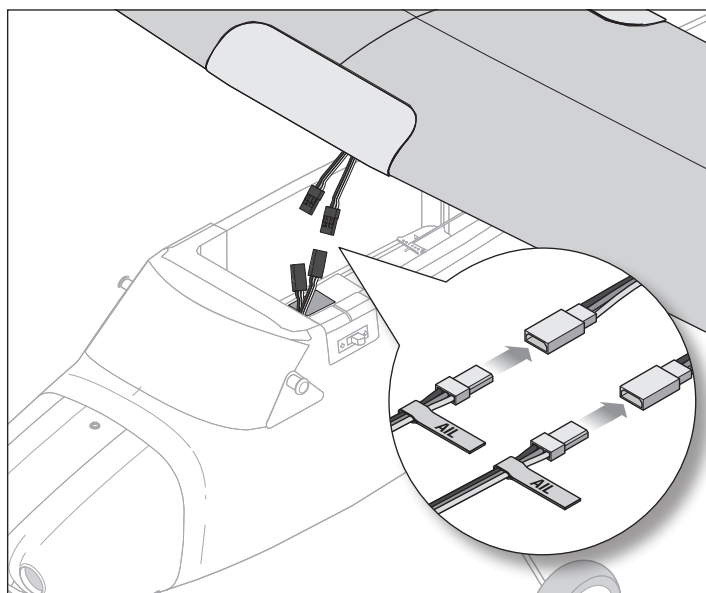
**IMPORTANTE:** assicurarsi che i connettori dei servo e il cablaggio a Y siano collegati rispettando la giusta polarità. I connettori hanno una piccola smussatura su due angoli che deve allinearsi con la smussatura corrispondente nei connettori del cablaggio a Y. Inoltre, i colori dei fili devono corrispondere tra servo e cablaggio a Y.

2. Centrare l'ala sulla fusoliera. La parte inferiore dell'ala deve trovarsi in piano con la parte superiore della corrispondente sella in fusoliera.

**IMPORTANTE:** accertarsi che i fili dei servo dell'alettone non rimangano schiacciati tra ala e fusoliera.

3. Fissare l'ala alla fusoliera installando quattro bande elastiche tra i perni anteriori e posteriori della fusoliera e sopra la parte superiore dell'ala.

**CONSIGLIO:** applicare le prime due bande in diagonale, partendo dal perno anteriore fino al perno posteriore sul lato opposto della fusoliera. applicare le altre due bande partendo dal perno anteriore fino al perno posteriore sullo stesso lato della fusoliera.



## Trasmittente DXS Spektrum

### Installazione delle batterie nella trasmittente

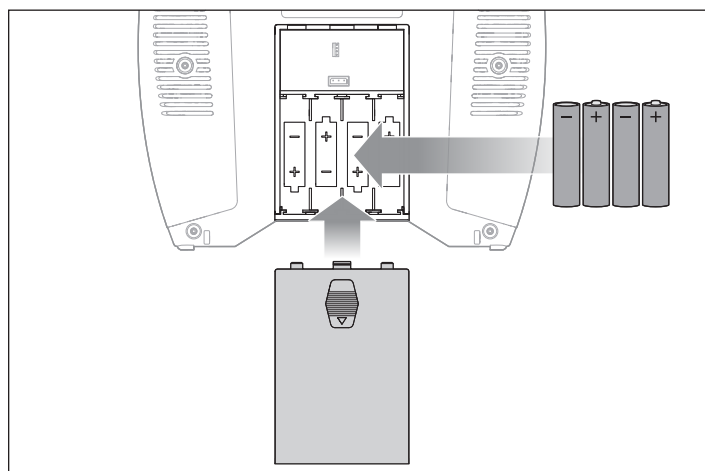
1. Rimuovere il coperchio del vano batteria.
2. Inserire le batterie AA in dotazione, rispettando la polarità.
3. Rimettere a posto il coperchio.

### Allarme batterie scariche

Quando la tensione delle batterie della trasmittente scende sotto i 4,7 V, viene emesso un allarme sonoro e i LED della tensione lampeggiano. Sostituire immediatamente le batterie. Se l'allarme si attiva durante il volo, atterrare il prima possibile.



**ATTENZIONE:** se si utilizzano batterie ricaricabili, ricaricare solo le batterie ricaricabili. Provare a ricaricare delle batterie non ricaricabili può provocarne l'esplosione, con danni o lesioni a cose e/o persone.



### Interruttori e LED della trasmittente

**Pulsante A = Pulsante Trainer/Bind/Panic:** questo pulsante è usato per controllare le funzioni Trainer, Bind e Panic Recovery Mode.

Vedere la sezione "addestramento al volo" per le istruzioni sull'uso della trasmittente come parte di un sistema di addestramento "buddy box".

Vedere la sezione "binding" per le istruzioni per la procedura di binding tra la trasmittente e l'aeromodello, se è necessario ripeterla. La trasmittente inclusa viene collegata al ricevitore/aeromobile in fabbrica e quindi il binding non è in genere necessario.

Vedere la sezione sulla tecnologia SAFE (Sensor Assisted Flight Envelope) per informazioni sulla modalità di recupero antipanico.

**Interruttore F = Interruttore Hi/Lo Rate:** questo interruttore viene utilizzato per le funzioni rateo alto e basso sui canali di alettoni, equilibratore e timone. Consigliamo i ratei bassi per i primi voli quando si impara a pilotare e per l'esecuzione di manovre più morbide e precise e i ratei alti per manovre più aggressive e acrobatiche.

Nella posizione superiore (HI), la corsa del servo è del 100% su questi canali. Nella posizione inferiore (LO), la corsa del servo diminuisce al 70%.

**Interruttore B = Interruttore della modalità di volo:** questo interruttore è usato per selezionare la modalità di volo SAFE. Vedere la sezione sulla tecnologia SAFE (Sensor Assisted Flight Envelope) per informazioni sulle modalità di volo SAFE.

**Interruttore H = Interruttore taglio gas:** questo interruttore attiva il taglio del comando del motore.

Con il taglio gas attivato (interruttore H, posizione 1), l'input del comando motore dallo stick del motore viene disattivato. Questa caratteristica di sicurezza evita che i movimenti accidentali dello stick del motore possano attivare il motore quando la batteria di volo è collegata e alimenta il sistema. Con il taglio gas disattivato (interruttore H, posizione 0), qualsiasi posizione dello stick del motore al di sopra dell'impostazione inferiore attiva il motore dell'aeromodello.

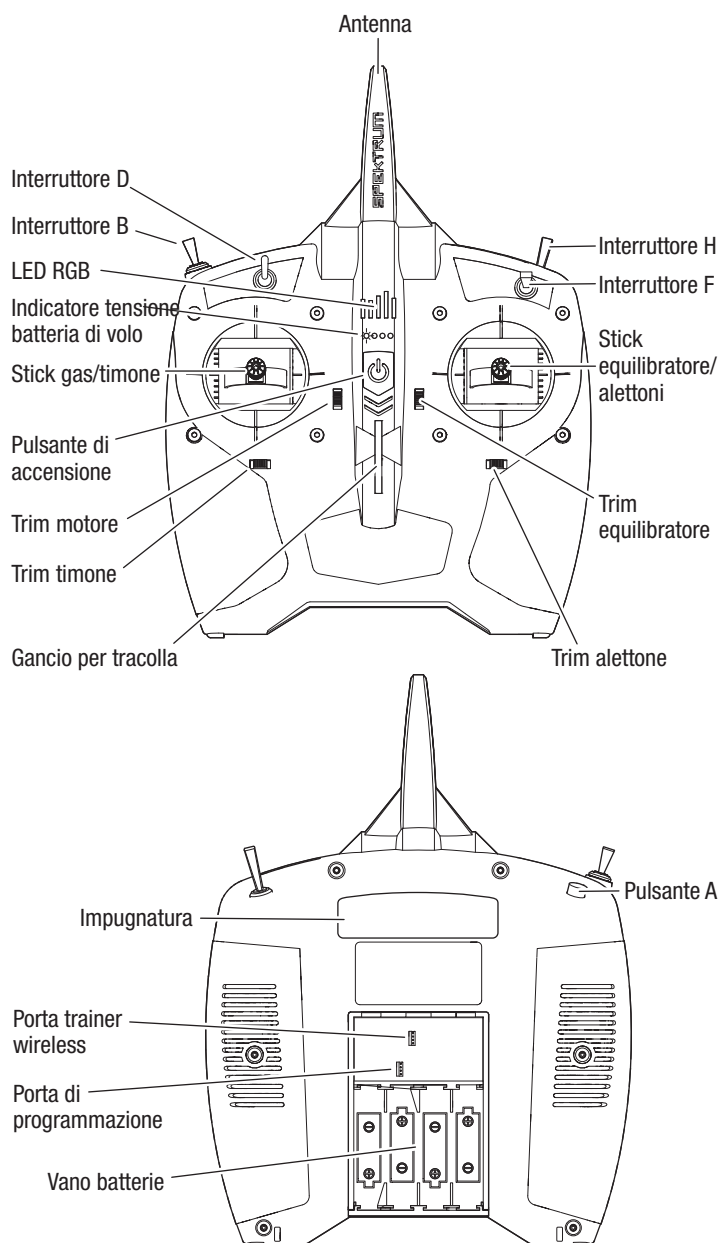
**AVVISO:** assicurarsi sempre che lo stick del motore sia alla posizione più bassa prima di spegnere la funzione di taglio del motore. In caso contrario si corre il rischio di danni agli ingranaggi.

**Interruttore D = Interruttore del canale 7:** questo interruttore non viene usato per questo aeromodello.

### LED RGB e indicazioni sonore:

**Lampeggiante con bip sonori:** La trasmittente è in modalità di binding, perché il pulsante di binding è stato tenuto premuto mentre la trasmittente era accesa. Vedere la sezione "binding" per maggiori informazioni.

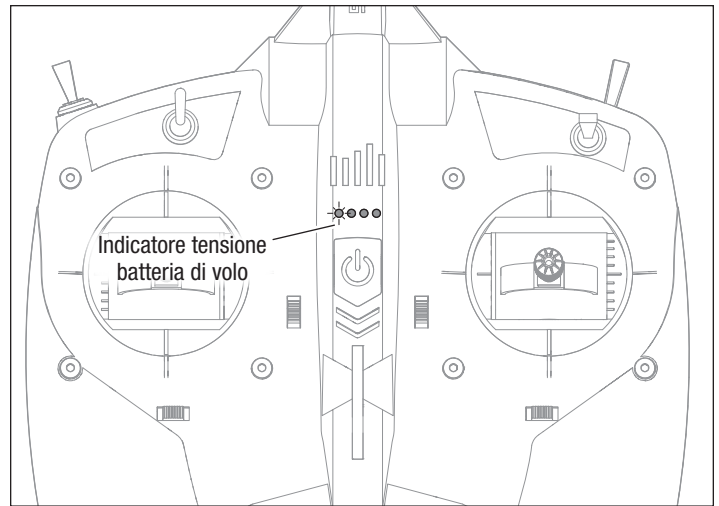
**Pulsa con un tono acustico basso ogni 2 secondi:** la tensione della batteria della trasmittente è scesa sotto i 4,7 V. Sostituire immediatamente le batterie della trasmittente. Se ciò accade durante il volo, atterrare il prima possibile.



## Indicatore tensione della batteria di volo

La trasmittente DXS inclusa è dotata di una funzione di indicatore della tensione della batteria di volo che funziona con i ricevitori, i controller di volo e gli ESC con capacità telemetriche compatibili con la tecnologia Smart. Questa funzione della tecnologia Smart fornisce una rappresentazione visiva della tensione/potenza residua approssimativa della batteria di volo tramite i quattro indicatori LED sulla trasmittente.

- Quando la batteria è completamente carica, tutti e quattro i LED si accendono in modo permanente.
- Alzando la manetta, la tensione della batteria scende, facendo sì che i LED indichino meno tensione e una minore capacità residua della batteria, con un numero minore di LED che rimangono accesi o lampeggiano.
- Riducendo la manetta, il carico sulla batteria diminuisce e la tensione della batteria aumenta, come indicato dal numero maggiore di LED che rimangono accesi o lampeggiano. Con il passare del tempo, la capacità residua utilizzabile della batteria si riduce e la potenza disponibile scende, come indicato dal numero minore di LED che rimangono accesi o lampeggiano.
- Quando l'ultimo LED inizia a lampeggiare, l'allarme di bassa tensione della batteria di volo sulla trasmittente suona prima che venga attivata la funzione di taglio per bassa tensione nell'ESC dell'aeromodello (vedere la sezione "volo" per una descrizione della funzione di taglio per bassa tensione). L'allarme di bassa tensione della batteria di volo suona per 25 secondi. Se si abbassa la manetta e la tensione della batteria di volo sale perché nella batteria rimane ancora abbastanza capacità utilizzabile, l'allarme si interrompe prima dei 25 secondi. In entrambi i casi, atterrare appena possibile se l'allarme suona.



Per resettare l'avviso di bassa tensione della batteria di volo:

1. Dopo l'atterraggio, scollegare la batteria di volo dall'aeromodello per almeno 15 secondi, o finché i LED dell'indicatore di tensione della batteria di volo sulla trasmittente DXS si spengono.
2. Collegare una batteria completamente carica all'aeromodello. L'indicatore della tensione della batteria di volo si resetta prima del volo successivo.

## Installazione della batteria di volo e attivazione del regolatore elettronico della velocità (ESC)

**ATTENZIONE:** tenere sempre le mani lontano dall'elica. Quando armato, il motore fa girare l'elica a ogni minimo spostamento dello stick del gas.

1. Abbassare completamente lo stick del motore sulla trasmittente e attivare il taglio gas (interruttore H, posizione 1). L'attivazione del taglio del motore disattiva l'input inviato al motore dallo stick del motore. Questa caratteristica di sicurezza evita che il motore possa attivarsi se si tocca inavvertitamente lo stick del motore quando la batteria di volo è collegata e alimenta il sistema.

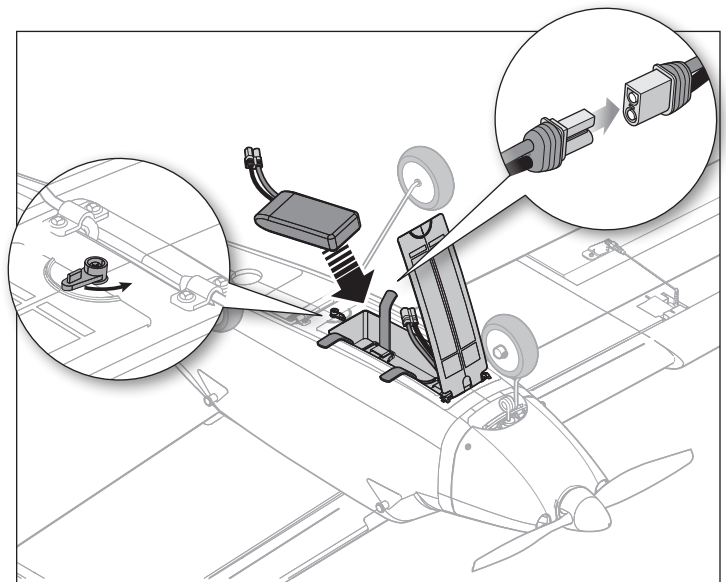
**IMPORTANTE:** se la batteria viene collegata con la manetta che non è nella sua posizione inferiore, l'ESC non si arma. Portare la manetta al minimo per armare il motore.

2. Accendere la trasmittente e attendere per almeno 5 secondi prima di procedere.
3. Poggiare l'aeromodello su una superficie piana con il carrello di atterraggio rivolto verso l'alto.
4. Ruotare il fermo del vano batteria e rimuovere lo sportello della batteria.
5. Fissare la batteria di volo nel vano batterie con delle fascette a strappo in modo da centrare adeguatamente il centro di gravità (CG). Vedere la sezione "centro di gravità" per informazioni sulla misurazione del CG.
6. Collegare la batteria di volo al connettore dell'ESC, rispettando la polarità.
7. Rimontare lo sportello della batteria, bloccandolo in posizione con il fermo.
8. Posizionare l'aeromodello in posizione verticale sul carrello di atterraggio. Mantenerlo immobile mentre il sistema SAFE si inizializza.
9. Completata l'inizializzazione del sistema SAFE, le superfici di controllo si muovono avanti e indietro per poi tornare in posizione neutra, a conferma che il sistema è pronto.

**IMPORTANTE:** se l'aeromodello viene spostato e non completa l'inizializzazione entro circa 30 secondi, scollegare e ricollegare la batteria di volo per reinizializzare il sistema.

**IMPORTANTE:** il sistema AS3X si attiva in modalità Esperto solo quando la manetta supera il 25%. Quando si attiva, le superfici di controllo del velivolo potrebbero muoversi. Ciò è normale. La tecnologia AS3X rimane attivo fino a quando l'ESC viene scollegato.

**ATTENZIONE:** scollegare sempre la batteria di volo LiPo dal ricevitore quando l'aeromodello non è in uso per evitare che la batteria si scarichi eccessivamente.





## Baricentro (CG)

Se il baricentro (CG) è corretto, il modello risulta bilanciato in un determinato punto calcolato per assicurare un volo stabile e sicuro. Quando si vola in modalità Principiante con l'aeromodello correttamente bilanciato, questo dovrebbe cabrare gradualmente dando piena potenza e procedere in volo livellato con il motore al 50-60% della potenza e senza applicare l'equilibratore.

Se il CG è troppo in avanti (muso pesante), è necessario alzare l'elevatore per mantenersi in volo livellato con il motore al 50-60% della potenza.

Se il baricentro è troppo arretrato (coda pesante), è necessario abbassare l'elevatore per procedere in volo livellato.

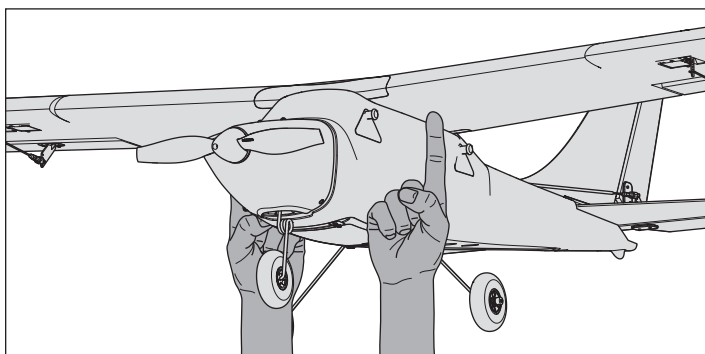
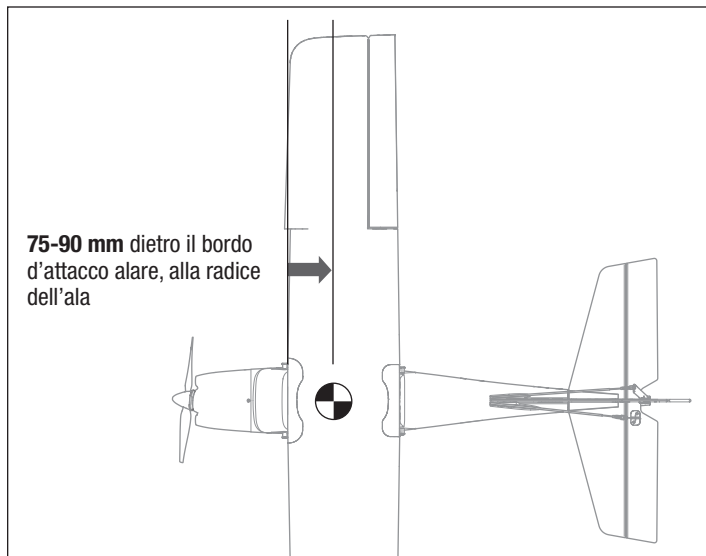
Dopo aver installato la batteria (nella posizione raccomandata) e prima di accendere l'ESC, verificare la posizione del CG sostenendo l'aereo in posizione verticale sulla punta delle dita a 75-90 mm dal bordo anteriore dell'ala, in corrispondenza della radice alare.

- Se il muso si abbassa, spostare indietro la batteria finché l'aereo non è in equilibrio.
- Se il muso si alza, spostare in avanti la batteria finché l'aereo non è in equilibrio.

Scansiona il codice QR qui accanto per vedere il video che descrive l'assemblaggio e il metodo di bilanciamento da seguire.



Video di montaggio



## Verifica della direzione dei comandi



**AVVERTENZA:** non eseguire questa o altre verifiche senza aver prima attivato il taglio gas. L'avvio accidentale del motore potrebbe altrimenti provocare lesioni o danni gravi.

Se le superfici di controllo non rispondono in modo corretto, **NON VOLARE**. Consultare la *Guida alla risoluzione dei problemi* per avere maggiori informazioni. Per ricevere assistenza, contattare il servizio assistenza Horizon Hobby.

1. Accendere la trasmittente.
2. Attivare il taglio gas (interruttore H, posizione 1).
3. Impostare la modalità di volo su Esperto (interruttore B, posizione 2).

**IMPORTANTE:** NON controllare i comandi nelle modalità Principiante o Intermedio (interruttore B, posizione 0 o 1).

4. Posizionare l'aeromodello su un terreno piano e lontano da ostacoli.
5. Accendere l'aeromodello e attendere che si inizializzi.
6. Muovere gli stick sulla trasmittente come descritto in tabella per verificare che le superfici di controllo dell'aeromodello rispondano come indicato. Assicurarsi che le superfici di controllo dell'aeromodello rispondano come mostrato e tornino al centro quando si l'input di controllo viene rilasciato.
7. Controllare che sulle superfici di controllo non ci siano piegature.
8. Con l'aeromodello su una superficie liscia, farlo rullare in avanti a mano. Spingere il pulsante del trim del timone sulla trasmittente a sinistra o a destra fino a quando l'aeromodello si muove in linea retta.

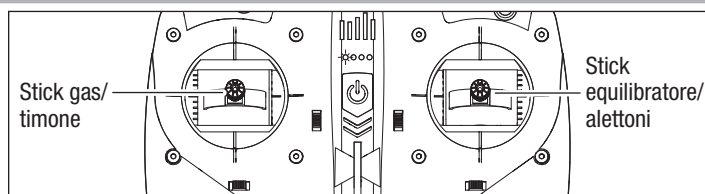
**CONSIGLIO:** la trasmittente emette un debole segnale acustico a ogni pressione dei pulsanti dei trim in tutte le direzioni. Tenendo premuto il pulsante in qualsiasi direzione la regolazione avanza velocemente finché il pulsante non viene rilasciato o il trim non raggiunge il fine corsa. Se il pulsante del trim non emette segnali acustici quando viene premuto, il trim è già a fine corsa. La posizione centrale è indicata da un segnale leggermente più forte.

### Centraggio delle superfici di controllo

Dopo aver controllato che le superfici di controllo si muovano correttamente, rilasciare gli stick della trasmittente. Assicurarsi che tutte le superfici di controllo siano centrate.

Per qualsiasi superficie che non è centrata:

1. Far scivolare via il manicotto di fermo dalla forcella.
2. Fare leva delicatamente sulla forcella per aprirla.
3. Far scorrere il perno della forcella fuori dalla squadretta di controllo.
4. Ruotare la forcella sull'asta di comando per allungare o accorciare la lunghezza dell'asta per regolare la posizione centrale della superficie.
5. Quando si raggiunge la posizione corretta, far scorrere il perno della forcella di nuovo nel foro corretto della squadretta di controllo.
6. Chiudere la forcella, catturando la squadretta di controllo tra i lati.
7. Far scorrere il manicotto di tenuta sopra la forcella per evitare che la forcella si apra.



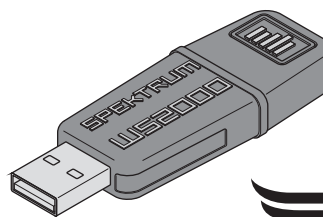
	Comando trasmittente	Risposta della superficie di controllo (visto da dietro)
Equilibratore		
Alettone		
Timone		

## Prima del primo volo

Prima di cimentarsi per la prima volta in volo con questo aeromodello, si consiglia vivamente di provare il simulatore di volo RC RealFlight Trainer Edition (RFL1205, venduto separatamente) da abbinare insieme al dongle simulatore wireless Spektrum WS2000 (SPMWS2000, venduto separatamente) alla trasmittente DXS inclusa nella versione RTF Basic per apprendere e familiarizzarsi con i principi di pilotaggio base del velivolo. Con i popolari aerei da addestramento Horizon Hobby e lezioni del Virtual Flight Instructor integrato, tutti possono imparare a volare con facilità allenandosi sul PC a casa o su un portatile praticamente ovunque!

Ti incoraggiamo inoltre a entrare in contatto con i piloti RC esperti della tua zona attraverso i negozi di hobbistica e in campi di volo RC. E per coloro che si trovano negli Stati Uniti, consigliamo di iscriversi a un'organizzazione nazionale come l'Academy of Model Aeronautics (AMA). L'AMA può fornire informazioni sui club locali, gli istruttori e campi di volo esistenti nella tua zona, oltre alla copertura assicurativa. Per maggiori informazioni, visitare il sito [www.modelaircraft.org](http://www.modelaircraft.org).

**RF TRAINER EDITION**  
REALFLIGHT



RealFlight  
Trainer Edition



## Scegliere un campo di volo

### Vedere le leggi e le normative locali prima di scegliere il luogo dove far volare l'aeromodello.

Per il massimo successo e per proteggere i propri beni e il proprio aeromodello, è fondamentale scegliere un luogo molto aperto per far volare quest'ultimo. Si consiglia di consultare il proprio negozio di hobbistica locale per informazioni sui campi di volo e i club locali. Per i clienti negli Stati Uniti, visitare l'Academy of Model Aeronautics su [www.modelaircraft.org](http://www.modelaircraft.org) per maggiori informazioni sui club di volo. Tenere sempre a mente che l'aeromodello può raggiungere velocità in volo considerevoli e coprire rapidamente le distanze. Pianificare sempre il volo in aree con più spazio di quello di cui si pensa di aver realmente bisogno, in particolare durante i primi voli.

### Il sito di volo scelto dovrebbe:

- Assicurare uno spazio libero di almeno 400 m in tutte le direzioni.
- Essere libero da alberi, edifici, auto, linee elettriche e qualsiasi altra cosa contro cui l'aeromodello possa urtare o che possa interferire con la visuale.
- Essere lontano da persone e animali domestici.

## Test di portata



**AVVERTENZA:** mentre si tiene l'aereo durante il test di portata, tenere sempre parti del corpo e altri oggetti lontano dal motore. In caso contrario ci si potrebbe ferire.

La portata deve essere controllata prima di ogni volo, specialmente con un aeromodello nuovo.

La trasmittente Spektrum DXS inclusa incorpora una modalità di controllo della portata che riduce la potenza di uscita della trasmittente in modo da non dover spostarsi di molto dal ricevitore per verificarne il raggio d'azione. Seguire le istruzioni che seguono per attivare la modalità di verifica della portata della trasmittente DXe:

1. Abbassare completamente la manetta e accendere la trasmittente per almeno 5 secondi.
2. Con l'aiuto di un assistente che tenga l'aeromodello, collegare la batteria dell'aeromodello al connettore dell'ESC. Tenere l'aeromodello immobile per 5 secondi.
3. Posizionarsi di fronte all'aeromodello con la trasmittente nella normale posizione di volo.
4. Tenere premuto il pulsante di binding (pulsante A) e spostare l'interruttore del rateo HI/LO (interruttore F) su e giù due volte. Il LED RGB della trasmittente lampeggerà e l'allarme suonerà, a indicare che il sistema è in modalità di controllo portata. Non rilasciare il pulsante di binding finché il controllo della portata non è completo.

**IMPORTANTE:** tenere premuto il pulsante BIND per tutta la durata della procedura. Rilasciare il pulsante per interrompere la modalità di controllo della portata.

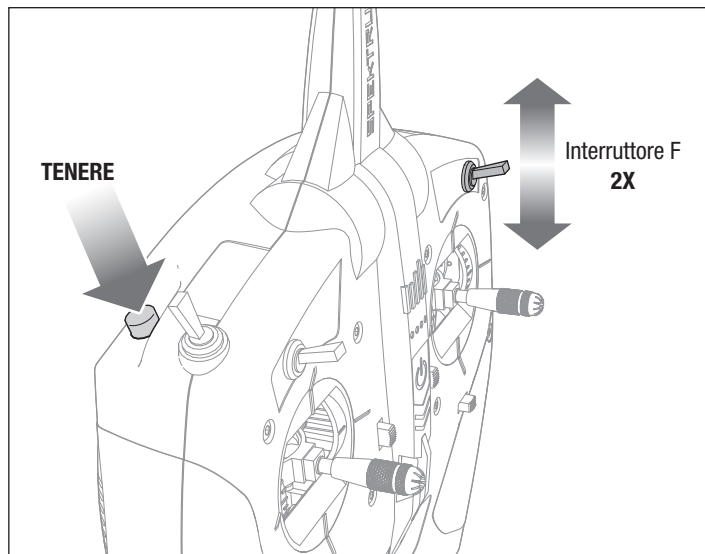
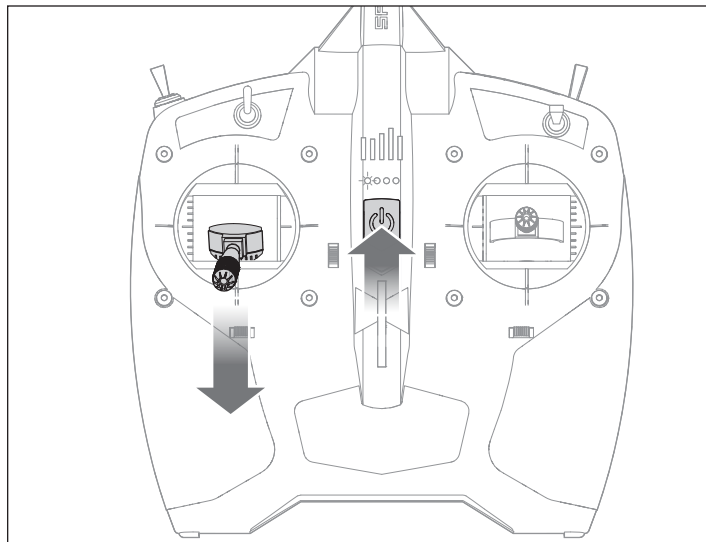
5. Con l'aeromodello fermamente sistemato a terra, posizionarsi a circa 30 passi da esso.

**CONSIGLIO:** in alcuni modelli, quando l'aereo è a terra, l'antenna o le antenne possono trovarsi a pochi centimetri dal suolo. Tale prossimità può ridurre l'efficacia della verifica della portata. In caso di problemi durante il controllo della portata, tenere fermo l'aeromodello su un supporto non conduttivo a un'altezza massima di 60 cm da terra e ripetere la verifica della portata.

6. Spostare i comandi di timone, equilibratore, alettoni e motore sulla trasmittente per assicurarsi che funzionino in modo corretto a una distanza di circa 30 passi. In caso di problemi, non provare a volare. Consultare la tabella con le informazioni di contatto per servizio e garanzia alla fine del manuale per contattare il servizio assistenza di Horizon Hobby.
7. Dopo avere eseguito con successo la verifica della portata, rilasciare il pulsante di connessione per uscire dalla modalità di controllo della portata.



**ATTENZIONE:** data la ridotta potenza di uscita della trasmittente, NON tentare mai di volare con la trasmittente in modalità controllo di portata. Farlo può causare la perdita di controllo dell'aeromodello.



## Controllo del volo

**IMPORTANTE:** benché la tecnologia SAFE sia uno strumento estremamente utile, l'aeromodello va sempre pilotato manualmente. Impartendo comandi errati ad altitudini inferiori o velocità più basse, l'aeromodello potrebbe schiantarsi. Studiare attentamente questi comandi e la relativa risposta dell'aeromodello prima di effettuare il primo volo. Per le prime esperienze di volo, impostare l'interruttore della modalità di volo SAFE Plus su Principiante (interruttore B, posizione 0). Per un controllo dolce dell'aeromodello, effettuare sempre piccole correzioni. Tutte le indicazioni sono descritte come se ci si trovasse sull'aeromodello.

### Manetta, più veloce o più lento

- Spingere lo stick del motore in avanti per accelerare e cabrare.
- Abbassare lo stick del motore per rallentare e scendere di quota.

### Equilibratore su e giù

- Tirare indietro lo stick dell'equilibratore per far alzare il muso dell'aeromodello.
- Spingere lo stick dell'equilibratore in avanti per abbassare il muso dell'aeromodello.

### Alettone a destra e a sinistra

- Spostare lo stick dell'alettone a destra per virare o inclinare l'aeromodello verso destra.
- Spostare lo stick dell'alettone a sinistra per virare o inclinare l'aeromodello verso sinistra.

**CONSIGLIO:** immaginarsi sempre all'interno dell'aeromodello per determinare in che direzione inclinare le ali dell'aeromodello.

- Quando l'aeromodello vola allontanandosi dal pilota, l'inclinazione a destra o a sinistra dell'aeromodello appare normale.
- Quando vola in direzione del pilota, l'aeromodello sembra inclinarsi nella direzione opposta rispetto al comando impartito. Con l'esperienza, il meccanismo sarà più istintivo.

**CONSIGLIO:** quando si vola verso se stessi, se una delle ali scivola, spostare lo stick dell'alettone verso l'ala bassa per livellare l'aeromodello.

### Timone a destra e a sinistra

- Spingere lo stick del timone a destra per imbardare il muso dell'aeromodello verso destra.
- Spingere lo stick del timone a sinistra per imbardare il muso dell'aeromodello a sinistra.

Lo stick del timone serve anche a dirigere l'aeromodello a sinistra o a destra durante il rullaggio a terra.

**CONSIGLIO:** analogamente come per il comando dell'alettone, immaginarsi all'interno dell'aeromodello per decidere in quale direzione puntare il muso dell'aeromodello in base alla direzione di volo (da o verso il pilota).

		Comando trasmittente	Risposta aereo
Motore			
Elevatore			
Alettoni			
Direzionale			

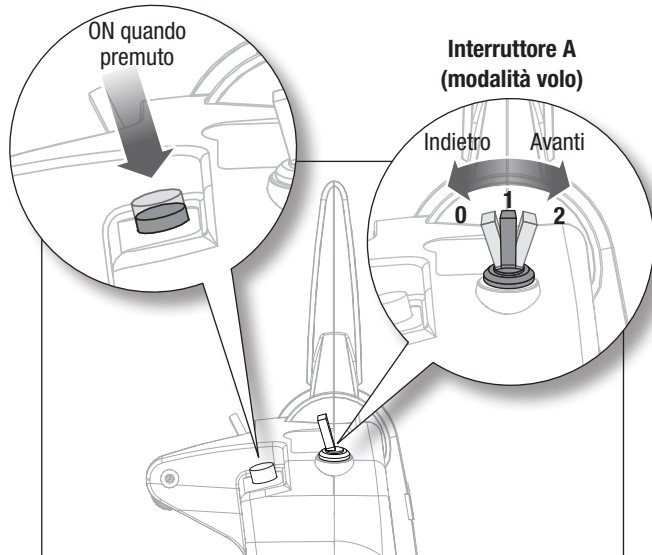
## Tecnologia SAFE (Sensor Assisted Flight Envelope)

Sei tu a decidere quanto aiuto ricevere dal sistema SAFE® mentre impari a volare. Mano a mano che la tua perizia ai comandi cresce, puoi ridurre l'assistenza fornita da SAFE. Puoi modificare in qualunque momento il grado di risposta fornito dall'aeromodello spostando l'interruttore del canale 5 (modalità di volo SAFE) sulla trasmittente.

**IMPORTANTE:** le presenti istruzioni si riferiscono alla trasmittente DXS in dotazione (o a trasmettenti analoghe) con interruttore a 3 posizioni per il Canale 5. Se voli con una trasmittente Spektrum diversa dalla DXS in dotazione, vedi la sezione dedicata alla configurazione di ricevitore e trasmittente opzionali.

Modalità di volo SAFE	Posizione interruttore A (interruttore modalità volo)
Modalità Principiante	Posizione 0
Modalità Intermedia	Posizione 1
Modalità Esperto	Posizione 2

**Pulsante I**  
Pulsante Trainer/Binding/Antipanico



### Modalità antipanico

In caso di difficoltà durante il volo, quale che sia la modalità di volo, tenere premuto l'interruttore Antipanico / Trainer e portare gli stick di comando in posizione neutra. La tecnologia SAFE riporterà l'aeromodello in assetto stabile, sempre che si trovi a quota sufficiente e che sul suo percorso non vi siano ostacoli. Rilasciare il pulsante per disattivare la modalità antipanico e tornare alla modalità di volo SAFE corrente. Se si verificano problemi e devi tornare alla modalità Principiante per riguadagnare la massima stabilità, ricordarti di spostare completamente indietro l'interruttore del Canale 5.

### Attivazione di SAFE

Il sistema SAFE si attiva solo quando la manetta supera il 25%. Quando SAFE è attivo, le superfici di controllo potrebbero muoversi. Ciò è normale. Il sistema SAFE rimane attivo fino allo spegnimento dell'ESC.

### Comprendere le oscillazioni

In certe condizioni di volo, può capitare che il modello oscilli. Se il modello oscilla, ridurre la velocità. Se l'oscillazione persiste, consultare la guida alla risoluzione dei problemi per ulteriori informazioni.

**ATTENZIONE:** volare in condizioni di volo livellato e di vento calmo con la manetta al massimo, quale che sia la modalità di volo e lunghe picchiate ad alta velocità possono provocare forti oscillazioni tali da danneggiare l'aeromodello.

Se si verificano oscillazioni, quale che sia la modalità di volo, ridurre immediatamente la manetta. Se l'oscillazione persiste, consultare la guida alla risoluzione dei problemi.

**ATTENZIONE:** le modalità Principiante, Intermedio e Antipanico sono modalità di addestramento. Volare con manovre continue ad alto numero di G (come i looping) in modalità Esperto per un periodo di tempo prolungato può portare a un comportamento incoerente dell'involucro di volo e della modalità Antipanico. In tal caso, atterrare in modalità Esperto e spegnere e riaccendere il ricevitore prima di riprendere il volo.

### Lancio e atterraggio assistiti

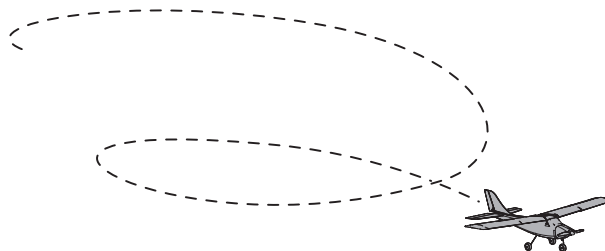
Decolli e atterraggi possono essere facilitati utilizzando la modalità Principiante. Se l'aeromodello viene lanciato in modo errato o atterra con un assetto non perfetto, tirare e tenere premuto l'interruttore Antipanico. Il modello può correggersi e aiutare a prevenire uno schianto al suolo. Vedere le sezioni decollo e atterraggio del presente manuale.

**IMPORTANTE:** per i decolli in modalità Principiante è necessaria una pista pianeggiante, essendo attiva la funzione di regolazione assistita della manetta.



### Failsafe

Nell'improbabile caso di perdita del collegamento radio, il failsafe imposta il velivolo in un cerchio discendente verso il suolo, fino a quando il collegamento radio non viene ripristinato.



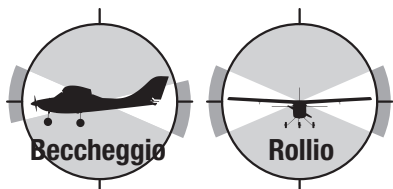
**La tecnologia SAFE fa di questo aeromodello il velivolo ideale per imparare a volare, ma per avere successo è comunque necessario prepararsi adeguatamente:**

- La tecnologia SAFE è un sistema di assistenza al volo, non un pilota automatico. Il pilota mantiene sempre il controllo e quindi deve pilotare l'aeromodello istante per istante
- Seguire le istruzioni in questo manuale per mantenere l'aeromodello in ottime condizioni di volo
- Rivolgersi a istruttori di volo qualificati attraverso i club di aeromodellismo locale. Poter contare su un istruttore di volo qualificato può accelerare i propri progressi
- Il vento e le condizioni ambientali possono influenzare le prestazioni di volo della tecnologia SAFE
- Assicurarsi di non avere distrazioni, in modo da trarre vantaggio da ogni momento in volo
- Volare sempre lontano da ostacoli e a quote tali da permettere un recupero in sicurezza

La tecnologia SAFE è un rivoluzionario sistema di addestramento al volo progettato per fornire una piattaforma stabile per sviluppare in sicurezza le proprie abilità di pilotaggio. Non si tratta di un autopilota o di un robot autoguidato. I sensori e il software di questo sistema aiutano a pilotare il velivolo, riducendo il rischio di uno schianto incontrollato. È possibile avanzare di livello passando dalle modalità Principiante, a Intermedio e infine Esperto man mano che le proprie capacità aumentano, il tutto con la sicurezza garantita dalla funzione di recupero antipánico opzionale. In qualsiasi momento durante il volo, è possibile commutare tra le 3 diverse modalità di volo o attivare la funzione di recupero antipánico per riportare il velivolo ad una quota di volo sicura.

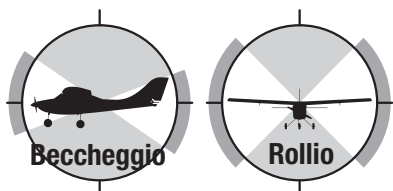
## Modalità di volo SAFE

### Modalità Principiante



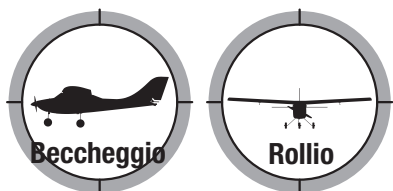
- Limite di inviluppo: gli angoli di Beccheggio (muso in su o in giù) e Rollio (estremità alari in su o in giù) vengono limitati per aiutare il pilota a mantenere l'aeromodello in volo
- Autolivellamento: il velivolo torna al volo livellato quando i comandi di beccheggio e rollio sono riportati al neutro
- Stabilità assistita in decollo e atterraggio
- Regolazione di arrampicata e discesa in funzione della manetta

### Modalità Intermedia



- Risposta ai comandi naturale: il grado di controllo di Beccheggio e Rollio è maggiore. La funzione di autolivellamento non è attiva.
- Ampio inviluppo di volo: al pilota viene impedito solo di assumere assetti di volo estremi.

### Modalità Esperto



- Risposta ai comandi naturale: il pilota sperimenta la naturalezza dell'esperienza del volo AS3X con atterraggi dolci e precisione estrema
- Inviluppo di volo illimitato: nessun limite agli angoli di Beccheggio e Rollio (unico limite quello della cellula)

## Modalità antipánico

- Ripristino immediato di un assetto di volo sicuro
- Tutti i comandi della trasmittente passano in posizione neutra per un recupero più rapido
- Questa modalità serve per permettere al pilota di acquisire una maggiore dimestichezza e continuare a migliorare le sue abilità



**IMPORTANTE:** il velivolo recupererà un assetto più sicuro anche se gli stick vengono azionati. Alcuni degli input di controllo rimangono funzionanti anche con la funzione antipánico attivata.

## Tecnologia AS3X

Horizon Hobby da sempre realizza aeromobili RC sportivi, in scala e unici con il tipo di prestazioni che gli esperti apprezzano. Con l'esclusivo sistema Artificial Stability 3 aXis (AS3X), queste aspettative ora compiono un ulteriore salto di qualità. Basato sul successo dell'uso dei sensori MEMS integrati nel sistema di stabilizzazione AS3X, essenziale per gli elicotteri ultra micro flybarless Blade®, il sistema AS3X in versione specificamente calibrata per gli aeromodelli aiuta a correggere in modo invisibile turbolenze, coppia e stalli delle estremità alari. Inoltre, l'eccezionale agilità di controllo offre una risposta dei comandi estremamente dolce, immediata, reattiva e naturale. I comandi rispondono in modo così gratificante che sembra di star pilotando un modello RC in scala gigante professionalmente calibrato. Con la tecnologia AS3X cambierai modo di intendere il volo, oggi e in futuro.

## Controlli pre-volo

Scegliere un'area all'aperto dove poter volare in sicurezza.
Caricare la batteria di bordo.
Installare la batteria di bordo completamente carica nell'aeromodello.
Verificare che i controlli si muovano tutti liberamente.
Controllare il baricentro (CG).

Eseguire il controllo della direzione dei comandi.
Eseguire il test della portata del radiocomando.
Pianificare il volo in base alle condizioni del campo.
Impostare il timer di volo a 6-8 minuti.
Buon divertimento!

## Volo

Questo aeromodello è relativamente facile da pilotare anche per chi sta ancora affinando le proprie capacità da principiante; consigliamo tuttavia di farsi affiancare da un istruttore di volo qualificato nei primi voli radiocomandati. Alcuni dei club di aeromodellismo offrono corsi di addestramento sui loro campi di volo. Si consiglia di rivolgersi al proprio fornitore di modellistica per conoscere i club di volo nelle proprie vicinanze. Il sito web dell'Academy of Model Aeronautics all'indirizzo [www.modelaircraft.org](http://www.modelaircraft.org) è utile per maggiori informazioni sui club e i corsi di volo negli Stati Uniti.

Scansiona il QR Code per accedere a un video con utili consigli per pilotare questo aeromodello.



Video di volo

### Consigli per aver successo

- Inizia in modalità Principiante. Man mano che prendi confidenza con l'aeromodello, cambia modalità per affinare le tue capacità di pilotaggio.
- Non cedere alla voglia di volare a tutto gas. Iniziare a volare a velocità inferiori dà più tempo per reagire in caso di problemi.
- Mantieni sempre l'aeromodello in piena vista e sopravento rispetto alla tua posizione.
- Fai pratica iniziando a volare in cerchi ampi ad alta quota. Quando ti senti a tuo agio, passa gradualmente a manovre più avanzate.

- Non provare la tua prima virata a bassa quota. Farlo a quote maggiori dà più possibilità di correggere se necessario.
- I movimenti degli stick di comando sono piuttosto sensibili. Evita di spingere gli stick fino a fine corsa finché non acquisti una maggiore familiarità con l'aeromodello.
- Per riprendersi da una picchiata, riduci il motore e rilascia lo stick degli alettoni. Tira leggermente indietro lo stick dell'equilibratore per alzare il muso.
- Se senti di aver perso il controllo, tieni premuto il pulsante antipanico.

### Condizioni meteorologiche

Una giornata buona per volare è una giornata con vento calmo, inferiore a 8-11 km/h. Volare con venti più forti può rendere difficile il volo e provocare un schianto al suolo.

Può esserci meno vento in prossimità del suolo di quanto ce n'è alla quota di volo dell'aeromobile.

### Decollo

#### Decollo da terra

Il decollo da terra in modalità Principiante è consigliato per i primi voli; se però il terreno non è compattato e pianeggiante, meglio chiedere aiuto per decollare con il lancio a mano.

1. Posizionare l'aeromodello sul carrello di atterraggio in uno spazio ampio e senza ostacoli, su asfalto o cemento liscio. Il muso dell'aeromodello deve essere rivolto contro (con vento non superiore a 8-11 km/h).
2. Posizionarsi dietro l'aeromodello in modo da poter vedere il timone, gli alettoni e l'equilibratore.
3. Portare lentamente lo stick del motore a FULL (100%) e contemporaneamente tirare indietro con dolcezza lo stick dell'equilibratore. Usare il timone per tenere il muso dell'aeromodello puntato verso il vento mentre si invola.

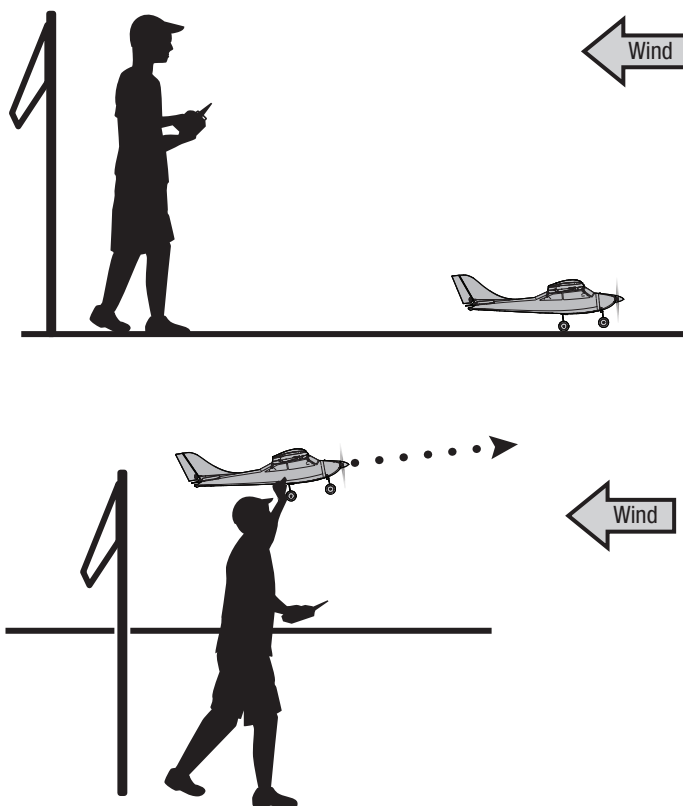
**CONSIGLIO:** lancio dal suolo in modalità Principiante. Dare motore e mantenere l'aeromodello dritto con il timone. La corsa di decollo su una pista pianeggiante è breve. Salire a velocità costante fino a raggiungere la quota di sicurezza. Se necessario, utilizzare l'interruttore della modalità antipanico.

#### Lancio a mano

Se stai imparando a pilotare, può essere preferibile farsi aiutare a lanciare il modello a mano e concentrarsi così sul volo. Se non è possibile farsi aiutare, tieni il modello nella mano dominante e la trasmittente nell'altra. Un laccetto da collo opzionale (SPMP610, venduto separatamente) può aiutare a tenere la trasmittente.

1. Il modello va afferrato da sotto la fusoliera, dietro il carrello principale.
2. Aumentare con cautela il comando della manetta della trasmittente fino a portarlo a FULL (100%).
3. Lanciare l'aereo controvento con il muso leggermente verso l'alto mantenendo le ali parallele al suolo.

**CONSIGLIO:** lancio a mano in modalità Principiante. La tecnologia di stabilizzazione manterrà il velivolo in piano mentre cabra. Cabrare in maniera sicura e costante fino a raggiungere la quota di sicurezza. Se necessario, utilizzare l'interruttore della modalità antipanico.



## In volo

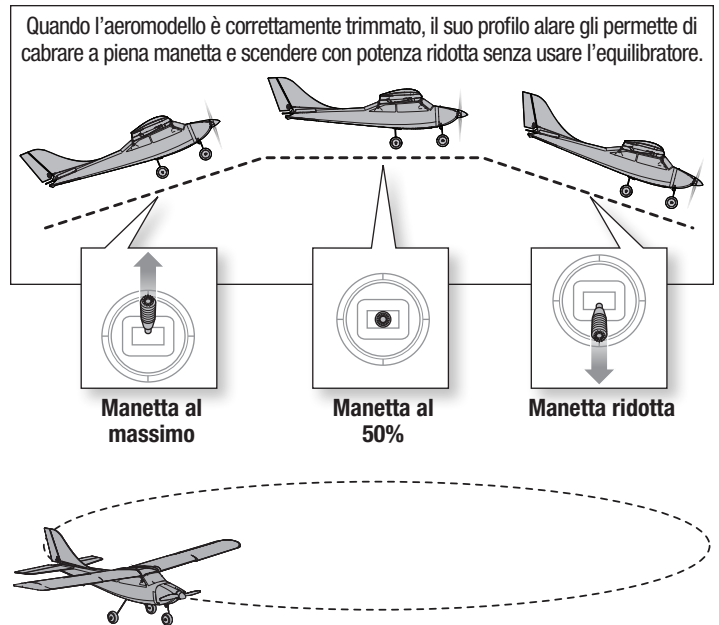
Continuare a salire nel vento a tutto motore, fino a raggiungere una quota di circa 15 metri. Allontanare l'aeromodello dalla propria posizione con una virata graduale continuando a mantenere la quota. Iniziare una virata inclinando leggermente l'aeromodello con lo stick degli alettoni. Tirare delicatamente indietro lo stick dell'equilibratore per tirare l'aeromodello intorno alla virata e mantenere la quota. Quando l'aeromodello raggiunge la direzione desiderata, basta applicare l'alettone opposto per livellare le ali e allentare l'equilibratore. Salire a circa 60 metri e ridurre il motore a circa il 50%. Regolare la potenza del motore per mantenere la quota. Cercare di non portare l'aeromodello troppo in alto o troppo lontano.

Durante il volo:

- Volare ad una quota abbastanza alta da avere tempo per reagire al comportamento dell'aeromodello.
- Effettuare solo movimenti ridotti e dolci sugli stick per vedere come reagisce l'aeromodello.
- Fare pratica volando in ampi cerchi ad alta quota. Volare con il muso dell'aeromodello rivolto verso di sé è una delle cose più difficili da imparare. Volare in cerchio permette di vedere l'aeromodello da tutte le angolazioni.
- Se si perde l'orientamento dell'aeromodello, tenere premuto il pulsante antipanico e rilasciare gli stick. L'aeromodello tornerà a volare in piano. Rilasciare il pulsante e continuare col volo.

**AVVISO:** in caso di impatto imminente, attivare il blocco della manetta o abbassare rapidamente il comando motore e il trim del motore. In caso contrario, il rischio di danni a cellula, ESC e motore aumenta.

**AVVISO:** la garanzia non copre i danni causati dallo schianto al suolo.



## Atterraggio

1. Ridurre la potenza del motore a circa il 50% per rallentare.
2. Volare sottovento oltre il termine della pista.
3. Girare l'aeromodello controvento e allinearli con il centro della pista.
4. Continuare a ridurre gradualmente la potenza e iniziare a scendere verso la pista, tenendo le ali a livello durante l'avvicinamento. Cercare di far sì che l'aeromodello si trovi a circa 3 metri di quota quando oltrepassa la soglia della pista.
5. Mentre sorvola la soglia della pista, ridurre la manetta.
6. Quando sta per toccare terra, tirare dolcemente il comando dell'equilibratore per richiamare e alzare il muso dell'aeromodello per farlo planare dolcemente sul carrello principale. L'obiettivo è mantenere una velocità abbastanza bassa in modo che l'aeromodello non salga di quota quando viene avviata la richiamata di atterraggio.

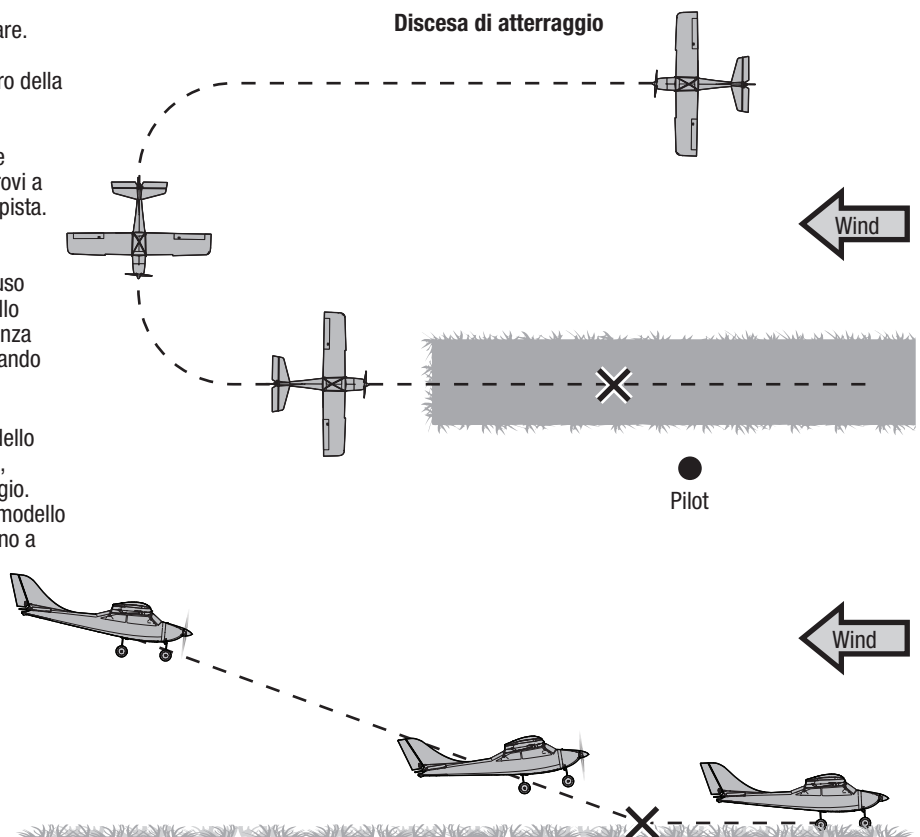
**CONSIGLIO:** se l'aeromodello rimbalza in aria, dare leggermente motore e far scendere dolcemente l'aeromodello sulla pista, oppure portare il motore alla massima potenza, scendere e fare il giro per ripetere la sequenza di atterraggio.

7. Continuare a usare lo stick del timone per tenere l'aeromodello dritto lungo la pista, permettendogli di rullare al suolo fino a fermarsi.

**AVVISO:** in caso di impatto imminente, attivare il blocco della manetta o abbassare rapidamente il comando motore e il trim del motore. In caso contrario, il rischio di danni a cellula, ESC e motore aumenta.

**AVVISO:** la garanzia non copre i danni causati dallo schianto al suolo.

**IMPORTANTE:** terminato il volo, non lasciare l'aeromodello al sole. Non lasciare l'aeromodello in luoghi chiusi e caldi, come un'auto al sole. Farlo può provocare danni al materiale espanso.



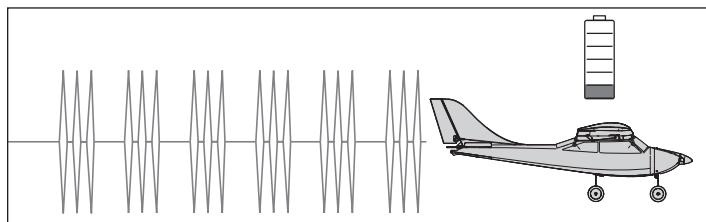


## Protezione da bassa tensione (LVC)

La funzione LVC è integrata nel regolatore ESC per proteggere la batteria dalle situazioni di sovra-scarica. Quando la carica della batteria di volo è bassa, l'LVC limita la potenza fornita al motore in modo che i comandi di volo ricevano energia sufficiente per un atterraggio sicuro.

Quando l'LVC si attiva, l'aeromodello rallenta e il motore inizia a pulsare. Se si sente che la potenza del motore si riduce, atterrare immediatamente e ricaricare la batteria di volo.

**AVVISO:** l'uso ripetuto della funzione LVC può danneggiare la batteria.



## Regolazione dei trim

### Regolazione dei trim in volo

Se l'aeromodello non vola dritto e a livello con il motore al 50% e gli stick centrati, volare controvento e premere i tasti dei trim come indicato nella tabella finché l'aeromodello non assume una traiettoria di volo ragionevolmente dritta e livellata.

- Si consiglia di effettuare le regolazioni in condizioni di vento calmo.
- Prima di regolare i trim, impostare la modalità di volo SAFE su Esperto (Interruttore B, Posizione 2).

Dopo avere agito sui trim in volo, atterrare e passare alla sezione "regolazione manuale dei trim" per ricentrare i servo e impostare meccanicamente i trim. La trasmittente DXS inclusa dispone di pulsanti trim elettronici. la trasmittente emette un debole segnale acustico a ogni pressione dei pulsanti dei trim in tutte le direzioni. Tenendo premuto il pulsante in qualsiasi direzione la regolazione avanza velocemente finché il pulsante non viene rilasciato o il trim non raggiunge il fine corsa. Se il pulsante del trim non emette segnali acustici quando viene premuto, il trim è già a fine corsa. La posizione centrale è indicata da un segnale leggermente più forte.

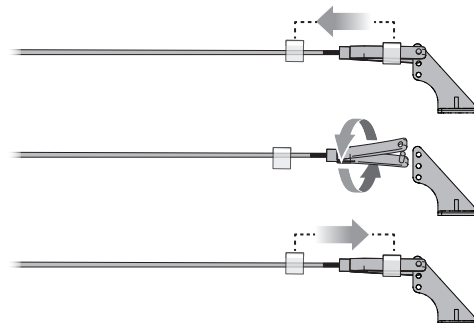
**CONSIGLIO:** trimmare l'aeromodello a una quota sufficiente di circa 30 metri. Si consiglia di affidarsi a un istruttore di volo esperto per trimmare l'aeromodello al momento del primo volo.

### Regolazione manuale dei trim

Dopo aver regolato i trim dell'aeromodello in volo, i servi dovrebbero essere ricentrati e le aste di spinta regolate per riflettere i cambiamenti al trimmaggio fatto in volo. Questo serve ad assicurare che i servo mantengano la corsa completa senza eccedere nella loro estensione in entrambe le direzioni.

1. Un volta atterrati dopo il volo di trimmaggio, impostare il taglio del motore su ON (interruttore H, posizione 1).
2. Impostare la modalità di volo su Esperto (interruttore B, posizione 2). Assicurarsi che l'aeromodello rimanga immobile.
3. Uno alla volta, prendere nota di qualsiasi divergenza nella posizione delle superficie di controllo.
4. Rimuovere la forcella dalla squadretta di controllo della superficie di controllo facendo scorrere il tubo di gomma morbida lungo l'asta di comando. Fare delicatamente leva sulla forcella e far scorrere il perno fuori dalla squadretta di controllo.
5. Centrare il trim della trasmittente per quella superficie di controllo.
6. Regolare la forcella in dentro o in fuori ruotando la forcella sull'asta di comando finché la posizione della superficie di controllo non corrisponde all'offset corretto una volta inserito il perno della forcella nella squadretta di controllo.
7. Reinserrire il perno della forcella nel foro desiderato della squadretta.
8. Chiudere la forcella a scatto, catturando la squadretta di controllo tra i lati della forcella.
9. Far scorrere il tubo di gomma morbida sopra la forcella per evitare che si apra.
10. Passare alla superficie di controllo successiva e ripetere i passaggi da 3 a 9, fino a quando centrare i trim di tutte le superfici di controllo della trasmittente.

	Deriva aereo	Correzione richiesta
Equilibratore		 Trim equilibratore
		 Trim equilibratore
Alettone		 Trim alettone
		 Trim alettone
Timone		 Trim timone
		 Trim timone



## Dopo il volo

Scollegare la batteria di volo dal modello.
Spegnere la trasmittente.
Rimuovere la batteria di bordo dall'aeromodello.
Ricaricare la batteria di bordo.
Riparare o sostituire le parti eventualmente danneggiate.
Conservare la batteria di bordo separata dall'aeromodello e tenerne sotto controllo la carica.
Tenere nota delle condizioni del volo e dei risultati per pianificare i voli successivi.

**IMPORTANTE:** terminato il volo, non lasciare l'aeromodello al sole. Non lasciare l'aeromodello in luoghi chiusi e caldi, come un'auto al sole. Farlo può provocare danni al materiale espanso.

### Consigli per le batterie LiPo:

- Dopo l'uso, scollegare la batteria LiPo e toglierla dall'aeromodello per evitare che sia soggetta a scarica lenta.
- Prima di riporre la batteria LiPo per lungo tempo, caricarla a metà della sua capacità.
- Nel periodo di non utilizzo, controllare di tanto in tanto che la tensione non scenda sotto i 3 V per cella.
- Leggere e seguire sempre tutte le avvertenze di sicurezza e le linee guida incluse nelle batterie LiPo.

## Connessione trasmettente/ricevente

Il binding è la procedura di programmazione usata per configurare il ricevitore associandolo al codice individuale della trasmittente, in modo che il ricevitore possa collegarsi solo a quella specifica trasmittente.

La trasmittente inclusa viene fornita già connessa all'aeromodello. Se l'aeromodello non risponde agli input di comando della trasmittente e le batterie di bordo e della trasmittente sono completamente cariche, è possibile che sia necessario dover riassociare velivolo e trasmittente.

Per ripetere il binding tra trasmittente e ricevitore:

1. Spegnere la trasmittente
2. Impostare lo stick del motore in posizione bassa e tutti gli altri comandi in posizione neutra\* Assicurarsi che l'aeromodello sia immobile.

**IMPORTANTE:** il motore non viene armato se il comando del gas della trasmittente non è completamente abbassato.

3. Installare una spina di binding nel cavo di prolunga BIND situato nel vano batteria.
4. Collegare la batteria di volo all'ESC. Il LED del ricevitore lampeggia rapidamente (visibile con l'ala rimossa).
5. Accendere il ricevitore e contemporaneamente premere e tenere premuto il pulsante di binding (pulsante A) sul ricevitore. Il LED del ricevitore si accende e rimane acceso in modo permanente una volta stabilito il binding tra trasmittente e ricevitore. L'aeromodello si inizierà e i comandi funzioneranno normalmente.

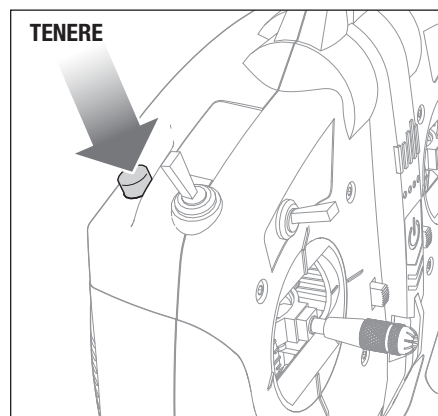
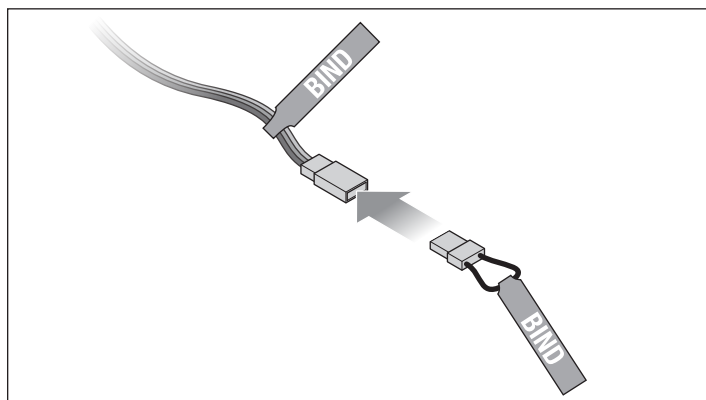
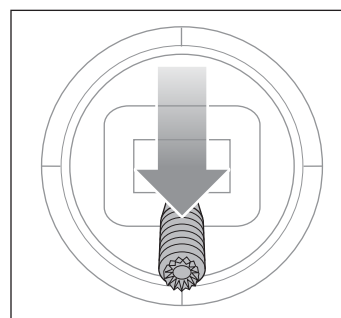
6. Rimuovere il connettore di binding dalla prolunga BIND.

Completata correttamente la procedura di associazione, ricevitore e trasmittente dovrebbero mantenere il binding anche per i voli futuri.

Se si incontrano difficoltà, vedere la guida per la risoluzione dei problemi. Se necessario, contattare il servizio assistenza Horizon Hobby.

### \* Failsafe

Il ricevitore memorizza la posizione del comando del motore sulla trasmittente al momento del binding come posizione di failsafe. Se il ricevitore dovesse mai perdere la comunicazione con la trasmittente, la funzione failsafe si attiverà. Il failsafe sposta il canale del motore nella posizione di failsafe (gas basso) preimpostata durante la procedura di binding. Tutti gli altri canali di controllo si muovono per mettere l'aeromodello in un lento cerchio discendente fino a quando il collegamento radio viene ristabilito.



## Addestramento al volo

### Per i piloti alle prime armi:

Questo aeromodello è facile da pilotare anche per chi sta ancora affinando le proprie capacità da principiante; consigliamo tuttavia di farsi affiancare da un istruttore di volo qualificato nei primi voli radiocomandati. Alcuni dei club di aeromodellismo offrono corsi di addestramento sui loro campi di volo. Si consiglia di rivolgersi al proprio fornitore di modellistica per conoscere i club di volo nelle proprie vicinanze. Il sito web dell'Academy of Model Aeronautics all'indirizzo [www.modelaircraft.org](http://www.modelaircraft.org). è utile per maggiori informazioni sui club e i corsi di volo negli Stati Uniti.

### Per gli istruttori di volo:

Invitiamo a prendere dimestichezza con la tecnologia SAFE prima di istruire i vostri allievi su questo aeromodello. Le posizioni di commutazione progressiva della tecnologia SAFE sono state pensate per consentire ai piloti alle prime armi di imparare a volare con un'assistenza minima da parte dell'istruttore. Si consiglia di utilizzare la Posizione 1 dell'interruttore della modalità di volo per la formazione dei nuovi piloti. Le posizioni 0 e 2 stabilizzano l'aeromodello più o meno di quanto desiderabile ai fini dell'addestramento.

### Funzione di addestramento DXS wireless

La trasmittente DXS può essere collegata in wireless ad altra trasmittente tramite il ricevitore remoto SRXL2 DSMX (SPM9747, venduto separatamente). La trasmittente DXS è ideale\* come trasmittente per l'istruttore in quanto in questa funzione è compatibile con tutte le trasmittenti Spektrum. Trim e inversione servo devono essere uguali su entrambe le trasmittenti.

Questo approccio "buddy box" ha aiutato molti nuovi piloti a prendere confidenza con i comandi di volo sotto la stretta supervisione di un istruttore di volo. Il collegamento di due trasmittenti consente all'istruttore di controllare la trasmittente master mentre l'allievo usa la slave. Mentre l'allievo impara a volare, l'istruttore tiene premuto l'interruttore trainer per consentire all'allievo di pilotare l'aeromodello. Se si ha bisogno di aiuto, l'istruttore può rilasciare l'interruttore per prendere il controllo.

**IMPORTANTE:** se per la trasmittente master o slave viene utilizzata una trasmittente diversa dalla DXS inclusa, consultare la sezione "configurazione buddy box" in questo manuale.

### Installazione del ricevitore remoto

1. Aprire il vano delle batterie
2. Collegare il cavo del ricevitore remoto alla porta del trainer wireless.
3. Installare il ricevitore remoto nella cavità dietro allo sportello della batteria con del nastro biadesivo.

### Configurazione Buddy Box

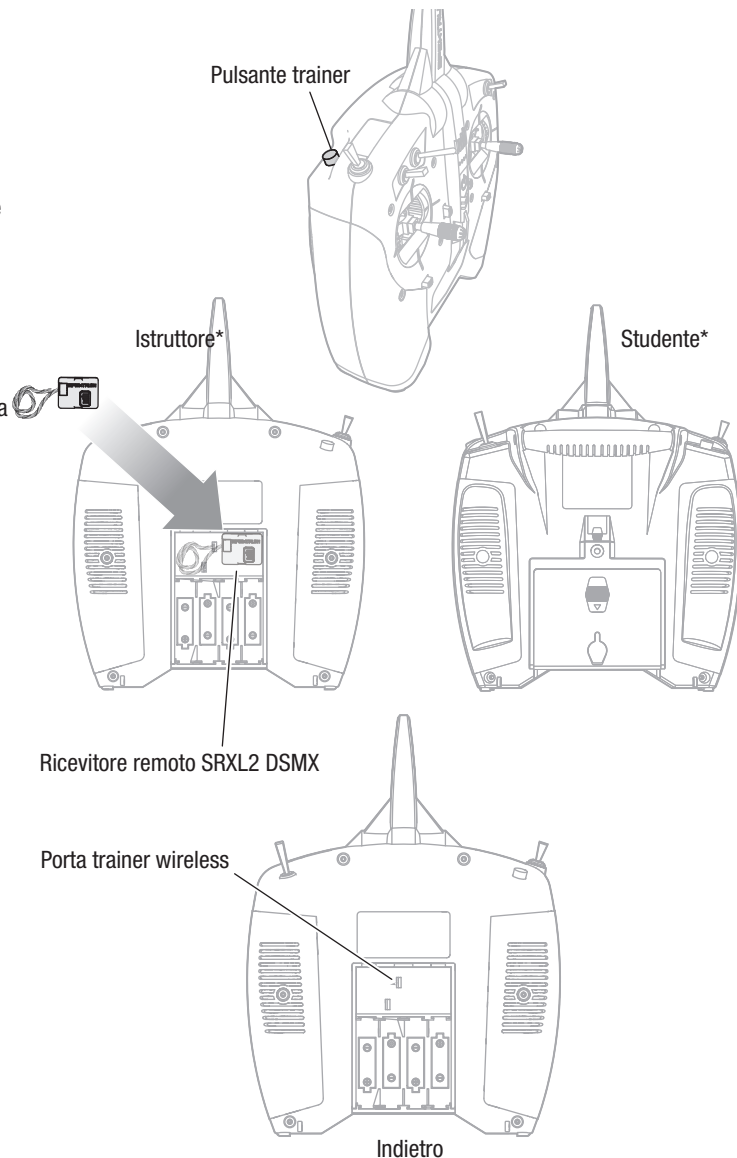
**IMPORTANTE:** utilizzare queste impostazioni per una trasmittente istruttore o studente se si utilizza l'opzione buddy box per l'addestramento su qualsiasi trasmittente diversa dalla DXS inclusa. In caso contrario, le modalità di volo della tecnologia SAFE non funzioneranno correttamente.

La trasmittente deve essere configurata utilizzando le tabelle per la configurazione di buddy box e trasmittente.

Configurazione trasmittente studente*	
Trasmittente studente	Configurazione studente
DX4e, DX5e (2 pos)	Impostazioni trainer di fabbrica
DX4e, DX5e (3 pos)	Impostazioni trainer di fabbrica
DXe	Impostazioni trainer di fabbrica
DX6i	Impostazioni trainer di fabbrica
DX7	Impostazioni trainer di fabbrica
DX6 DX7s DX7(G2) DX8 DX8(G2)	DX9 DX10t DX18 DX20
	Impostazioni trainer di fabbrica

Configurazione trasmittente istruttore*	
Trasmittente istruttore	Configurazione studente
DX4e, DX5e (2 pos)	Impostazioni trainer di fabbrica
DX4e, DX5e (3 pos)	Impostazioni trainer di fabbrica
DXe	Impostazioni trainer di fabbrica
DX6i	Impostazioni trainer di fabbrica
DX7	Trainer a Normale
DX6 DX7s DX7(G2) DX8 DX8(G2)	DX9 DX10t DX18 DX20
	Attivare Master Programmabile e assicurarsi che i canali Thro - Aux 1 siano impostati su Studente.

\* Alcune trasmittenti con versioni precedenti del software Spektrum Airware possono usare una terminologia diversa per descrivere le funzioni Studente e Istruttore.



## Configurazione di una trasmittente opzionale

Per usare una trasmittente Spektrum diversa dalla DXS inclusa con l'aeromodello in versione Base RTF, vedere la tabella di configurazione per programmare la trasmittente DX, NX o iX in uso.

Quando si usa la configurazione consigliata, la disposizione degli interruttori della trasmittente è la seguente:

- Interruttore B: imposta la modalità di volo; Principiante (posizione 0), Intermedio (posizione 1), Esperto (posizione 2)
- Pulsante I: controlla la modalità antipanico (premuta attiva la modalità antipanico)
- Interruttore F: controlla i dual rate degli alettoni
- Interruttore C: controlla i dual rate dell'equilibratore
- Interruttore G: controlla i dual rate del timone.
- Interruttore H: controlla i dual rate del taglio gas.

**IMPORTANTE:** dopo aver completato la configurazione della trasmittente o aver apportato delle modifiche alla configurazione della trasmittente, trasmittente e ricevitore vanno riassociati per salvare le posizioni di failsafe desiderate.

### Dual Rate

Effettuare i voli iniziali con ratei bassi, passando l'equilibratore ai ratei alti per l'atterraggio.

**AVVISO:** per garantire il corretto funzionamento della tecnologia AS3X, non ridurre le corse sotto il 50%. Se si desidera una minore deviazione dei comandi, regolare manualmente la posizione delle aste di comando sui bracci del servo

**AVVISO:** consultare la guida alla risoluzione dei problemi per maggiori informazioni se si verificano oscillazioni ad alta velocità.

### Esponenziale

Dopo i primi voli, regolare le impostazioni esponenziali nella trasmittente per regolare la reattività dell'aeromodello attorno al neutro secondo le proprie preferenze.

### Configurazione delle trasmittenti serie iX

1. Accendere la trasmittente e attendere che l'applicazione Spektrum Airware si apra. Selezionare l'icona con la penna arancione nell'angolo in alto a sinistra; il sistema chiede di poter <b>spegnere la trasmissione RF</b> , selezione <b>PROCEDI</b>
2. Selezionare i tre punti nell'angolo in alto a destro nello schermo, selezionare <b>Aggiungi nuovo modello</b>
3. Selezionare Opzione modello, scegliere <b>DEFAULT</b> , scegliere <b>Aereo</b> . Il sistema chiede se si vuole creare un nuovo modello ACRO, selezionare <b>Crea</b>
4. Selezionare l'ultimo modello della lista, chiamato <b>Acro</b> . Toccare la parola Acro e rinominare il file con un nome a scelta
5. Toccare e tenere premuta l'icona della freccia indietro nell'angolo in alto a sinistra dello schermo per tornare alla schermata principale
6. Andare in <b>Imposta modello</b> ; Selezionare <b>Assegna canale</b> , selezionare <b>PROCEDI</b> <i>5 Carrello: Interruttore B</i> <i>6 Aux1: Interruttore I</i> Toccare e tenere premuta l'icona della freccia indietro nell'angolo in alto a sinistra dello schermo per tornare alla schermata principale
7. Andare in <b>Regolazione modello</b>
8. Selezionare <b>Dual Rate e Expo</b> ; <i>Canale: Alettone</i> <i>Interruttore: Interruttore F</i> Imp. posizioni interruttori <b>0 e 1: Rate 100%, Expo 10%</b> Imp. posizioni interruttore <b>2: Rate 70%, Expo 5%</b>
9. <i>Canale: Equilibratore</i> <i>Interruttore: Interruttore C</i> Imp. posizioni interruttori <b>0 e 1: Rate 100%, Expo 10%</b> Imp. posizioni interruttore <b>2: Rate 70%, Expo 5%</b>
10. <i>Canale: Alettone</i> <i>Interruttore: Interruttore G</i> Imp. posizioni interruttori <b>0 e 1: Rate 100%, Expo 10%</b> Imp. posizioni interruttore <b>2: Rate 70%, Expo 5%</b>
11. Toccare la freccia di ritorno per tornare al menu <b>Regola modello</b>
12. Impostare <b>Taglio gas</b> ; <i>Interruttore: Interruttore H</i> <i>Posizione: -100%</i>

### Impostazione delle trasmissioni serie NX

1. Accendere la trasmittente, premere la rotella di scorrimento, scorrere fino a **Impostazione sistema** e premere di nuovo sulla rotella. Quando pronto a spegnere RF, scegliere si.
2. Andare in **Scelta dell'aeromodello** e scegliere **<Aggiungi nuovo modello>** verso il fondo alla lista. Selezionare **Tipo modello aeroplano** scegliendo l'aeroplano, selezionare **Crea**
3. Impostare il **Nome modello**: inserire il nome per il file dell'aeromodello
4. Andare in **Assegna canale**  
5 **Carrello**: Passare **A** a **Interruttore B**  
6 **Aux1**: Passare **D** a **Pulsante I**  
Cliccare su **Lista** per uscire
5. Selezionare **<Schermata principale>**, premere sulla rotella per entrare in **Lista funzioni**
6. Andare in **D/R (Dual Rate) e Expo**;  
**Canale: Alettone**  
Impostare **Interruttore: Interruttore F**  
Imp. posizioni interruttori **0 e 1: Rate 100%, Expo 10%**  
Imp. posizioni interruttore **2: Rate 70%, Expo 5%**
7. Andare in **D/R (Dual Rate) e Expo**;  
**Canale: Equilibratore**  
Impostare **Interruttore: Interruttore C**  
Imp. posizioni interruttori **0 ed 1: Rate 100%, Expo 10%**  
Imp. posizioni interruttore **2: Rate 70%, Expo 5%**
8. Andare in **D/R (Dual Rate) e Expo**;  
**Canale: Timone**  
Impostare **Interruttore: Interruttore G**  
Imp. posizioni interruttori **0 e 1: Rate 100%, Expo 10%**  
Imp. posizioni interruttore **2: Rate 70%, Expo 5%**
9. Selezionare **Lista** per tornare alla **Lista funzioni**
10. Impostare **Taglio gas**;  
**Interruttore: Interruttore H**  
**Posizione: -100%**

### Impostazione delle trasmissioni serie DX

1. Accendere la trasmittente, premere la rotella di scorrimento, scorrere fino a **Impostazione sistema** e premere di nuovo sulla rotella. Quando pronto a spegnere RF, scegliere si.
2. Andare in **Scelta dell'aeromodello** e scegliere **<Aggiungi nuovo modello>** in fondo alla lista. Il sistema chiede se si vuole creare un nuovo modello, selezionare **Crea**
3. Impostare il **Tipo di modello**: Selezionare **Tipo modello aeroplano** scegliendo l'aeroplano.  
Il sistema chiede di confermare il tipo di modello, i dati saranno resettati. Selezionare **Si**
4. Impostare il **Nome modello**: inserire il nome per il file dell'aeromodello
5. Selezionare **<Schermata principale>**, premere sulla rotella per entrare in **Lista funzioni**
6. Andare in **D/R (Dual Rate) e Expo**;  
**Canale: Alettone**  
Impostare **Interruttore: Interruttore F**  
Imp. posizioni interruttori **0 e 1: Rate 100%, Expo 10%**  
Imp. posizioni interruttore **2: Rate 70%, Expo 5%**
7. Andare in **D/R (Dual Rate) e Expo**;  
**Canale: Equilibratore**  
Impostare **Interruttore: Interruttore C**  
Imp. posizioni interruttori **0 ed 1: Rate 100%, Expo 10%**  
Imp. posizioni interruttore **2: Rate 70%, Expo 5%**
8. Andare in **D/R (Dual Rate) e Expo**;  
**Canale: Timone**  
Impostare **Interruttore: Interruttore G**  
Imp. posizioni interruttori **0 e 1: Rate 100%, Expo 10%**  
Imp. posizioni interruttore **2: Rate 70%, Expo 5%**
9. Selezionare **Lista** per tornare alla **Lista funzioni**
10. Impostare **Taglio gas**;  
**Interruttore: Interruttore H**  
**Posizione: -100%**

## Regolatore elettronico di velocità (ESC) con tecnologia SMART

L'Apprentice S 2 1.2 m è dotato di un esclusivo controllo elettronico della velocità con tecnologia Smart che può fornire una serie di dati telemetrici in tempo reale e direttamente in volo relativi al sistema di alimentazione, inclusi i valori di giri/motore, corrente, tensione batteria e altro ancora alle trasmissioni Spektrum AirWare compatibili.

Quando in funzione, l'ESC invia le seguenti informazioni al controller di volo che vengono così visualizzate sulla trasmittente, se compatibile.

- RPM\*
- Tensione
- Corrente
- Manetta
- Temperatura FET
- Temperatura BEC

\* Affinché le informazioni relative ai giri/motore vengano visualizzate correttamente, è necessario programmare il conteggio dei poli del motore nelle impostazioni della telemetria della trasmittente.

Il Apprentice S 2 1.2 m usa un motore a 14 poli.

### Per programmare le informazioni sul numero di poli del motore:

1. Accendere la trasmittente.
2. Attivare il taglio gas.
3. Accendere l'aeromodello e lasciare che si inizializzi.
4. Nella trasmittente, andare in **Lista funzioni** (**Imposta modello** nelle trasmissioni della serie iX).
5. Selezionare l'opzione del menu **Telemetria**.
6. Andare all'opzione del menu **ESC**.
7. Scorrere fino a **Poli**.
8. Inserire **14** (per le trasmissioni della serie iX, è necessario cliccare su "salva" per salvare le modifiche).
9. Tornare alla schermata iniziale.

### ESC Status

```

RPM: 0
Volts: 0.0V
Motor: 0.0A      0% Output
Throttle: 0%
Fet Temp: 0.0C
BEC: 0.0C      0.0A  0.0V

```

## Galleggianti opzionali (decollo e atterraggio sull'acqua)

**IMPORTANTE:** si consiglia di volare con i galleggianti solo quando si è a proprio agio a volare in modalità Esperto.

I galleggianti vanno usati solo se ci si sente a proprio agio nel far volare l'aeromodello e se si ha già accumulato esperienza di decollo, volo e atterraggio con successo. Decollare dall'acqua comporta maggiori rischi perché l'elettronica del modello può guastarsi se si finisce per essere completamente immersa in acqua.

I galleggianti opzionali e i relativi cavi di montaggio (HBZ7390) sono venduti separatamente.

Assicurarsi sempre che i galleggianti siano fissati alla fusoliera prima di mettere l'aeromodello in acqua.

Decollo dall'acqua:

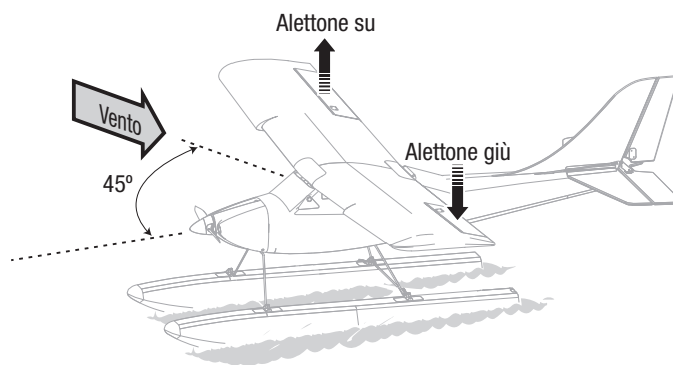
1. Dare lentamente motore, governando con il timone per mantenere l'aeromodello dritto e controvento. Non aumentare troppo rapidamente la potenza, poiché la coppia del motore potrebbe far rollare l'aeromodello verso sinistra mentre naviga sull'acqua.
2. Tenere leggermente alzato l'equilibratore (1/4–1/3) e l'aeromodello decollerà una volta raggiunta la velocità di involo.
3. Mantenere le ali a livello in fase di decollo.

Per atterrare sull'acqua, portare il modello in volo a meno di un metro dalla superficie dell'acqua. Ridurre il gas e dare elevatore su per richiamare il modello.

Durante il rullaggio, utilizzare il gas per muovere il modello in avanti e mantenere la direzione con lo stick del timone. Lo stick azionerà sia il timone dell'aeromodello che un piccolo timone fissato al galleggiante di sinistra.

Evitare il rullaggio con vento laterale in presenza di brezza, in quanto ciò può provocare il capovolgimento dell'aeromodello se il vento spinge dal disotto l'ala sopravvento. Rullare a 45° nella direzione del vento (non perpendicolarmente al vento) e usare gli alettoni per tenere l'ala sopravvento giù. Il modello tenderà a prendere naturalmente il vento durante il rullaggio.

Asciugare sempre completamente l'aeromodello dopo l'atterraggio sull'acqua.



Rullare a 45° rispetto al vento.



**ATTENZIONE:** mai andare da soli a recuperare un aeromodello in acqua.



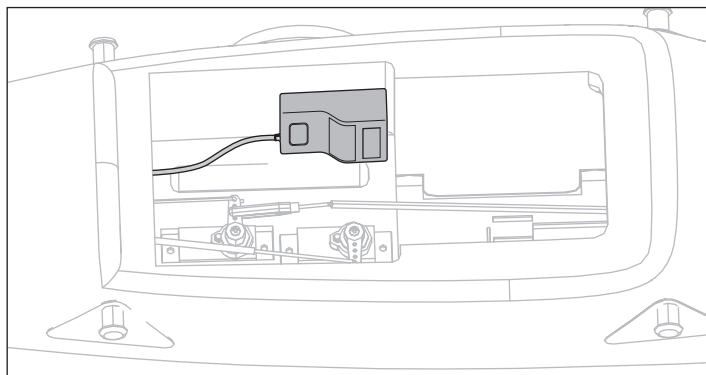
**ATTENZIONE:** se in qualunque momento, degli spruzzi d'acqua dovessero entrare nella fusoliera mentre si vola sull'acqua, portare l'aereo a riva, aprire lo sportello della batteria e togliere subito l'acqua entrata in fusoliera. Lasciare aperto lo sportello della batteria per tutta la notte per far evaporare completamente l'umidità finita all'interno ed evitare che vada a finire sui circuiti elettronici. In caso contrario, le componenti elettroniche potrebbero subire danni e causare malfunzionamenti con possibile caduta dell'aereo.

## Manutenzione e riparazioni

**AVVISO:** dopo un impatto o sostituzione, verificare che il ricevitore sia rimasto al suo **posto nella fusoliera**. Se è necessario sostituire il ricevitore, prestare attenzione a montare quello nuovo allo stesso modo e con lo stesso orientamento di quello originale, per evitare il rischio di danni.

Grazie al materiale in schiuma EPO nelle ali e nella fusoliera, per la riparazione del materiale espanso è possibile usare virtualmente qualsiasi adesivo (colla a caldo, normale colla CA (cianoacrilato), colla epossidica, ecc.).

Se le parti danneggiate non possono essere riparate, ordinare i ricambio utilizzando i codici riportati nell'apposito elenco. Per un elenco di tutte le parti di ricambio e opzionali, consultare la lista alla fine di questo manuale.



### Manutenzione dei componenti di potenza



**ATTENZIONE:** scollegare sempre la batteria di bordo dal modello prima di rimuovere l'elica.

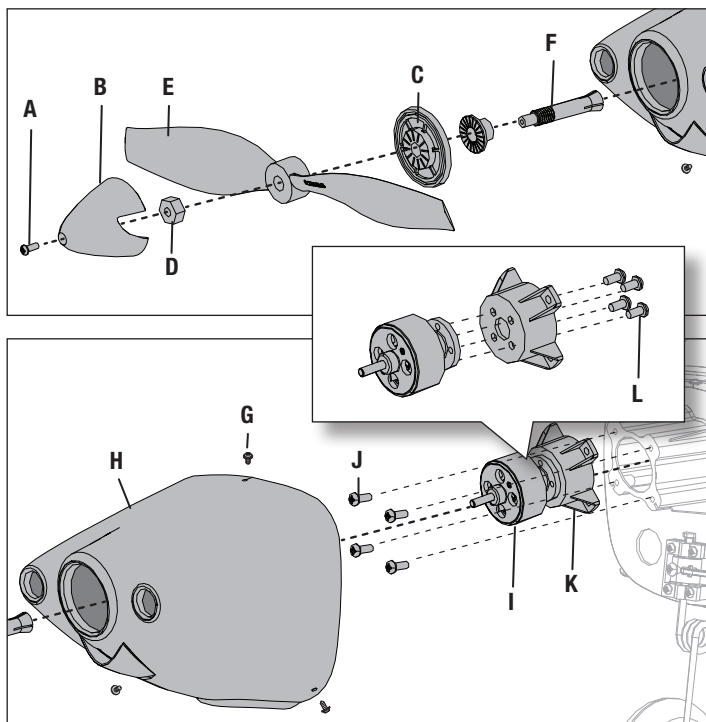
#### Smontaggio

1. Rimuovere la vite (A) e l'ogiva (B) dall'albero dell'elica (C).
2. Rimuovere il dado esagonale (D), l'elica (E) e la piastra posteriore dell'ogiva dal collarino (F). Per rimuovere il dado esagonale potrebbe essere necessaria una chiave.
3. Rimuovere con cautela 3 viti (G) e la cappottatura (H) dalla fusoliera.
4. Rimuovere il collarino dal motore (I).
5. Rimuovere le 4 viti (J) dal supporto motore (K) e dalla fusoliera.
6. Scollegare i connettori del motore dai connettori dell'ESC.
7. Rimuovere le 4 viti (L) per rimuovere il motore dal suo supporto.

Montare in ordine inverso.

#### Consigli per il montaggio

- Allineare e collegare i fili del motore con i fili dell'ESC rispettando la corrispondenza dei colori.
- I numeri indicanti la misura dell'elica (8,25 x 5,5) devono essere rivolti in direzione opposta a quella del motore per consentire il corretto funzionamento dell'elica.
- Assicurarsi che l'ogiva sia completamente fissata alla piastra posteriore dell'ogiva per garantirne la sicurezza d'uso.



### Impostazioni dei bracci dei servo e delle squadrette di controllo

**AVVISO:** spostare un leveraggio in un'altra posizione può bloccare il braccio del servo o compromettere il funzionamento della tecnologia SAFE.

La figura mostra le impostazioni dei fori di fabbrica nei bracci dei servo e delle squadrette.

	Equilibratore	Alettoni	Timone
Bracci			
Squadrette			

## Guida alla soluzione dei problemi per la tecnologia SAFE

Problema	Possibile causa	Soluzione
Oscillazioni	Volo oltre la velocità consigliata	Ridurre la velocità
	Elica od ogiva danneggiate	Sostituire l'elica o l'ogiva
	Elica sbilanciata	Bilanciare l'elica. Si veda il video specifico su <a href="http://www.horizonhobby.com">www.horizonhobby.com</a>
	Vibrazioni del motore	Sostituire o allineare correttamente tutte le parti stringendo le relative viti
	Ricevitore non fissato bene	Sistemare e fissare adeguatamente il ricevitore
	Controlli allentati	Verificare e fissare bene tutte le parti (servi, squadrette, comandi, ecc.)
	Parti usurate	Regolare la sensibilità per compensare l'usura o sostituire le parti difettose (eliche, snodi, servi, ecc.)
Rotazione irregolare dei servi	Sostituire i servi interessati	
Il trim è estremo e il aereo no volare dritto o livellato	Il trim non è al centro	Se fosse necessario spostare il trim per più di 4 klik, allora conviene regolare la forcella e riportare il trim al centro

## Guida alla soluzione dei problemi

Problema	Possibile causa	Soluzione
L'aereo non risponde al comando motore, ma gli altri comandi rispondono	Lo stick motore e/o il suo trim non sono posizionati in basso	Resettare i comandi con stick e trim motore completamente in basso
	La corsa del servo è minore del 100%	Regolare la corsa ad almeno il 100%
	Il canale del motore è invertito	Invertire il canale del motore
	Il motore è scollegato dal ricevitore	Verificare all'interno della fusoliera che il motore sia collegato al ricevitore
Rumore e vibrazioni dell'elica oltre la norma	Elica, motore, ogiva, adattatore danneggiati	Sostituire le parti danneggiate
	L'elica è sbilanciata	Bilanciare o sostituire l'elica
	Il dado dell'elica si è allentato	Stringere il dado dell'elica
	L'ogiva non è ben stretta o perfettamente adattata	Stringere l'ogiva o toglierla e rimetterla dopo averla girata di 180°
Durata del volo ridotta o aereo sottopotenziato	Batteria di bordo quasi scarica	Ricaricare la batteria di bordo
	Elica montata al contrario	Montare l'elica nel verso giusto
	Batteria di bordo danneggiata	Sostituire la batteria di bordo e seguire le istruzioni
	Ambiente di volo troppo freddo	Verificare che la batteria sia tiepida prima del volo
	La capacità della batteria è troppo bassa per le condizioni di volo	Sostituire la batteria con una più grande
L'aereo non si connette (durante il "binding") al trasmettitore	Il trasmettitore è troppo vicino all'aereo durante la procedura	Spegnere il trasmettitore e allontanarlo maggiormente dall'aereo e poi rifare la procedura
	Il trasmettitore è troppo vicino a grossi oggetti metallici, a sorgenti WiFi o ad altri trasmettitori	Spostare l'aereo e il trasmettitore in un'altra posizione e poi rifare la procedura
	Il "bind plug" non è stato inserito correttamente	Inserire correttamente il "bind plug" e poi rifare la procedura
	Le batterie di trasmettitore/ricevitore sono quasi scariche	Sostituire/ricaricare le batterie
	Il pulsante o l'interruttore appositi non sono stati trattenuti in posizione, abbastanza a lungo, durante la procedura	Spegnere il trasmettitore e rifare la procedura trattenendo più a lungo il pulsante o l'interruttore appositi
L'aereo non si connette (dopo il "binding") al trasmettitore	Il trasmettitore è troppo vicino all'aereo durante la procedura	Spegnere il trasmettitore e allontanarlo maggiormente dall'aereo e poi rifare la procedura
	Il trasmettitore è troppo vicino a grossi oggetti metallici, a sorgenti WiFi o ad altri trasmettitori	Spostare l'aereo e il trasmettitore in un'altra posizione e poi rifare la procedura
	Il "bind plug" è rimasto inserito nella sua porta	Rifare la procedura e poi togliere il "bind plug" prima di spegnere e riaccendere
	L'aereo è connesso con una memoria diversa (solo radio ModelMatch)	Scegliere la memoria giusta sul trasmettitore e rifare la procedura
	Le batterie dell'aereo e del trasmettitore sono quasi scariche	Sostituire o ricaricare le batterie
	Il trasmettitore è stato connesso usando dei protocolli DSM differenti	Connettere l'aereo al trasmettitore



Problema	Possibile causa	Soluzione
Le superfici di controllo non si muovono	Superfici di comando, squadrette, comandi o servi danneggiati	Riparare o sostituire le parti danneggiate
	Fili danneggiati o connessioni allentate	Controllare i fili e le connessioni facendo poi le debite riparazioni
	Trasmittitore non connesso correttamente o scelta del modello sbagliato	Scegliere il modello giusto o rifare la connessione
	La batteria di bordo è scarica	Ricaricare completamente la batteria di bordo
	Il BEC del regolatore (ESC) è danneggiato	Sostituire l'ESC
Controlli invertiti	Le impostazioni sul trasmettitore sono invertite	Eseguire il controllo sulla direzione dei comandi e sistemare adeguatamente il trasmettitore
Le superfici mobili del modello non si muovono dopo averlo acceso	Il modello è stato mosso durante le operazioni di accensione	Mantenere il modello fermo durante le operazioni di accensione

## Parti di ricambio

Parte #	Descrizione
EFLA1030FB	ESC 30 A con telemetria
HBZ3101	Set ali
HBZ3102	Fusoliera
HBZ3103	Set coda
HBZ3104	Cappottatura
HBZ3105	Set aste di comando
HBZ3106	Carrello anteriore
HBZ3107	Carrello principale
HBZ3108	Tagliafiamma e supporto motore
HBZ3109	Leva sterzo carrello anteriore
HBZ3110	Sportello batteria
HBZ3111	Ruote, 58 mm (3)
HBZ3114	Ogiva, 34 mm
HBZ3115	Set squadrette
HBZ3116	Adattatore elica
HBZ3118	Set decalcomanie
SPMAR631	Ricevitore AR631 6 CH AS3X/SAFE
SPMR1010	DXS solo trasmittente
SPMSA381	Servo sub-micro 9 g: cavo 400 mm
SPMSA382	Servo sub-micro mg 14 g, cavo 240 mm
SPMX13003S30M	1300 mAh 3S 11,1 V Smart 30C LiPo; IC3
SPMXAM1900	2832-1300 Kv 14 poli
SPMXC1020	Caricabatterie Smart S120 USB-C, 1x20 W

## Parti consigliate

Parte #	Descrizione
SPMXPSA200	Smart G2 Air Powerstage 2

## Parti opzionali

Parte #	Descrizione
HBZ3113	Cavi montaggio galleggianti: MiniApprentice
HBZ7390	Set galleggianti
SPMR6775	NX6 6 CH solo trasmittente
RFL1205	Simulatore di volo RC RealFlight Trainer Edition
SPMWS2000	Dongle USB simulatore wireless WS2000
SPMXPSA3	Smart Powerstage Aircraft 3S Bundle
SPMXC1070	Caricabatterie Smart S150 AC/DC 1x50 W
SPMXBC100	Tester servo e batterie Smart
SPMXC2050	Caricabatterie Smart S155 G2 1x55W AC

## Bulloneria

Posizione	Descrizione	Quantità
Ogiva	Vite 2,5 x 5 mm	1
Cappottatura	Vite autofilettante M2 x 4 mm	3
Supporto motore	Vite autofilettante M3 x 8 mm	4
Motore	Vite M3 x 6mm	4
Fascetta carrello anteriore	Vite autofilettante M2.5 x 8 mm	4
Vite set carrello anteriore	Vite M3 x 6mm	1
Fascette carrello atterraggio	Vite autofilettante M2.5 x 8 mm	8
Collarino ruota	Vite M2.5 x 4 mm	3
Stabilizzatore verticale	Vite autofilettante M2.5 x 8 mm	2
Squadrette di controllo	Vite M2 x 8 mm	8

## Glossario dei termini importanti

**Alettone:** superficie di controllo che si trova sul bordo di uscita di ciascuna ala. Applicare alettone a destra significa muovere l'alettone destro verso l'alto e l'alettone sinistro verso il basso, facendo rollare l'aeromodello verso destra. Applicare alettone a sinistra significa muovere l'alettone sinistro verso l'alto e l'alettone destro verso il basso, facendo rollare l'aeromodello verso sinistra.

**AS3X:** Active Stabilization, 3-Axis = stabilizzazione attiva a 3 assi. Sistema elettronico di stabilità che contrasta le forze esterne come il vento, turbolenze, coppia, stallo di estremità e i problemi di sensibilità dei comandi dovuti alla posizione del CG, rendendo il volo dell'aeromodello più dolce e migliorando così l'esperienza di pilotaggio.

**Binding:** il processo di accoppiamento elettronico tra trasmittente e ricevitore. L'aeromodello riconosce così solo quella particolare trasmittente a cui è associato.

**Baricentro (CG):** punto di bilanciamento dell'aeromodello si bilancia, in particolare da davanti al retro.

**Forcella:** il connettore a forma di U all'estremità dell'asta di comando dell'aeromodello che permette la regolazione della lunghezza dell'asta di comando.

**Corsa di comando:** la distanza di deflessione di una superficie di controllo, normalmente misurata dal punto più largo della superficie di controllo.

**Diedro:** Angolo positivo o altro dell'ala dalla radice alare alla punta. Aggiungere un diedro all'ala migliora la stabilità nell'asse di rollio.

**Dual Rate:** impostazione che si trova nella trasmittente e che permette due diverse distanze di corsa di comando quando lo stick di controllo viene completamente deflesso. Un rateo basso riduce la corsa di comando alla massima deflessione e quindi produce una maggiore reattività dei comandi. Un rateo alto aumenta la corsa di comando alla massima deflessione e quindi produce una sensazione di maggiore reattività.

**Equilibratore:** superficie di controllo che si trova sul bordo di uscita dello stabilizzatore orizzontale. Sollevare l'equilibratore provoca il beccheggio dell'aeromodello verso l'alto. Abbassare l'equilibratore provoca il beccheggio dell'aeromodello verso il basso.

**Controllo elettronico della velocità (ESC):** dispositivo elettronico che controlla e regola la velocità del motore. È collegato alla batteria, al motore e al ricevitore.

**Esponenziale:** un'impostazione programmata nella trasmittente che permette al pilota di adattare la sensibilità dei comandi attorno alla posizione neutra. Aumentare il valore dell'esponenziale crea una sensazione di controllo più morbida attorno alla posizione neutra, rendendo così l'aeromodello meno sensibile agli input di comando. L'esponenziale ha effetto solo sui comandi attorno alla posizione neutra.

## Garanzia

**Periodo di garanzia**— Garanzia esclusiva - Horizon Hobby, LLC (Horizon) garantisce che il prodotto acquistato (il "Prodotto") sarà privo di difetti relativi ai materiali e di eventuali errori di montaggio alla data di acquisto. Il periodo di garanzia è conforme alle disposizioni legali del paese nel quale il prodotto è stato acquistato. Tale periodo di garanzia ammonta a 6 mesi e si estende ad altri 18 mesi dopo tale termine.

**Limiti della garanzia**— (a) La garanzia è limitata all'acquirente originale (Acquirente) e non è cedibile a terzi. L'acquirente ha il diritto a far riparare o a far sostituire la merce durante il periodo di questa garanzia. La garanzia copre solo quei prodotti acquistati presso un rivenditore autorizzato Horizon. Altre transazioni di terze parti non sono coperte da questa garanzia. La prova di acquisto è necessaria per far valere il diritto di garanzia. Inoltre, Horizon si riserva il diritto di cambiare o modificare i termini di questa garanzia senza alcun preavviso e di escludere tutte le altre garanzie già esistenti.

(b) Horizon non si assume alcuna garanzia per la disponibilità del prodotto, per l'adeguatezza o l'idoneità del prodotto a particolari previsti dall'utente. È sola responsabilità dell'acquirente il fatto di verificare se il prodotto è adatto agli scopi da lui previsti.

**Protezione da bassa tensione (LVC):** una funzione di sicurezza incorporata nel regolatore elettronico della velocità che si attiva quando la tensione della batteria scende sotto un determinato livello, interrompendo l'alimentazione al motore, ma continuando a fornire energia al ricevitore e al servo, permettendo così all'aeromodello di atterrare in sicurezza.

**Beccheggio:** la rotazione del muso dell'aeromodello verso l'alto o verso il basso, controllata dall'equilibratore.

**Test di portata:** test per verificare che trasmittente e ricevitore funzionino correttamente. Il test viene effettuato impostando la trasmittente su una modalità a bassa potenza e testando le funzioni di controllo da una determinata distanza.

**Ricevitore:** dispositivo elettronico installato a bordo dell'aeromodello che decodifica gli input di comando inviati dalla trasmittente e li ritrasmette al servo.

**Rollio:** rotazione sinistra e destra dell'aeromodello intorno all'asse longitudinale.

**Timone:** superficie di controllo posta sul bordo di uscita dello stabilizzatore verticale. Dare timone a destra fa girare il muso dell'aeromodello a destra. Dare timone a sinistra fa girare il muso dell'aeromodello a sinistra.

**Tecnologia SAFE (Sensor-Assisted Flight Envelope):** rende più dolce il comportamento in volo dell'aeromodello compensando automaticamente il vento e offre più modalità in modo da poter volare con il livello di protezione e assistenza più adatto in ogni condizione.

**Servo:** componente elettronico che trasforma i segnali di controllo inviati dal ricevitore nel movimento di una superficie di controllo. Il servo è collegato alla superficie di controllo tramite un'asta di comando.

**Manetta:** ingresso di controllo che regola la velocità del motore. Portare la manetta in alto accelera il regime di rotazione del motore, aumentando così la spinta in avanti. Portare la manetta più in basso riduce il regime di rotazione del motore, riducendo così la spinta in avanti.

**Trasmittente:** unità di controllo con la quale il pilota invia segnali di pilotaggio all'aeromodello.

**Imbardata:** rotazione a sinistra o a destra del muso dell'aeromodello, controllata dal timone.

(c) Richiesta dell'acquirente – spetta soltanto a Horizon, a propria discrezione riparare o sostituire qualsiasi prodotto considerato difettoso e che rientra nei termini di garanzia. Queste sono le uniche rivalve a cui l'acquirente si può appellare, se un prodotto è difettoso.

Horizon si riserva il diritto di controllare qualsiasi componente utilizzato che viene coinvolto nella rivalva di garanzia. Le decisioni relative alla sostituzione o alla riparazione sono a discrezione di Horizon. Questa garanzia non copre dei danni superficiali o danni per cause di forza maggiore, uso errato del prodotto, un utilizzo che viola qualsiasi legge, regolamentazione o disposizione applicabile, negligenza, uso ai fini commerciali, o una qualsiasi modifica a qualsiasi parte del prodotto.

Questa garanzia non copre danni dovuti ad un'installazione errata, ad un funzionamento errato, ad una manutenzione o un tentativo di riparazione non idonei a cura di soggetti diversi da Horizon. La restituzione del prodotto a cura dell'acquirente, o da un suo rappresentante, deve essere approvata per iscritto dalla Horizon.

**Limiti di danno**— Horizon non si riterrà responsabile per danni speciali, diretti, indiretti o consequenziali; perdita di profitto o di produzione; perdita commerciale connessa al prodotto, indipendentemente dal fatto che la

richiesta si basa su un contratto o sulla garanzia. Inoltre la responsabilità di Horizon non supera mai in nessun caso il prezzo di acquisto del prodotto per il quale si chiede la responsabilità. Horizon non ha alcun controllo sul montaggio, sull'utilizzo o sulla manutenzione del prodotto o di combinazioni di vari prodotti. Quindi Horizon non accetta nessuna responsabilità per danni o lesioni derivanti da tali circostanze. Con l'utilizzo e il montaggio del prodotto l'utente acconsente a tutte le condizioni, limitazioni e riserve di garanzia citate in questa sede.

Qualora l'utente non fosse pronto ad assumersi tale responsabilità associata all'uso del prodotto, si suggerisce di restituire il prodotto intatto, mai usato e immediatamente presso il venditore.

**Indicazioni di sicurezza**— Questo è un prodotto sofisticato di hobbistica e non è un giocattolo. Esso deve essere manipolato con cautela, con giudizio e richiede delle conoscenze basilari di meccanica e delle facoltà mentali di base. Se il prodotto non verrà manipolato in maniera sicura e responsabile potrebbero risultare delle lesioni, dei gravi danni a persone, al prodotto o all'ambiente circostante. Questo prodotto non è concepito per essere usato dai bambini senza una diretta supervisione di un adulto. Il manuale del prodotto contiene le istruzioni di sicurezza, di funzionamento e di manutenzione del prodotto stesso. È fondamentale leggere e seguire tutte le istruzioni e le avvertenze nel manuale prima di mettere in funzione il prodotto. Solo così si eviterà un utilizzo errato e si eviteranno incidenti, lesioni o danni.

**Domande, assistenza e riparazioni**— Il vostro negozio locale e/o luogo di acquisto non possono fornire garanzie di assistenza o riparazione senza previo colloquio con Horizon. Questo vale anche per le riparazioni in garanzia. Quindi in tale caso bisogna interpellare un rivenditore, che si metterà in contatto subito con Horizon per prendere una decisione che vi possa aiutare nel più breve tempo possibile.

**Manutenzione e riparazione**— Se il prodotto deve essere ispezionato o riparato, si prega di rivolgersi ad un rivenditore specializzato o direttamente ad Horizon. Il prodotto deve essere imballato con cura. Bisogna far notare che i box originali solitamente non sono adatti per effettuare una spedizione senza subire alcun danno. Bisogna effettuare una spedizione via corriere che fornisce una tracciabilità e un'assicurazione, in quanto Horizon non si assume alcuna responsabilità in relazione alla spedizione del prodotto. Inserire il prodotto in una busta assieme ad una descrizione dettagliata degli errori e ad una lista di tutti i singoli componenti spediti. Inoltre abbiamo bisogno di un indirizzo completo, di un numero di telefono per chiedere ulteriori domande e di un indirizzo e-mail.

**Garanzia e riparazione**— Le richieste in garanzia verranno elaborate solo se è presente una prova d'acquisto in originale proveniente da un rivenditore specializzato autorizzato, nella quale è ben visibile la data di acquisto. Se la garanzia viene confermata, allora il prodotto verrà riparato o sostituito. Questa decisione spetta esclusivamente a Horizon Hobby.

**Riparazioni a pagamento**— Se bisogna effettuare una riparazione a pagamento, effettueremo un preventivo che verrà inoltrato al vostro rivenditore. La riparazione verrà effettuata dopo l'autorizzazione da parte del vostro rivenditore. La somma per la riparazione dovrà essere pagata al vostro rivenditore. Le riparazioni a pagamento avranno un costo minimo di 30 minuti di lavoro e in fattura includeranno le spese di restituzione. Qualsiasi riparazione non pagata e non richiesta entro 90 giorni verrà considerata abbandonata e verrà gestita di conseguenza.

**ATTENZIONE: Le riparazioni a pagamento sono disponibili solo sull'elettronica e sui motori. Le riparazioni a livello meccanico, soprattutto per gli elicotteri e le vetture RC, sono molto costose e devono essere effettuate autonomamente dall'acquirente.**

10/15

## Garanzia e Assistenza - Informazioni per i contatti

Stato di acquisto	Horizon Hobby	Telefono/Indirizzo e-mail	Indirizzo
Unione Europea	Horizon Technischer Service Sales: Horizon Hobby GmbH	service@horizonhobby.de +49 (0) 4121 2655 100	Hanskampring 9 D 22885 Barsbüttel, Germany

## Dichiarazione di conformità per l'Unione europea

**CE** Dichiarazione di conformità UE:  
**HBZ Apprentice S 2 1.2m RTF (HBZ310001)**; Con la presente, Horizon Hobby, LLC dichiara che il dispositivo è conforme a quanto segue: Direttiva europea sulle apparecchiature radio (RED) 2014/53/UE; Direttiva europea sulla compatibilità elettromagnetica (EMC) 2014/30/UE; Direttiva RoHS 2 2011/65 / UE; Direttiva RoHS 3 - Modifica 2011/65 / UE allegato II 2015/863.

**NOTA:** questo prodotto contiene batterie coperte dalla direttiva europea 2006/66 / CE, che non possono essere smaltite con i rifiuti domestici. Attenersi alle normative locali.

**HBZ Apprentice S 2 1.2m BNF (HBZ315001)**; Con la presente, Horizon Hobby, LLC dichiara che il dispositivo è conforme a quanto segue: Direttiva europea sulle apparecchiature radio (RED) 2014/53/UE; Direttiva europea sulla compatibilità elettromagnetica (EMC) 2014/30/UE; Direttiva RoHS 2 2011/65 / UE; Direttiva RoHS 3 - Modifica 2011/65 / UE allegato II 2015/863.

Il testo completo della dichiarazione di conformità UE è disponibile al seguente indirizzo internet: <https://www.horizonhobby.com/content/support-rendercompliance>.

**Range di frequenze wireless e potenza di uscita wireless:**

**Trasmittitore**

2402.0 - 2478.0MHz  
17.7 dBm

**Ricevitore:**

2404-2476MHz  
5.58dBm

**Fabbricante registrato UE:**

Horizon Hobby, LLC  
2904 Research Road  
Champaign, IL 61822 USA

**Importatore registrato UE:**

Horizon Hobby, GmbH  
Hanskampring 9  
22885 Barsbüttel Germany

**AVVISO RAEE:**



Questo dispositivo è marcato ai sensi della Direttiva europea 2012/19/UE riguardante i rifiuti di apparecchiature elettriche ed elettroniche (RAEE). Il simbolo indica che il prodotto non va smaltito insieme ai rifiuti domestici. Il prodotto deve essere consegnato agli appositi centri di raccolta per consentirne il recupero e il riciclaggio.



© 2022 Horizon Hobby, LLC

HobbyZone, the HobbyZone logo, Apprentice, SAFE, the SAFE logo, AS3X, DSM, DSM2, DSMX, IC3, Bind-N-Fly, the BNF logo, the Smart Technology logo, and the Horizon Hobby logo are trademarks or registered trademarks of Horizon Hobby, LLC. The Spektrum trademark is used with permission of Bachmann Industries, Inc.

US 8,672,726. US 9,056,667. US 9,753,457. US 10,078,329. US 9,930,567. US 10,419,970. US 10,849,013. CN201721563463.4. Other patents pending.

[www.horizonhobby.com](http://www.horizonhobby.com)

HBZ310001, HBZ315001